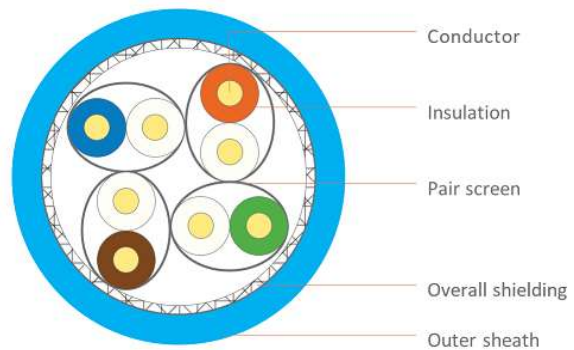
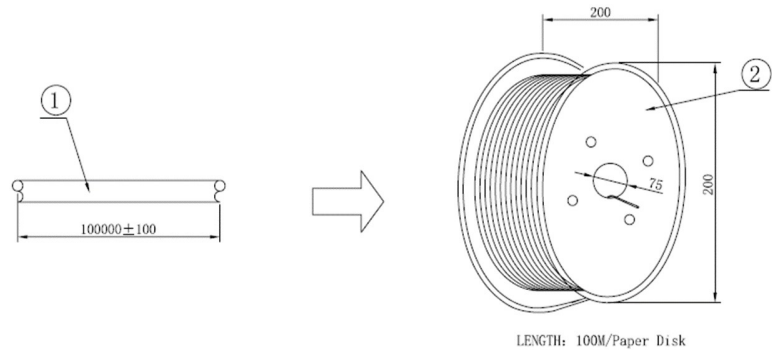


REVISED	DR	APP



CABLEMARKING: Cat. 8 S/FTP AWG 22/1 LSZH ANSI/TIA-568-C2 CE Euro-class B2ca NB 2479 <date> (metermarking)

**Standards**  
 Fluke DSX 8000 Channel Test 2 GHz  
 Class I according to ISO/IEC 11801-Series

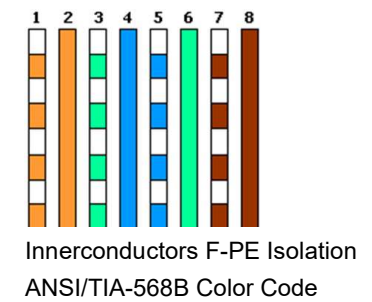
**Flame resistency**  
 Flame retardancy: IEC 60332-1-2  
 Halogen free: IEC 60754-1/2

Premium grade Class I copper data cable for structured premises cabling systems.

They are characterized by large performance reserves and outstanding quality.

It has excellent shielding efficiency due to individually screened pairs (PimF) and overall tinned copper braiding.

Suitable for applications up to Class I (2000MHz), Power over Ethernet (PoE)/PoE+, transmission of digital and analogue signals, video, data, voice, VoIP (Voice over IP), 40GbE acc.to IEEE 802.3bq.



1	CABLE	INNERCONDUCTOR AWG22 (0.618MM) SOLID BARE COPPER - PIMF, BRAIDING 40 x 0.12MM TC, OD = 8.2MM - LSZH - BLUE RAL 5015
2	WINDING	25M - 50M = RING & FOIL 100M = PAPER SPOOL 200M - 500M = WODDEN SPOOL
3	TECHNICAL PARAMETER	SYSTEMCABLE - S/FTP CAT.8 - UP TO 2000 MHZ - HALOGENFREE 2GHZ TOTAL 30M CHANNELLINK 24M+2*3M
NO	PART NAME	



**S-impuls** | S-Impuls Handels GmbH für audiovisuelle Produkte  
 Am Mühlberg 8 | 91477 Markt Bibart  
 fon +49 9162 | 98 96 - 0  
 fax +49 9162 | 98 96 - 21  
 mail info@s-impuls.de  
 http://www.s-impuls.de

DESCRIPTION		INSTALLATION CABLE CAT 8 S/FTP PIMF HAL. FREE					
SIZE	A4	DATE	17.02.2022	CHECKED		TOL	08-85031007
UNIT	MM	DRAWN	SIM	APPROVED			
CUSTOM TARIFF NO.: 85444920000							