

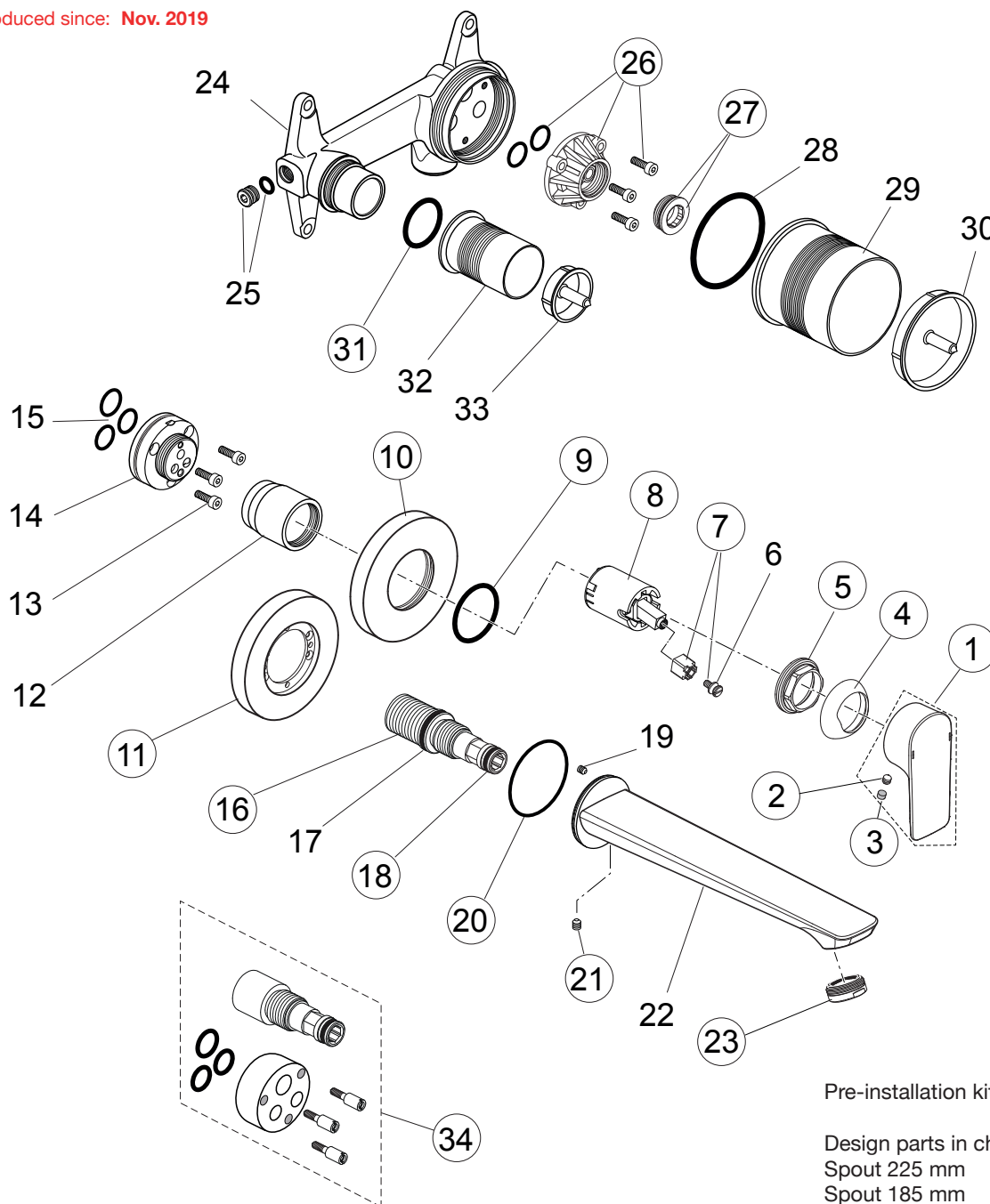


Connect Air

A7009.. A7029..

Ideal Standard

Produced since: **Nov. 2019**



Pre-installation kit 1 **A5948NU**

Design parts in chrome
Spout 225 mm **A7009AA**
Spout 185 mm **A7029AA**

Replace XX with the appropriate finish code

Chrome = AA Silver Storm = GN Gold = A2 Magnetic Grey = A5

Example spare part order:

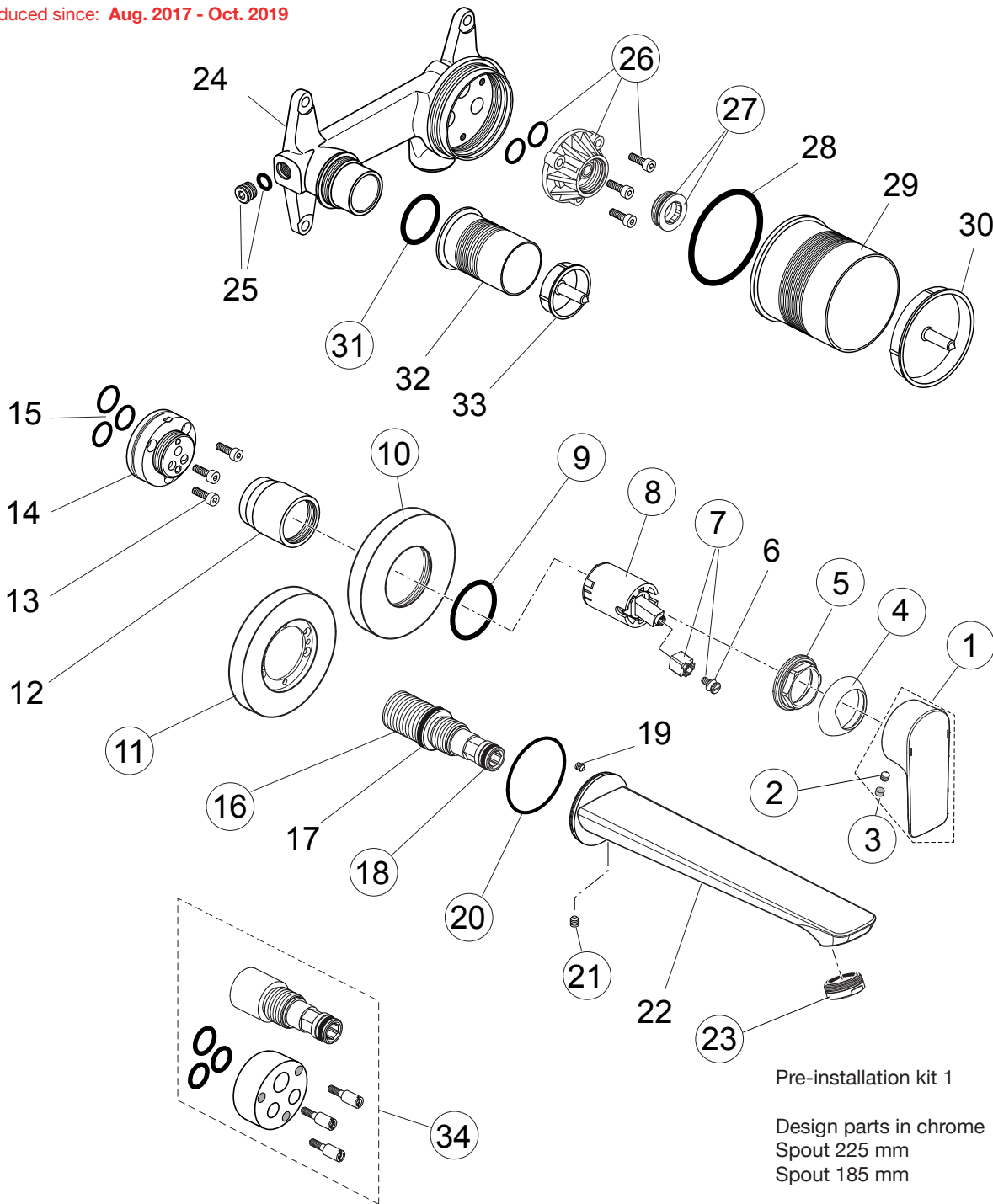
B 961 383 AA in Chrome

Pos.	Description	Part-Number	Qty.	Pos.	Description	Part-Number	Qty.
1	Lever cpl. marked red/blue	A 861 452 XX	1 Set	19	Thread pin M3x5		
2	Thread pin M5x6 DIN914	A 860 603 NU	1 pcs	20	O - Ring Ø 41 x 1,78	A 961 863 NU	1 pcs
3	Handle cap	A 861 453 NU*	1 Set	21	Thread pin M5x5	A 962 625 NU	3 pcs
4	Cover cap	A 861 080 XX	1 pcs	22	Spout		
5	Clamping nut M36 x 1	B 961 087 NU	1 pcs	23	Aerator M24x1-5l/min	B 961 383XX	1 pcs
6	Handle srew M4			24	Body (built-in)		
7	Handle insert + screw	B 961 086 NU	1 Set	25	Superior block M10x1		
8	Cartridge Kerox Ø28 + Pos 6	F 960 855 NU	1 Set	26	Flushing device complete	F 960 881 NU	1 Set
9	O - Ring Ø 40 x 3	H 962 197 NU*	1 Set	27	Plug with o-ring	A 963 548 NU	1 Set
10	Escutcheon with. Pos.9	A 861 234 XX	1 Set	28	O - ring Ø 54 x 2,5		
11	Escutcheon for spout	A 861 454 XX	1 pcs	29	Plaster guard for cartridge		
12	Sleeve with thread inside			30	Cover for pos. 34		
13	Cylindrical screw M4 x 12			31	O - ring Ø 26 x 2,5	A 860 845 NU	1 pcs
14	Insert			32	Plaster guard for spout		
15	O - ring set			33	Cover for pos. 37		
16	Connector nipple cpl.	A 861 270 NU	1 Set	34	Extension kit 20mm longer	F 960 867 NU	1 Set
17	O - ring Ø 19 x 2,5						
18	O - ring Ø 10 x 2	A 963 495 NU	2 pcs				

**Universal set (not all parts needed)*

Connect Air

Produced since: Aug. 2017 - Oct. 2019



Pre-installation kit 1 **A5948NU**

Design parts in chrome
 Spout 225 mm **A7009AA**
 Spout 185 mm **A7029AA**

Pos.	Description	Part-Number	Qty.	Pos.	Description	Part-Number	Qty.
1	Lever cpl. marked red/blue	A 861 233 AA	1 Set	19	Thread pin M3x5		
2	Thread pin M5x6 DIN914	A 860 603 NU	1 pcs	20	O - Ring Ø 41 x 1,78	A 961 863 NU	1 pcs
3	Handle cap	A 963 751 NU	1 pcs	21	Thread pin M5x5	A 962 625 NU	3 pcs
4	Cover cap	A 861 080 AA	1 pcs	22	Spout		
5	Clamping nut M36 x 1	B 961 087 NU	1 pcs	23	Aerator M24x1-5l/min w.key	A 861 069 NU	1 pcs
6	Handle srew M4			24	Body (built-in)		
7	Handle insert + screw	B 961 086 NU	1 Set	25	Superior block M10x1		
8	Cartridge Kerox Ø28 + Pos 6	F 960 855 NU	1 Set	26	Flushing device complete	F 960 881 NU	1 Set
9	O - Ring Ø 40 x 3	H 962 197 NU*	1 Set	27	Plug with o-ring	A 963 548 NU	1 Set
10	Escutcheon with. Pos.9	A 861 234 AA	1 Set	28	O - ring Ø 54 x 2,5		
11	Escutcheon for spout	F 961 009 AA	1 pcs	29	Plaster guard for cartridge		
12	Sleeve with thread inside			30	Cover for pos. 34		
13	Cylindrical screw M4 x 12			31	O - ring Ø 26 x 2,5	A 860 845 NU	1 pcs
14	Insert			32	Plaster guard for spout		
15	O - ring set			33	Cover for pos. 37		
16	Connector nipple cpl.	A 861 270 NU	1 Set	34	Extension kit 20mm longer	F 960 867 NU	1 Set
17	O - ring Ø 19 x 2,5						
18	O - ring Ø 10 x 2	A 963 495 NU	2 pcs				

*Universal set (not all parts needed)