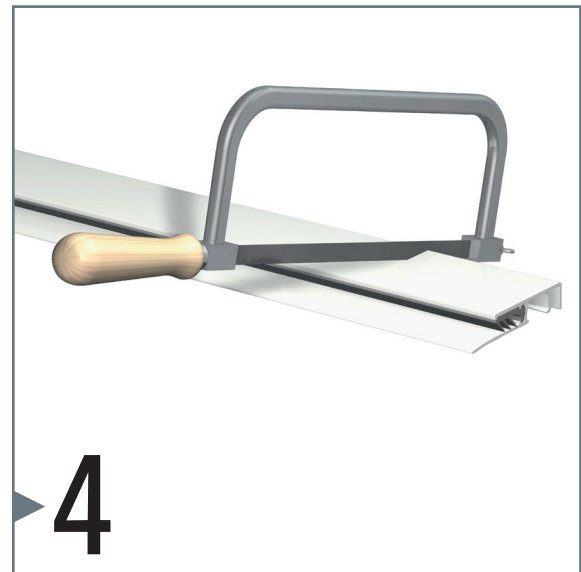
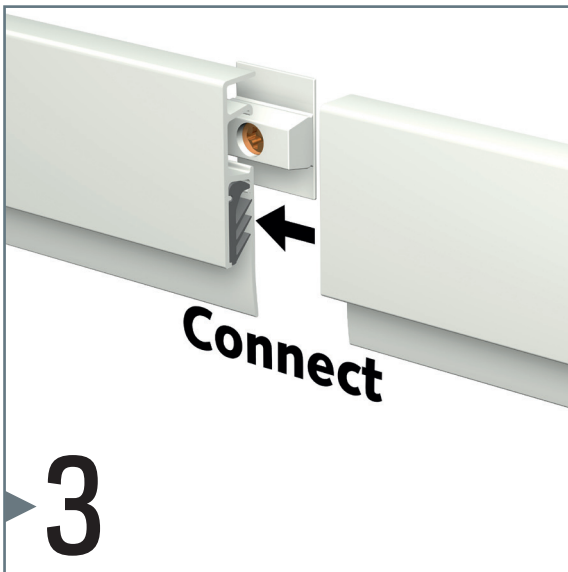
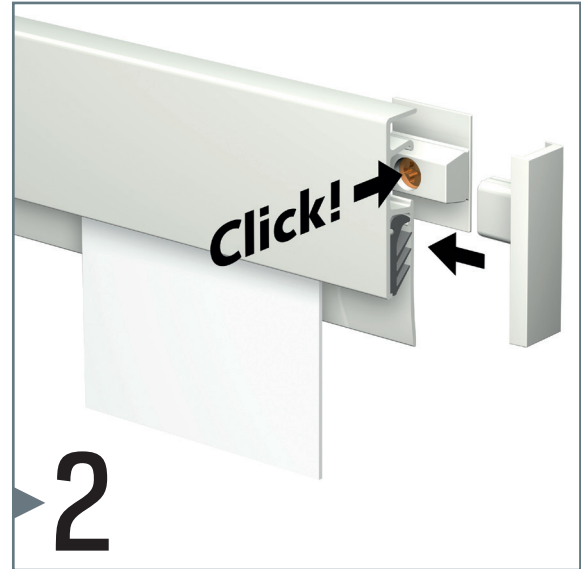
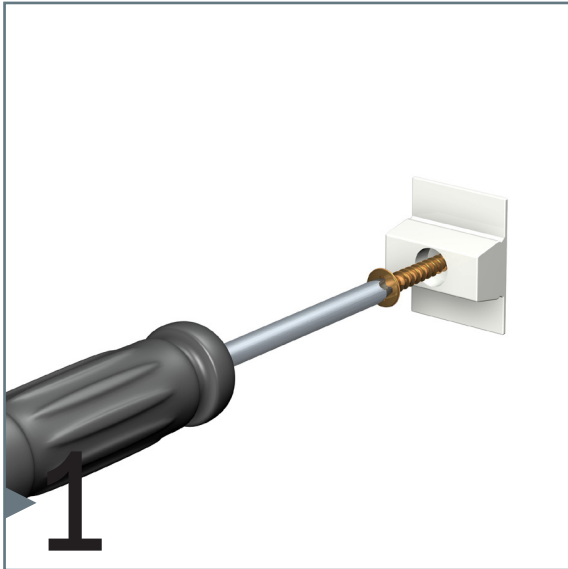


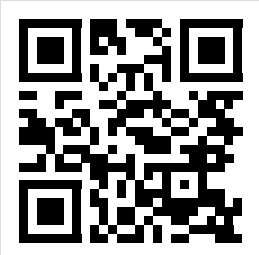
# INFO RAIL



3 CLIPS/M -  $>80GR$   $<2MM$



installation movie:



FLEXIBLE  
SAFE  
STRONG