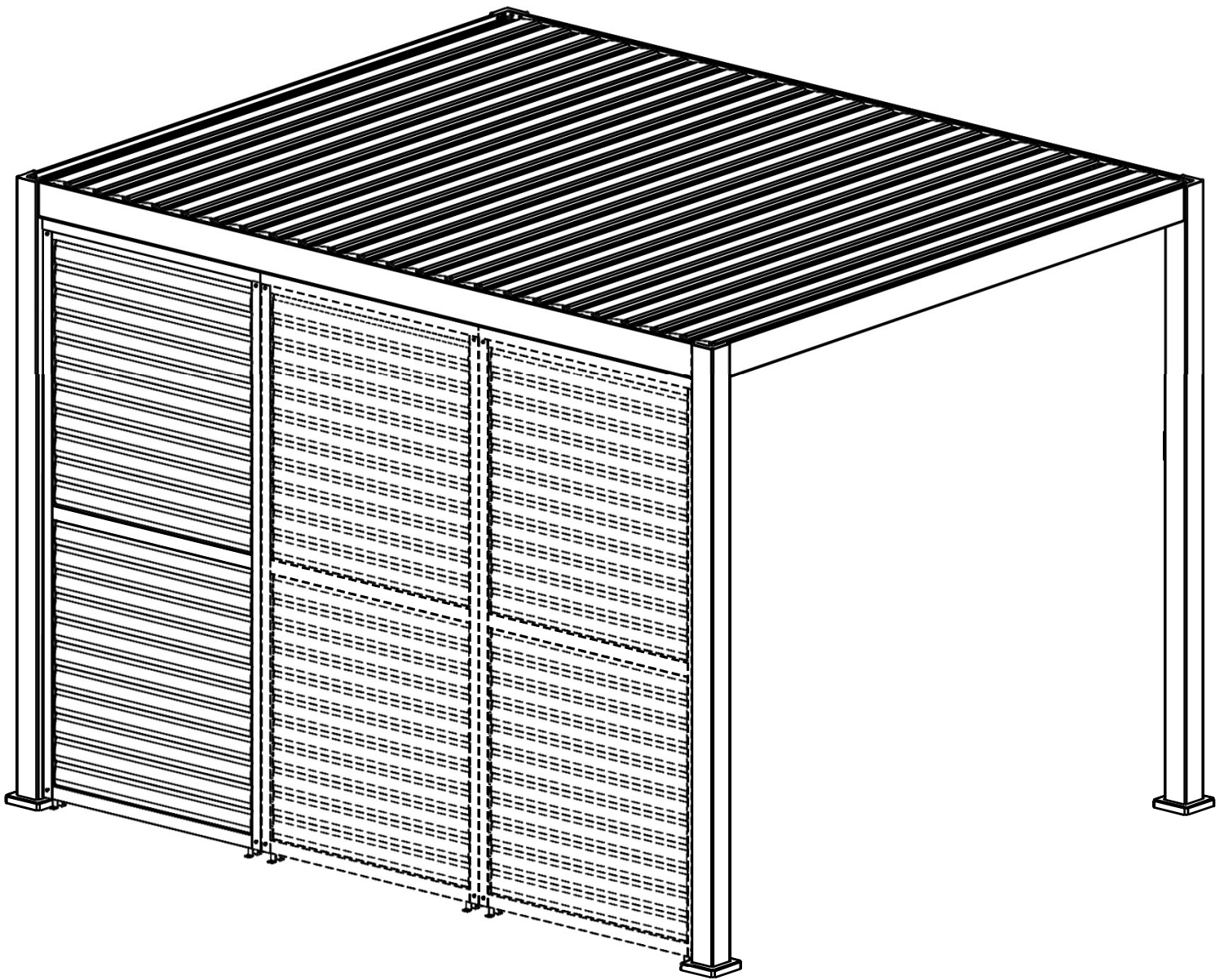


Fixed open close louvre wall



The tools you need:



Glove



Knife



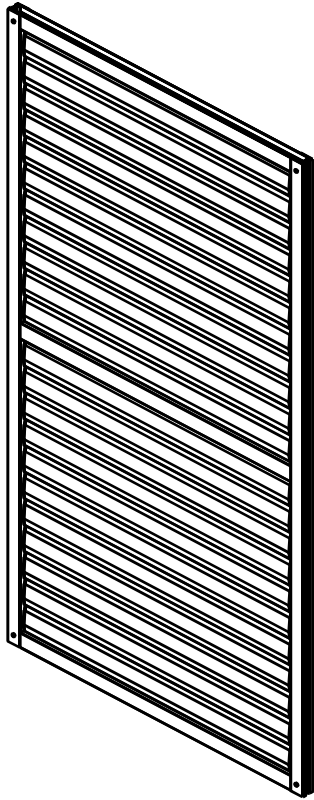
Safety hat



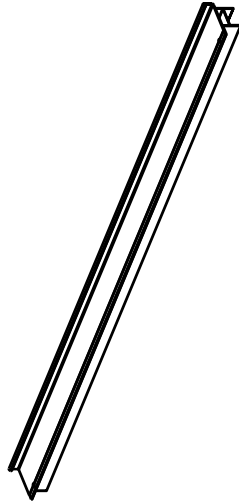
Electric screw driver



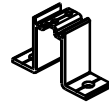
Percussion drill



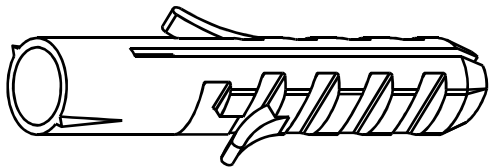
A x1



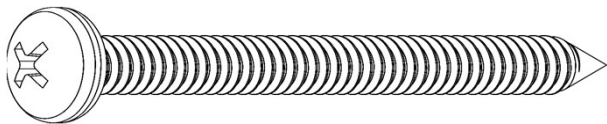
B x1



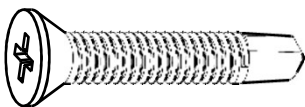
C x2



D x4



E x4



F x2

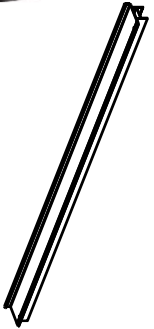


G x4





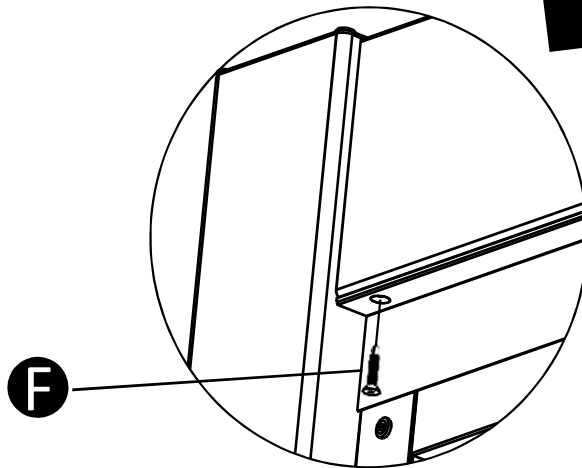
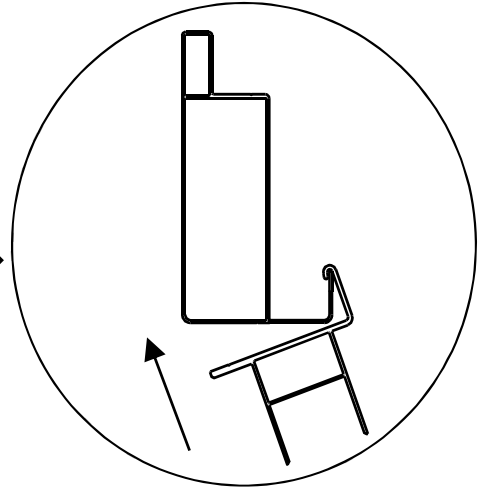
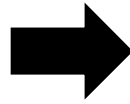
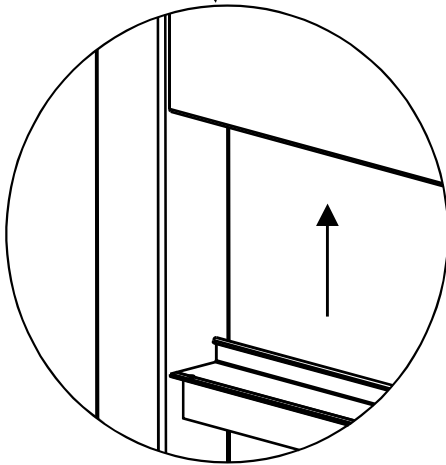
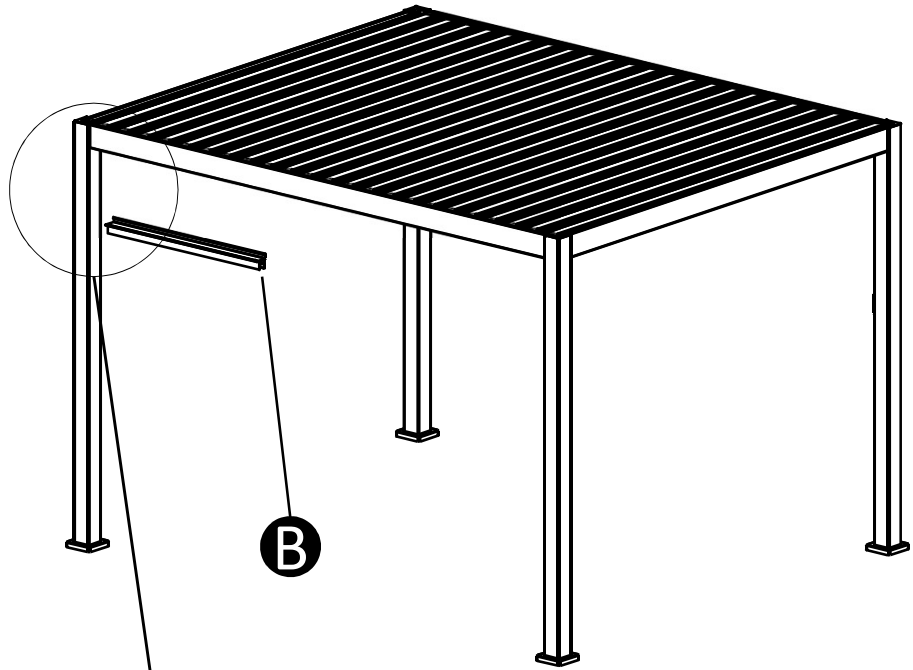
1

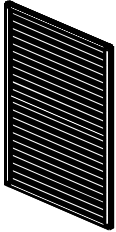


B x1



F x2

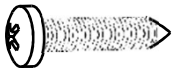




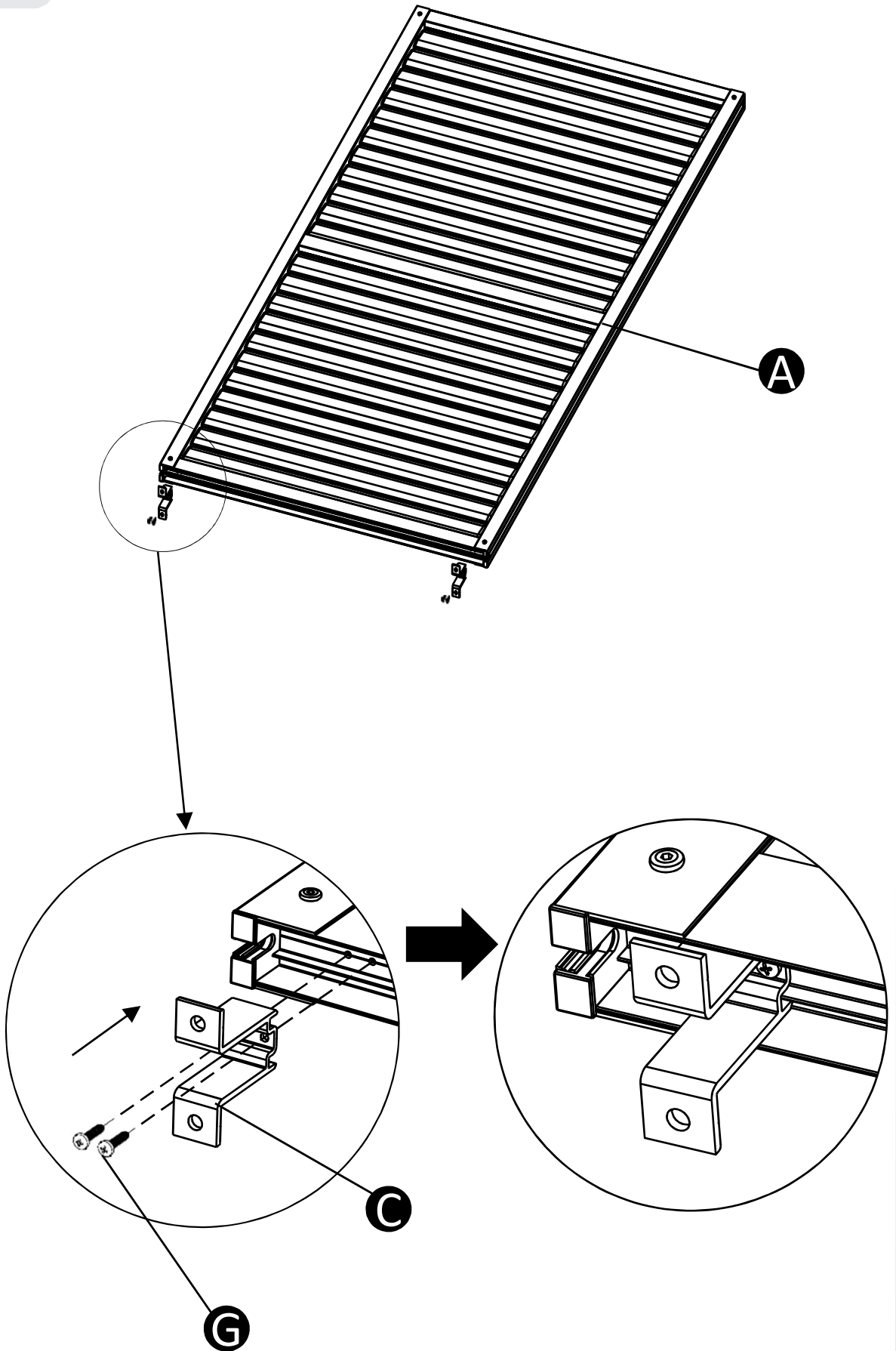
A x1



C x2

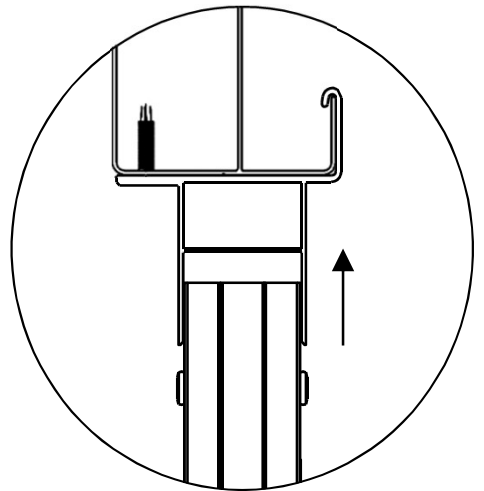
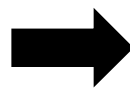
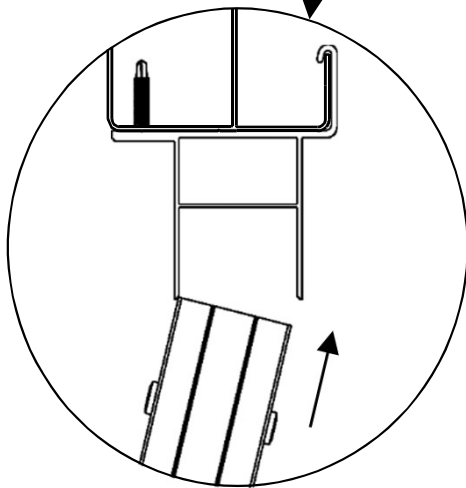
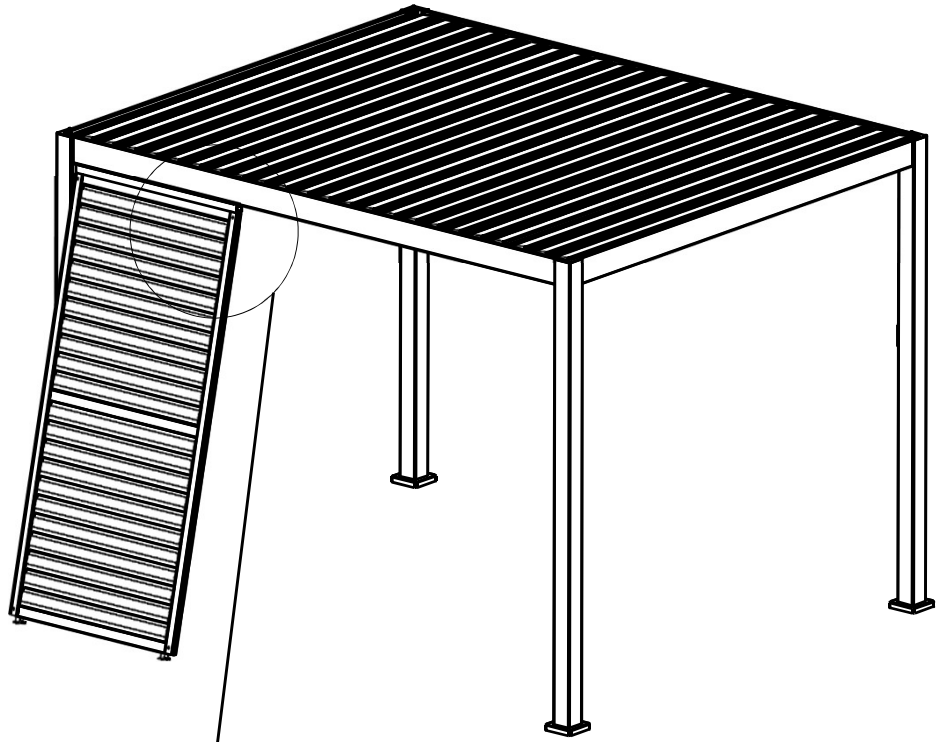


G x4



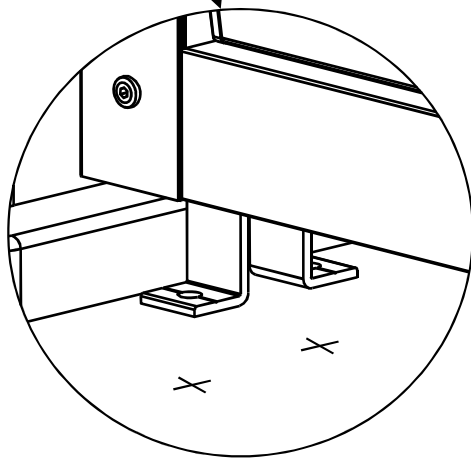
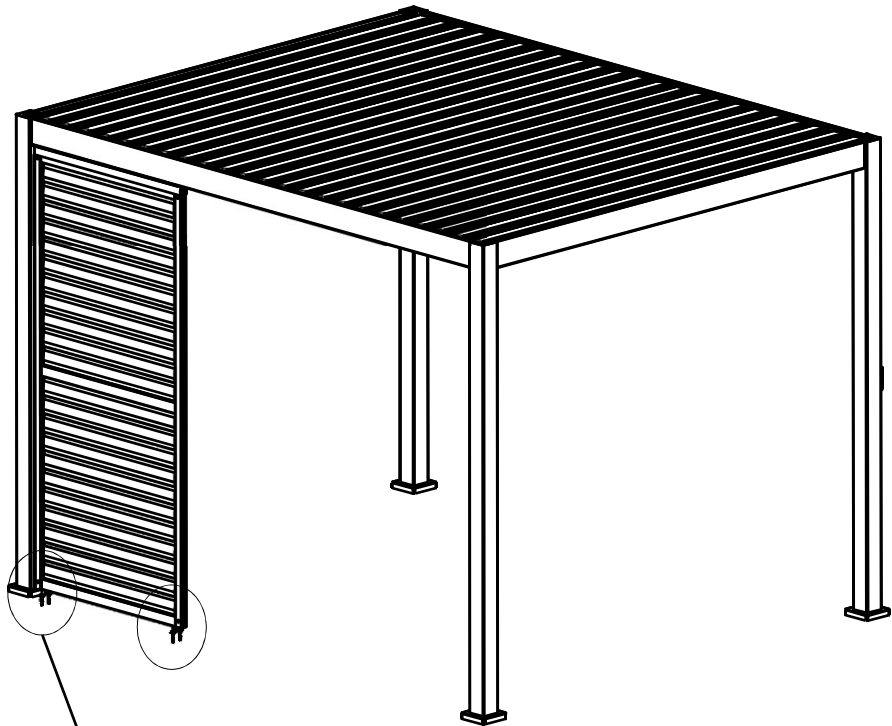


3

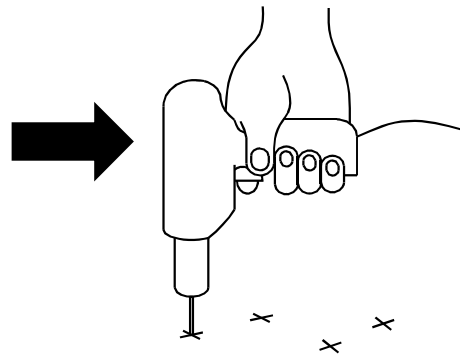




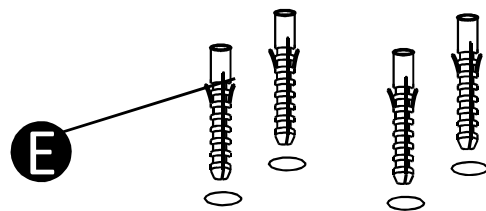
D x4

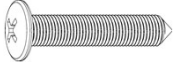


Draw lines, drill holes, tap in plastic expansion pipe.



If the floor is a wood floor, you don't need to knock in the plastic expansion pipe, directly use E to knock in the floor.





E x4

