

Massivholz-Haus



Art.-Nr.: 321.2020.20050

Art.-Nr.: 321.2520.20050

Art.-Nr.: 321.3020.20050

Art.-Nr.: 321.2525.20050

Art.-Nr.: 321.3025.20050

Montage-, Bedienungs- und Wartungsanleitung



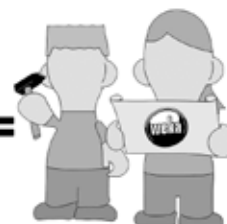
800.0286.17.65


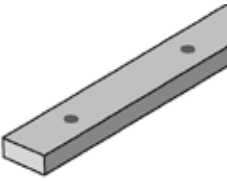
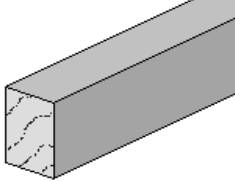
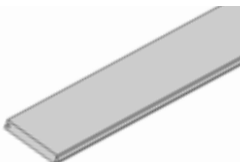
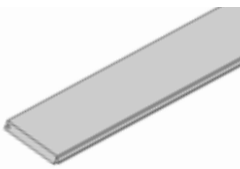
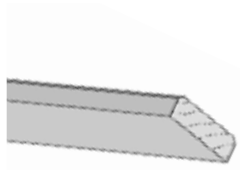
+

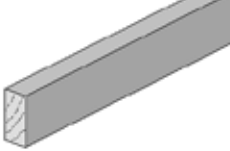
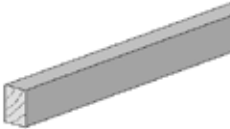
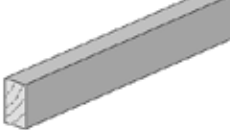
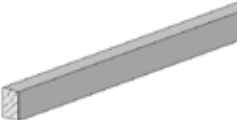
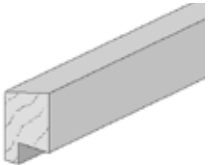




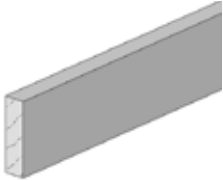




800.0286.20.02

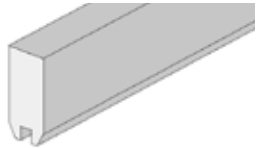
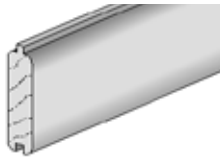
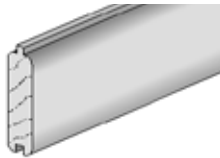
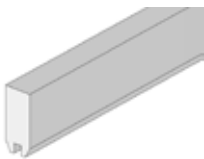
=














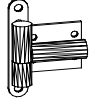
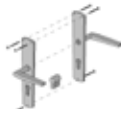

Pos	Bild	Abmessung (mm)	Anzahl (Stück)				
			321.2020.	321.2520.	321.2525.	321.3020.	321.3025
①	A100.12.6731 	154 x 180	1	1	1	1	1
②	K127.1515.0002 	5/15/1500	1	1	1	1	1
③	R002.0660.1978 R002.0660.2538 R002.0660.2988 	40/40/1978 40/40/2538 40/40/2988	5 - -	- 5 -	- 6 -	- - 5	- - 6
④	R002.0091.2350 R002.0091.2910 	15,5/96/2350 15,5/96/2910	25 -	31 -	- 32	37 -	- 37
⑤	R002.0091.1902 R002.0091.2462 	15,5/96/1902 15,5/96/2462	22 -	29 -	- 29	34 -	- 34
⑥	R002.0400.2040 	11/58/2040	8	8	8	8	8

Pos	Bild	Abmessung (mm)	Anzahl (Stück)				
			321.2020.	321.2520.	321.2525.	321.3020.	321.3025
7	R002.0530.1920 	15/45/1920	10	10	11	12	12
8	G122.01.0003 	15/21/1805	1	1	1	1	1
9	R002.0500.2000 	15/25/2000	2	2	2	2	2
10	G530.02.0039 	14/14/1300	2	2	2	2	2
11	R002.0883.1580 	35/60/1580	1	1	1	1	1
12	R002.0560... 	18,5/146/1610 18,5/146/2050 18,5/146/2405 18,5/146/2840	- - 3 -	- - 2 1	4 - - 1	- 2 2 -	4 2 - -

Pos	Bild	Abmessung (mm)	Anzahl (Stück)				
			321.2020.	321.2520.	321.2525.	321.3020.	321.3025
13	R002.0352.1940 	28/121/1940	2	-	-	-	-
14	R002.0350.2500 R002.0350.2950 	45/146/2500 45/146/2950	- -	2 -	3 -	- 2	- 3
15	R002.0196.2000 	34/34/2000	4	4	4	4	4
16	R002.0196.0180 	34/34/180	10	8	12	8	12
17	G330.06.0007 	45/100/120	8	8	10	8	10
18	G321.01.0002 G321.01.0003 	19/58/1940 19/58/2500	2 -	2 -	- 2	2 -	- 2

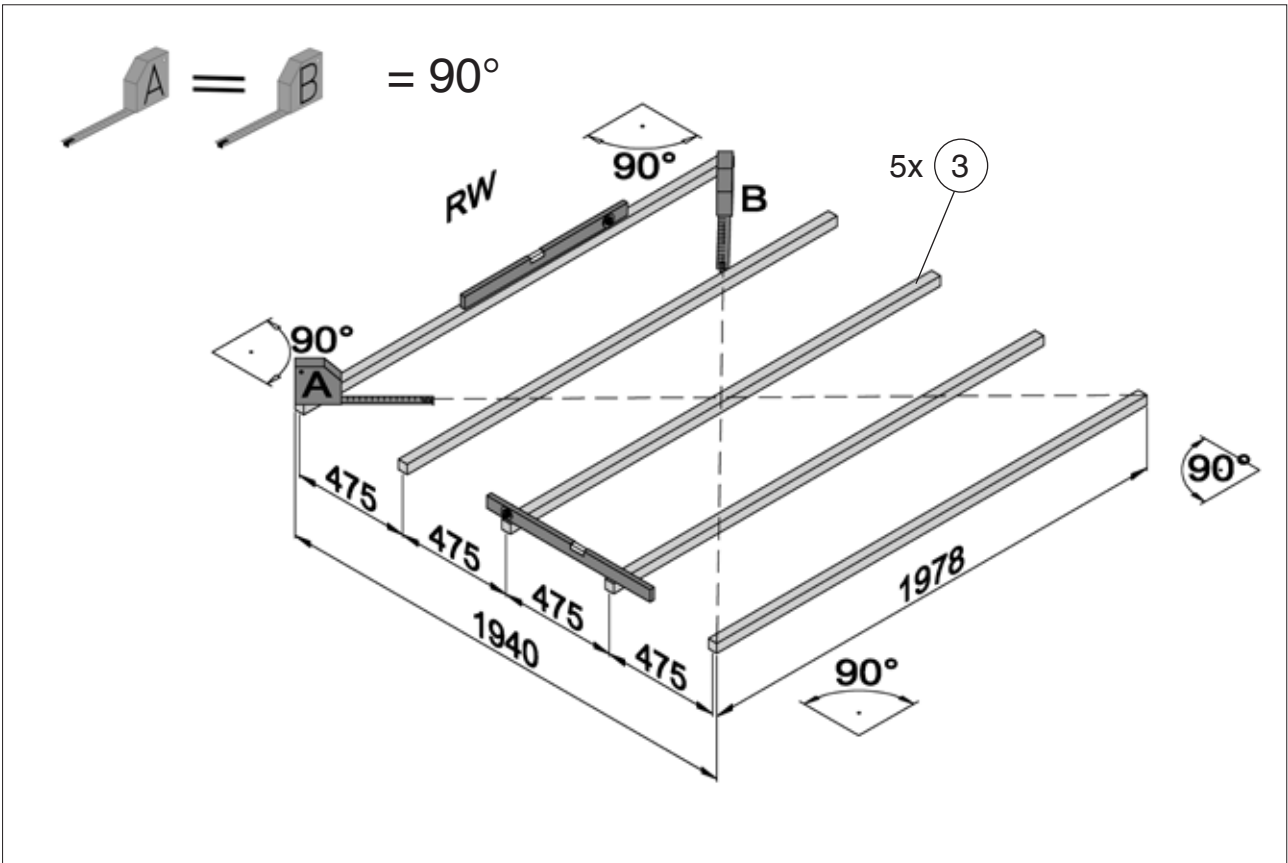
Pos	Bild	Abmessung (mm)	Anzahl (Stück)				
			321.2020.	321.2520.	321.2525.	321.3020.	321.3025
19	G321.01.0005 G321.01.0006 G321.01.0007 	19/58/1940 19/58/2500 19/58/2950	1 - -	- 1 -	- 1 -	- - 1	- - 1
20	R002.06.0215 R002.06.0495 R002.06.0720 	19/121/215 19/121/495 19/121/720	32 - -	- 32 -	- 32 -	- - 32	- - 32
21	R002.06.1940 R002.06.2500 R002.06.2950 	19/121/1940 19/121/2500 19/121/2950	52 - -	34 18 -	- 52 -	34 - 18	- 34 18
22	G105.01.0006 	28/60/300	4	4	4	4	4

M321.001			Anzahl (Stück)				
Pos	Bild	Abmessung (mm)	321.2020.	321.2520.	321.2525.	321.3020.	321.3025
M1	K001.6040.0004 	4,0 x 60	50	50	50	50	50
M2	K001.4040.0004 	4,0 x 40	400	400	400	400	400
M3	K001.3035.0004 	3,5 x 30	200	200	200	200	200
M4	K010.5022.0001 	2,2 x 55	800	800	800	800	800
M5	K100.1010.0001 	Ø 65	1	1	1	1	1
M6	K002.1625.0001 	2,5 x 16	2	2	2	2	2
M100.092							
Pos	Bild	Abmessung (mm)					
M7	K001.1635.0004 	3,5 x 16	16	16	16	16	16
M8	K001.3035.0004 	3,5 x 30	90	90	90	90	90
M9	K001.4040.0004 	4,0 x 40	25	25	25	25	25
M10	K001.5040.0004 	4,0 x 50	4	4	4	4	4
M11	K036.3135.0001 	0/0/65	1	1	1	1	1

Pos	Bild	Abmessung (mm)	Anzahl (Stück)				
			321.2020.	321.2520.	321.2525.	321.3020.	321.3025
M12	K037.0840.0000 	0/40/40	6	6	6	6	6
M13	K045.1270.0001 		1	1	1	1	1
M14	K050.5010.0001 	0/50/100	2	2	2	2	2

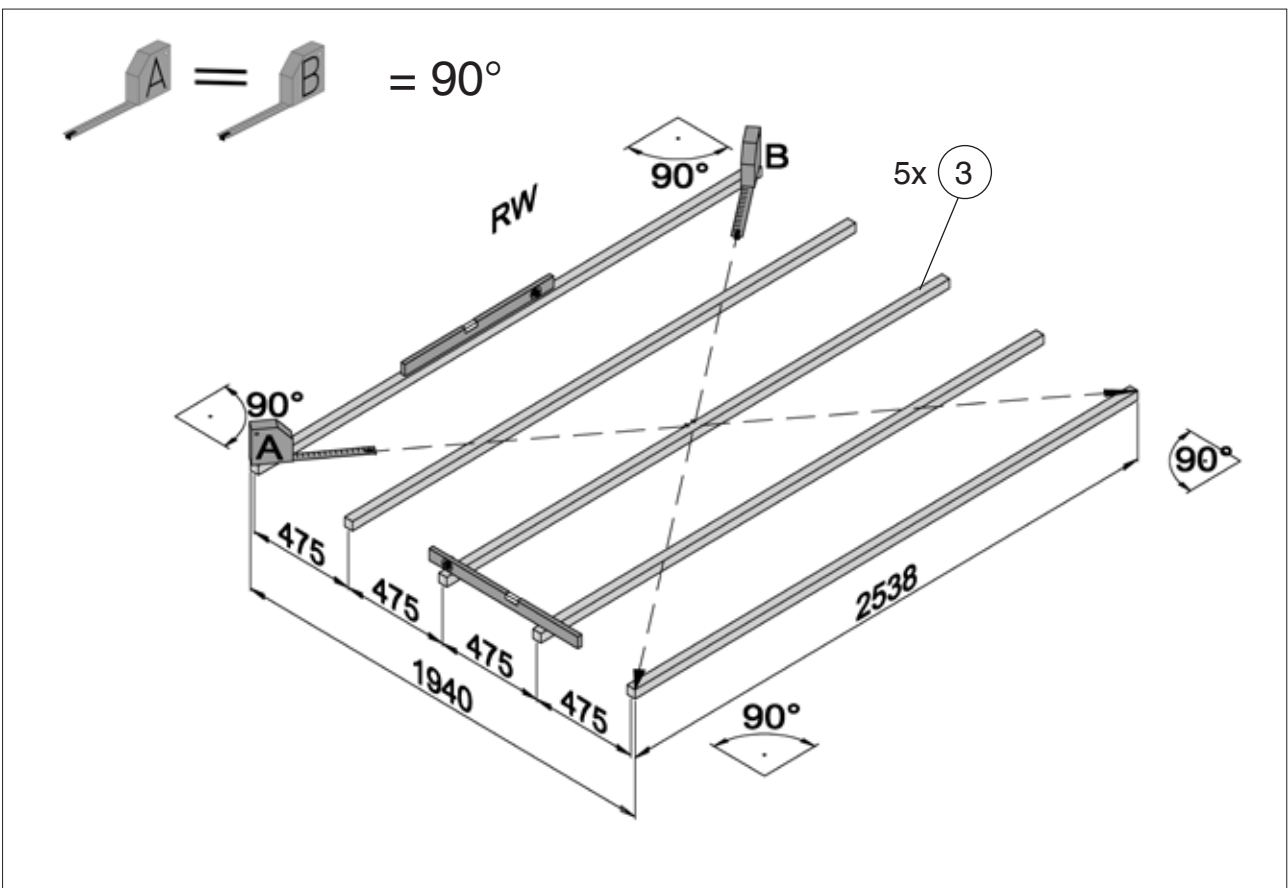
1

Art.-Nr.: 321.2020.20050



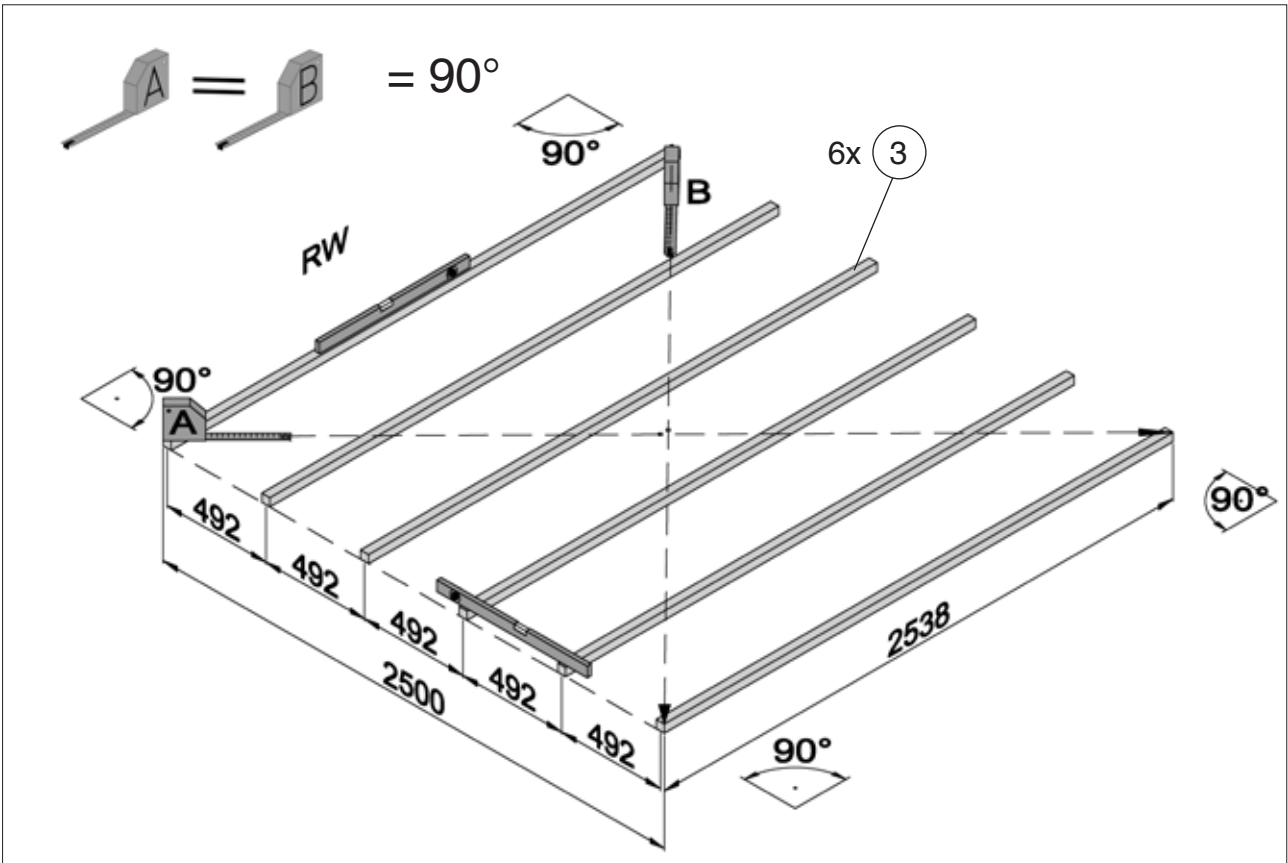
1

Art.-Nr.: 321.2520.20050



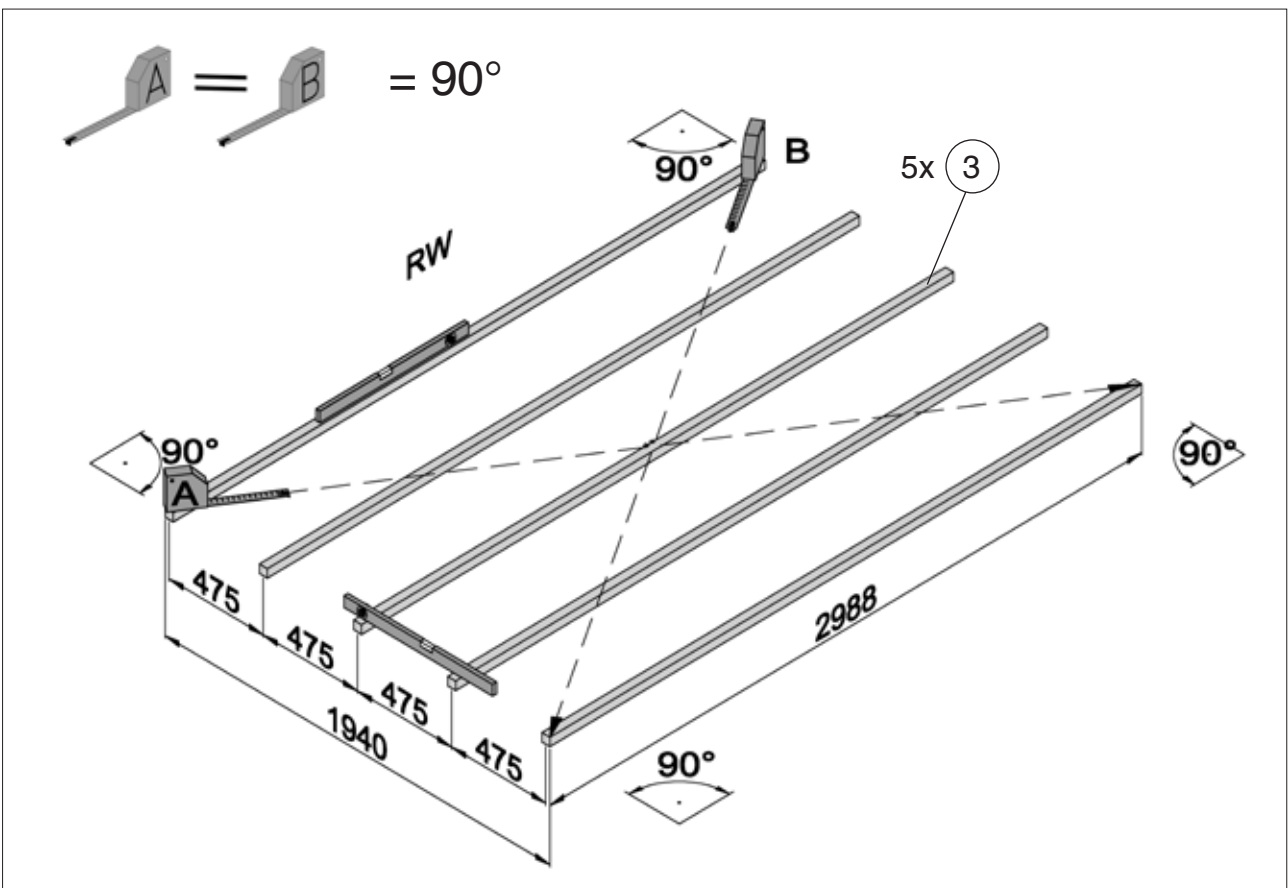
1

Art.-Nr.: 321.2525.20050



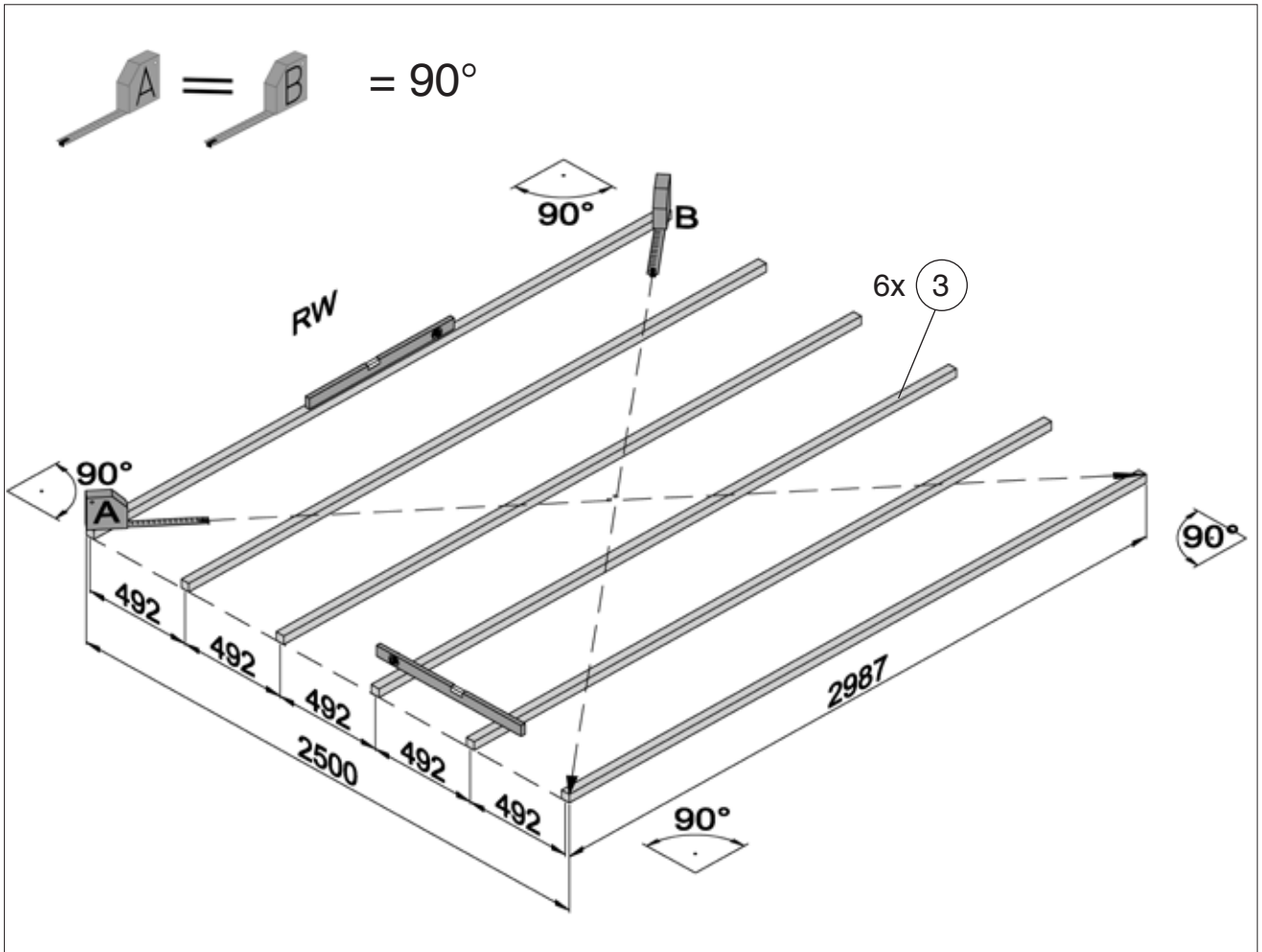
1

Art.-Nr.: 321.3020.20050

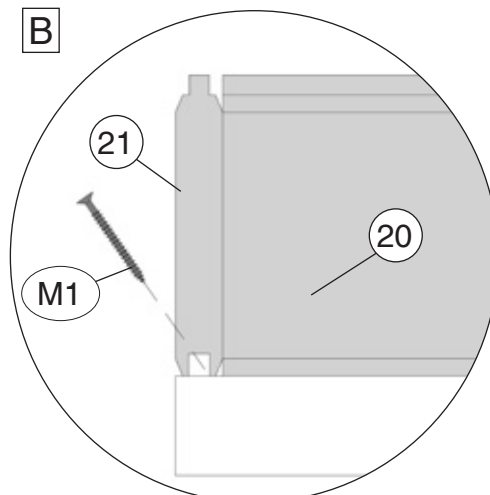
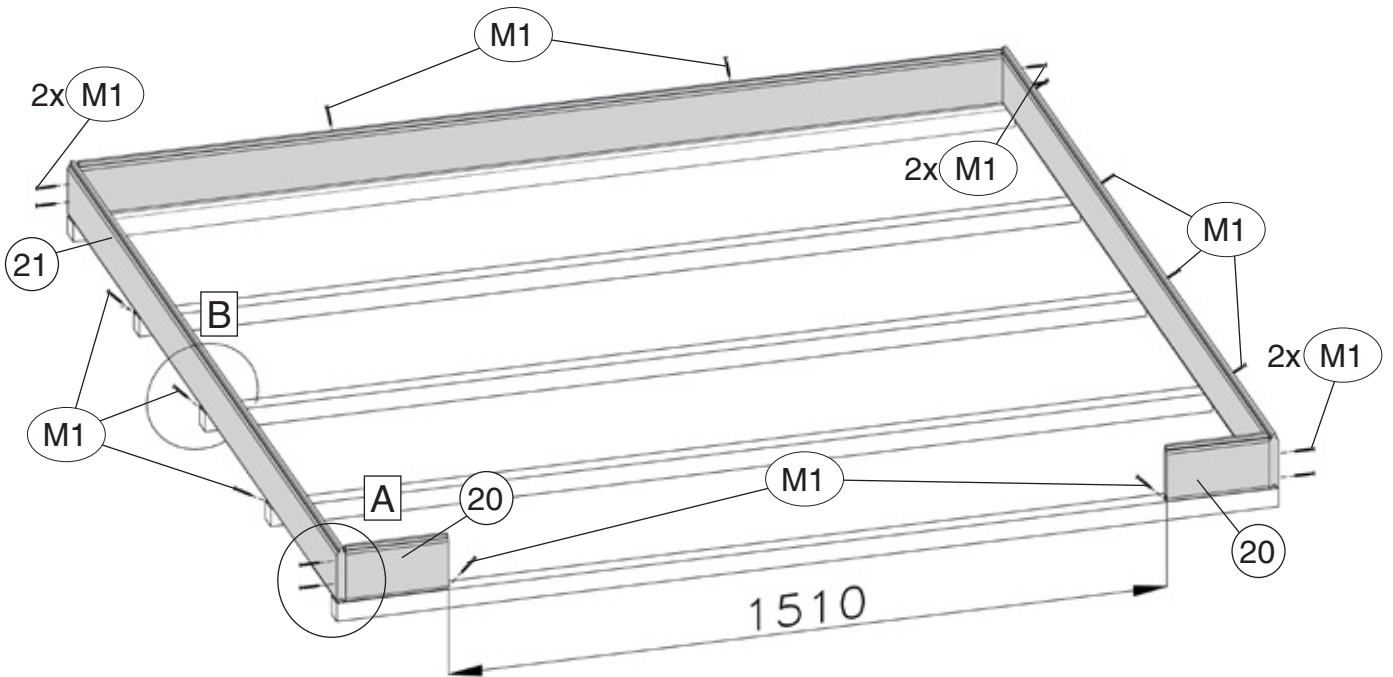
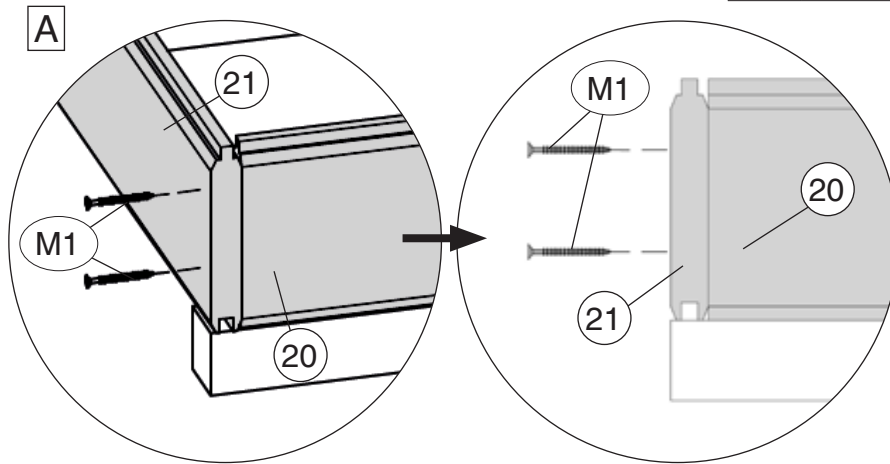
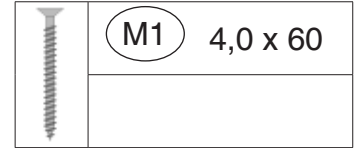
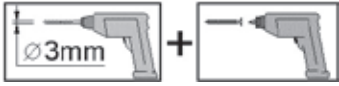


1


Art.-Nr.: 321.3025.20050

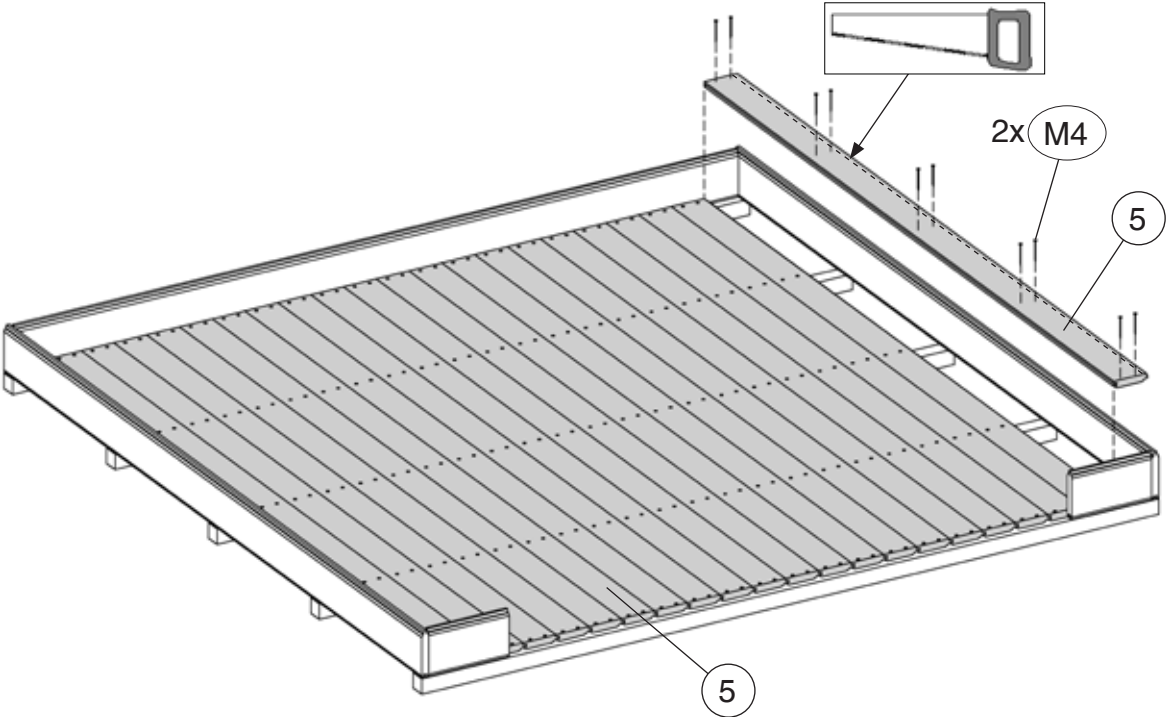


2

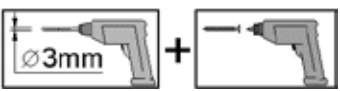



3

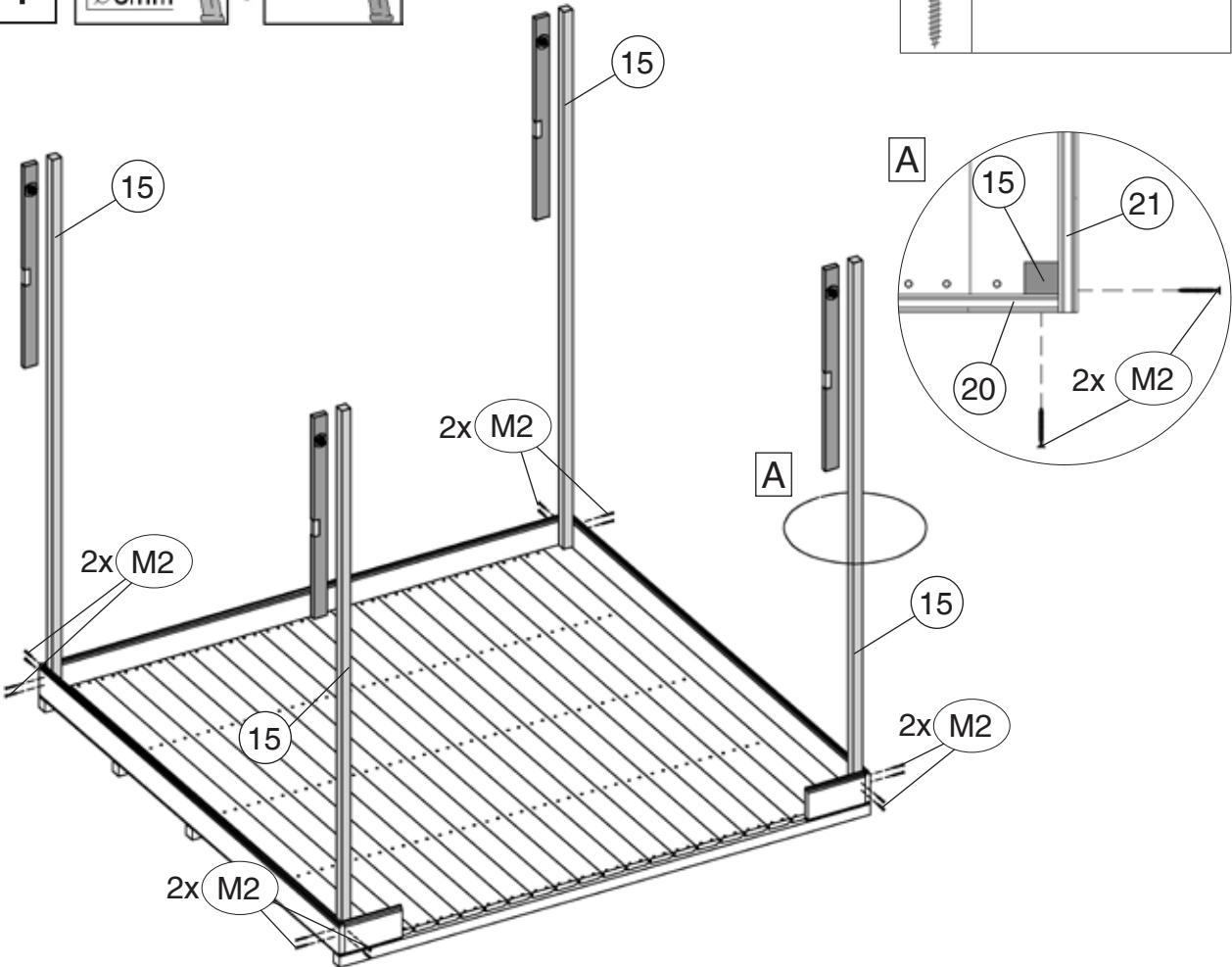
	M4 2,2 x 55
---	-------------



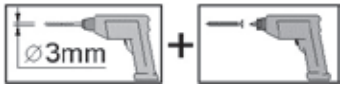
4



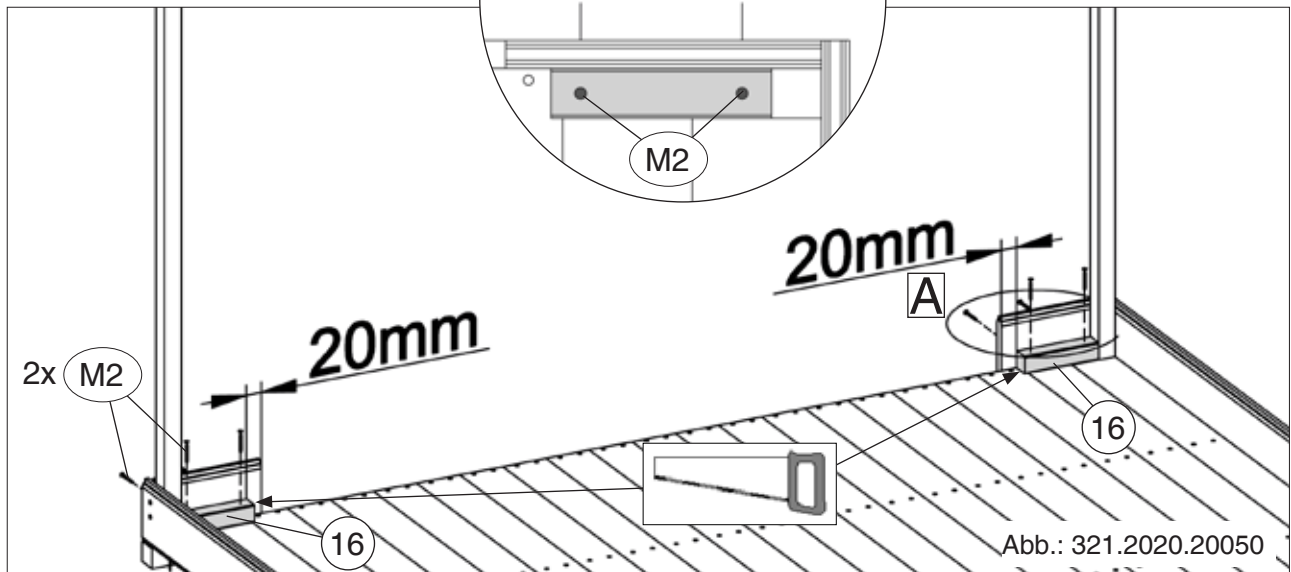
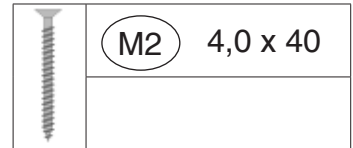
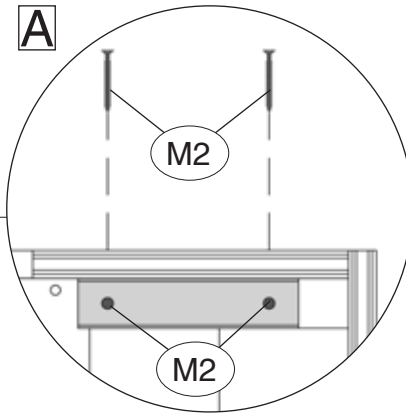
	M2 4,0 x 40
---	-------------



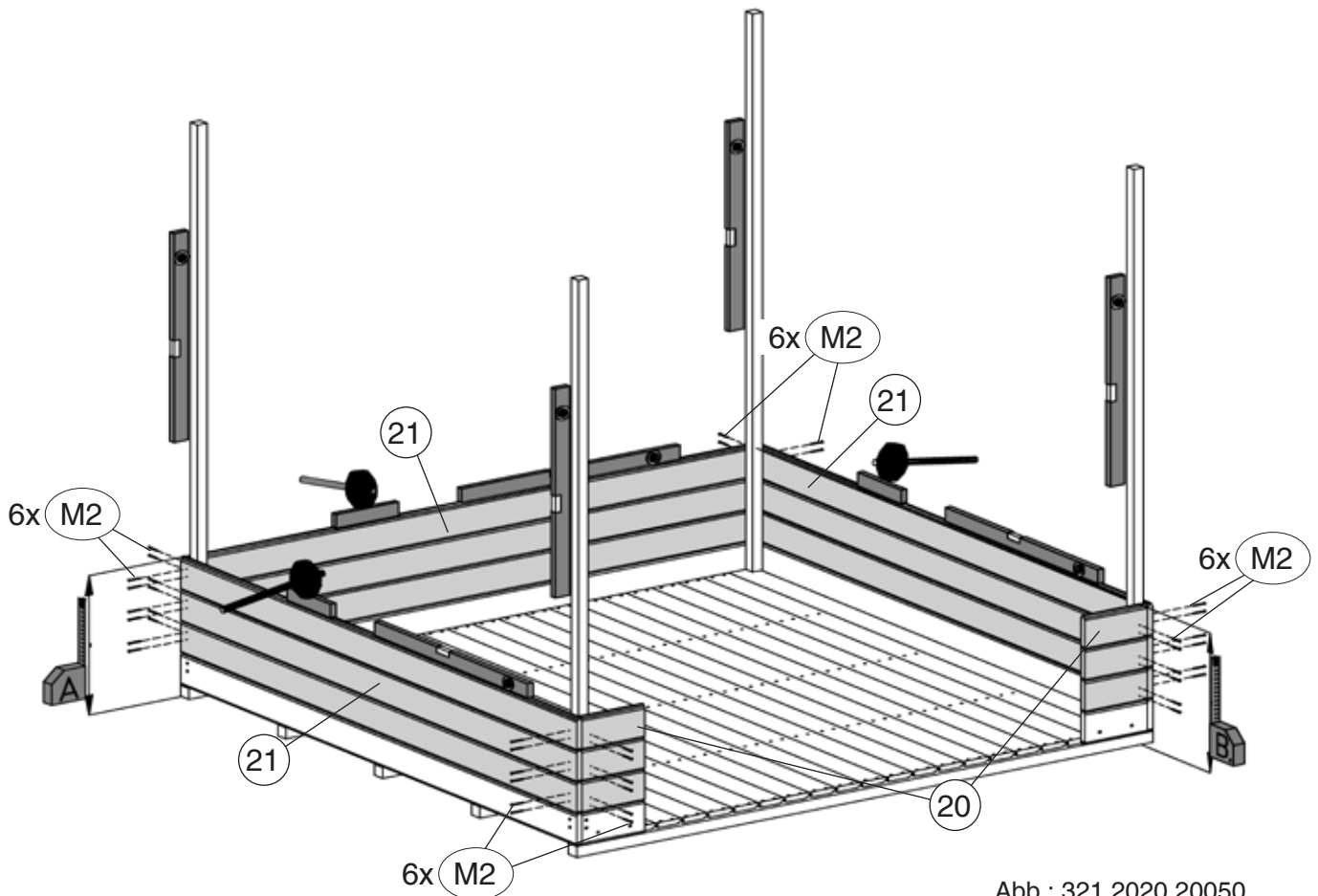
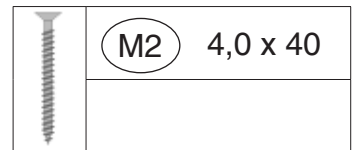
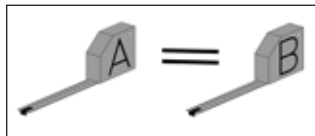
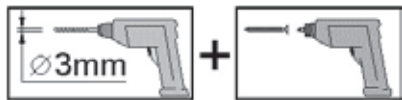
5



A



6



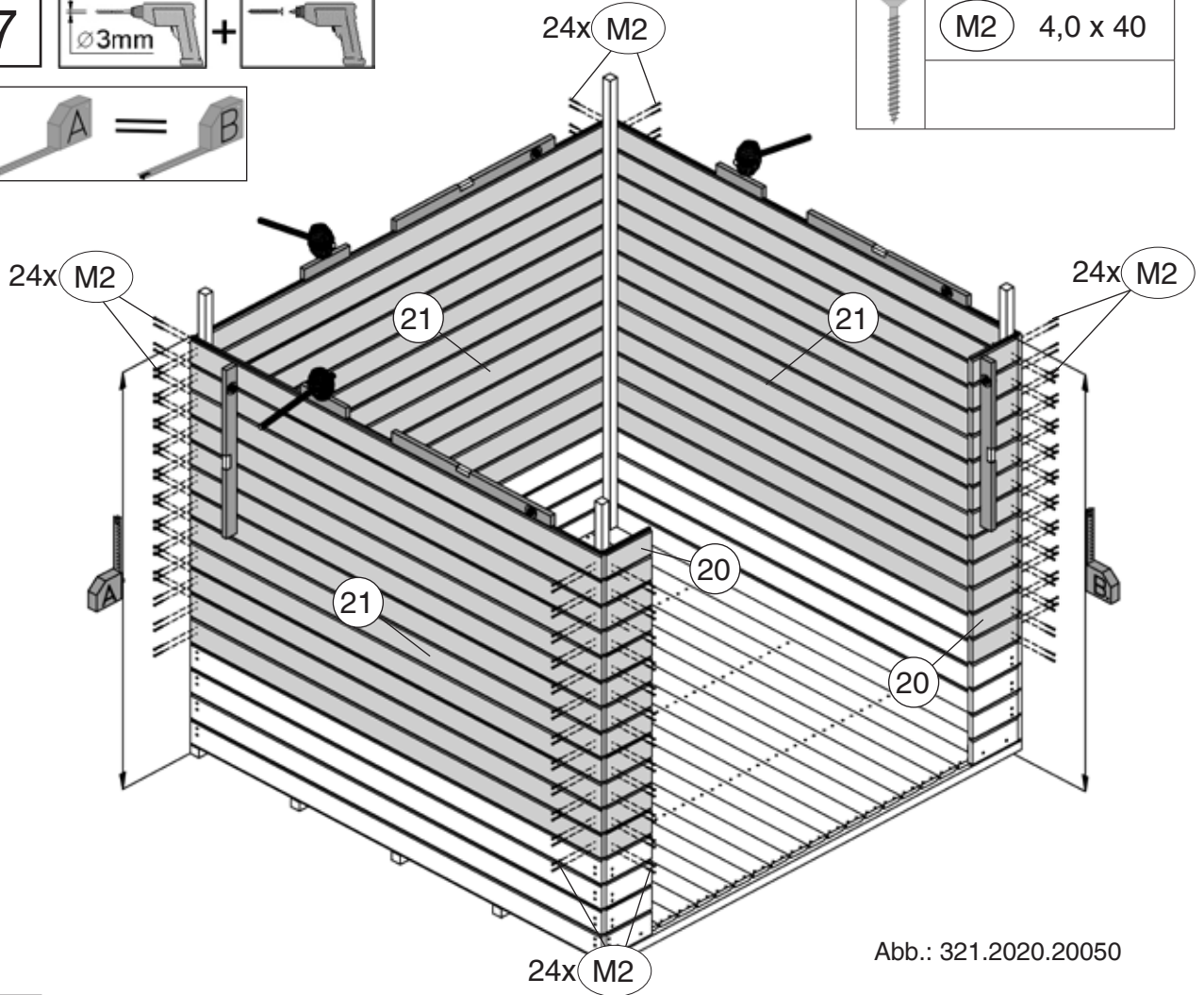
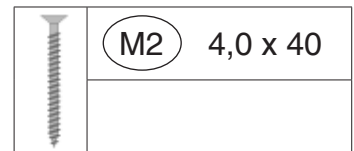
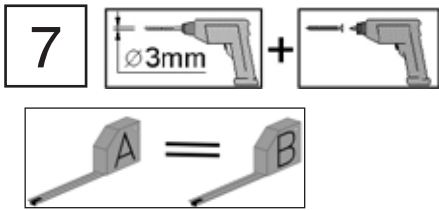


Abb.: 321.2020.20050

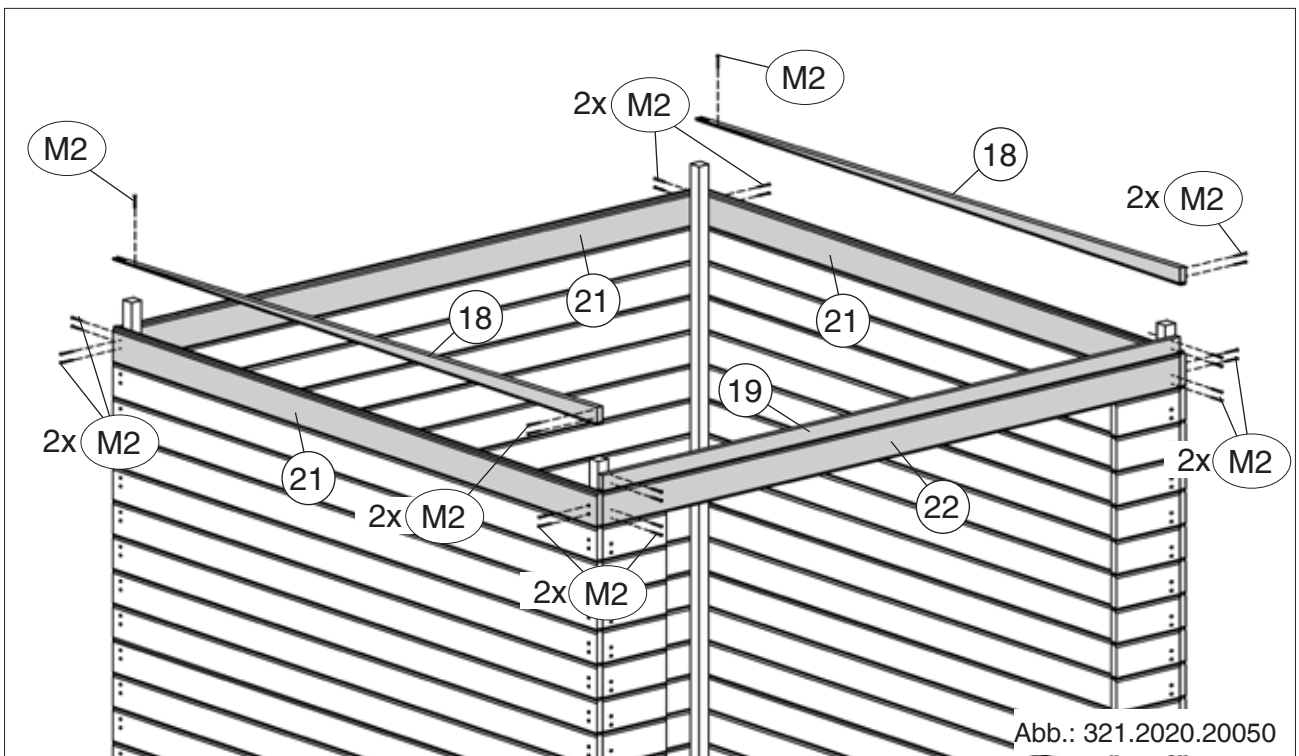
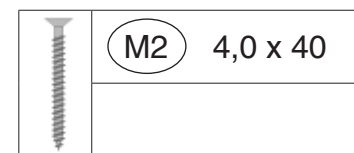


Abb.: 321.2020.20050

9

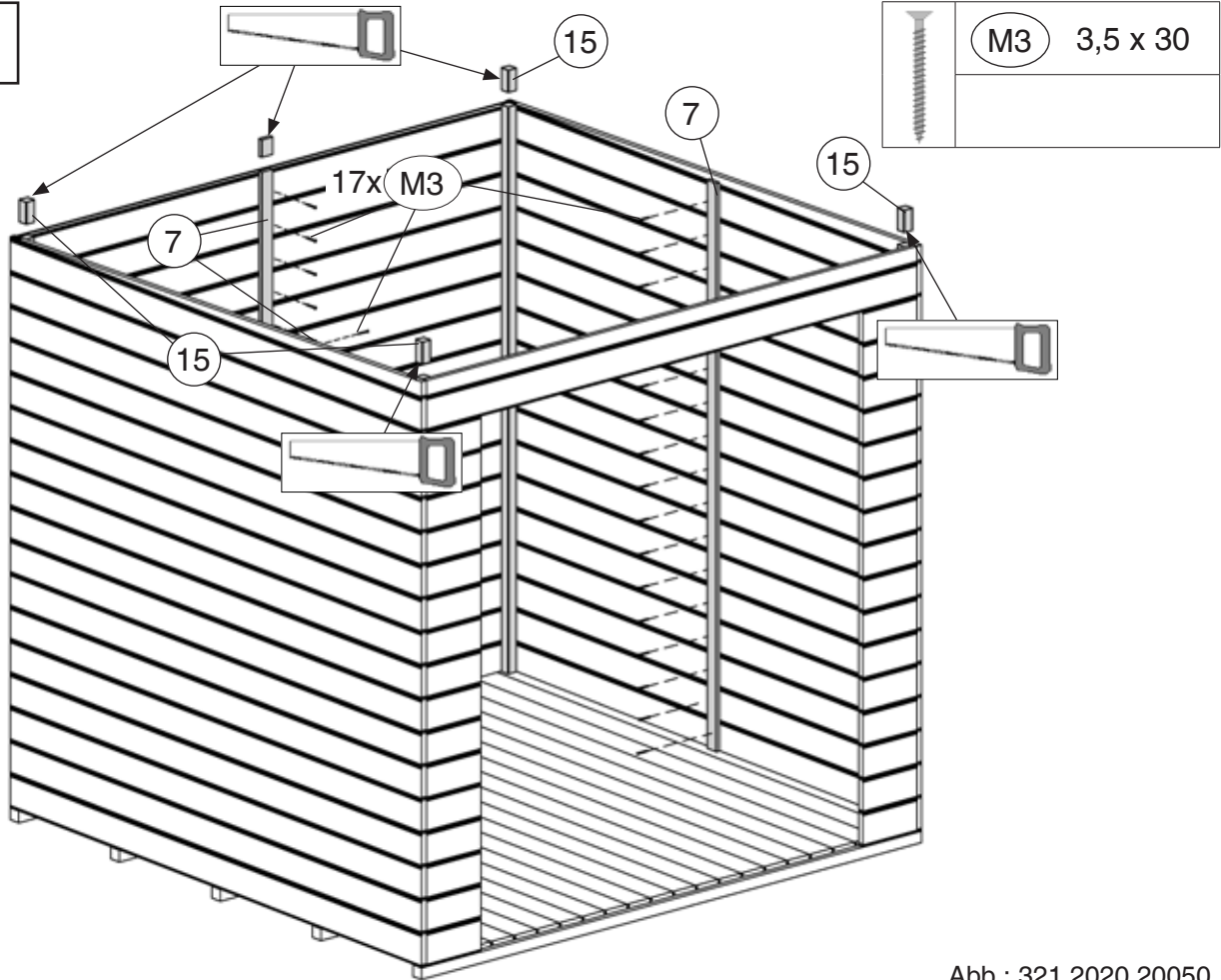


Abb.: 321.2020.20050

10

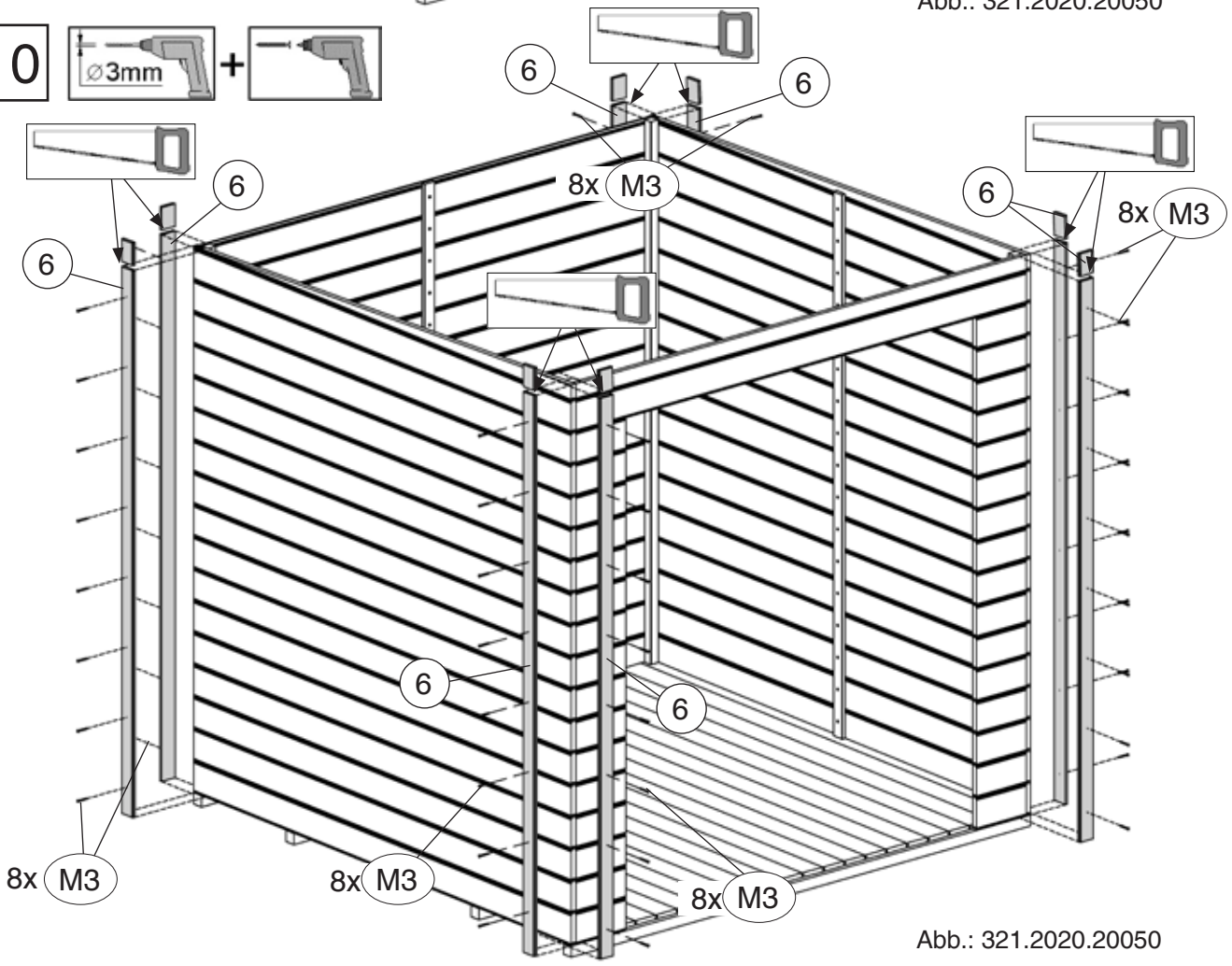


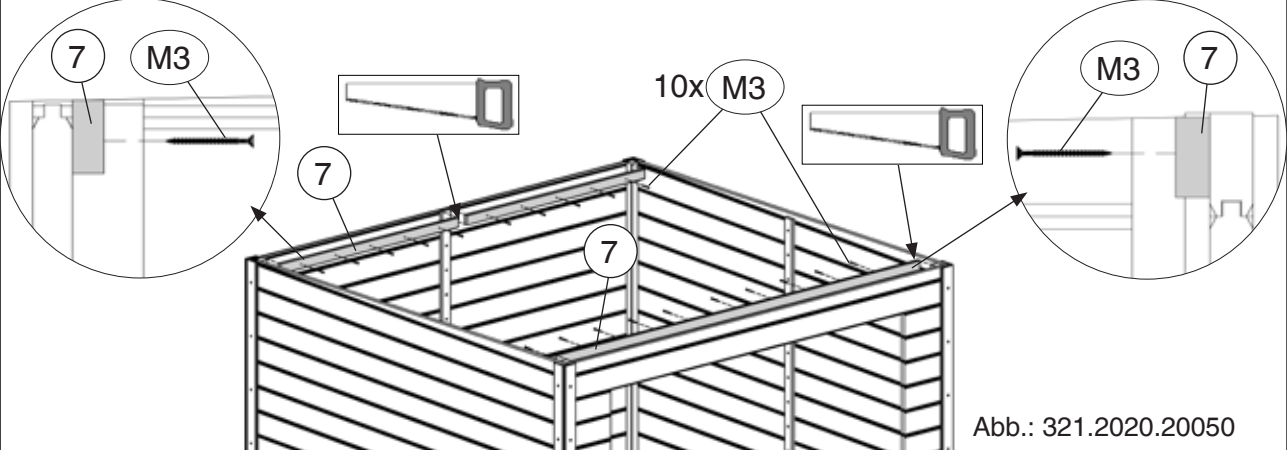


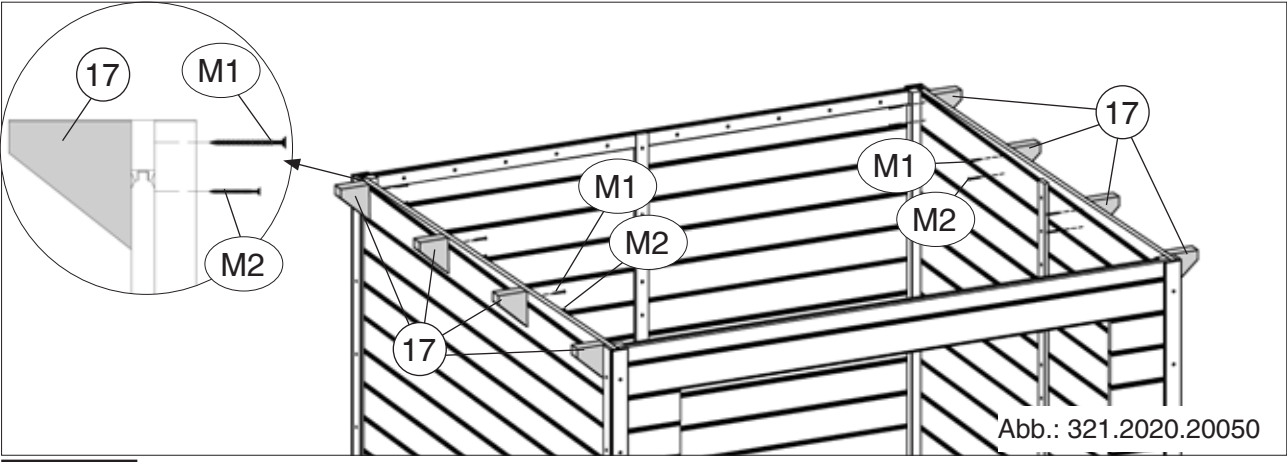
Abb.: 321.2020.20050

11 Art.-Nr.: 321.2525.20050

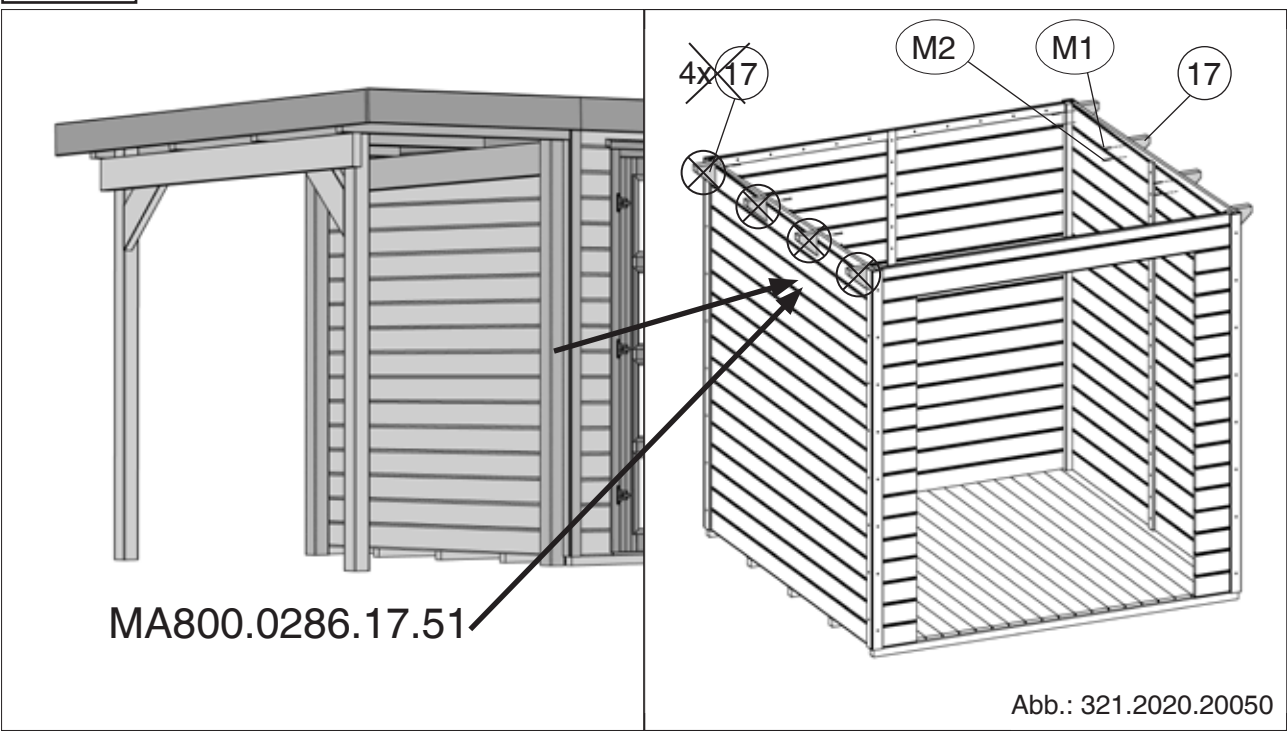
	M1	4,0 x 60		M3	3,5 x 30
	M2	4,0 x 40			





12.a Art.-Nr.: 321.2020.20050

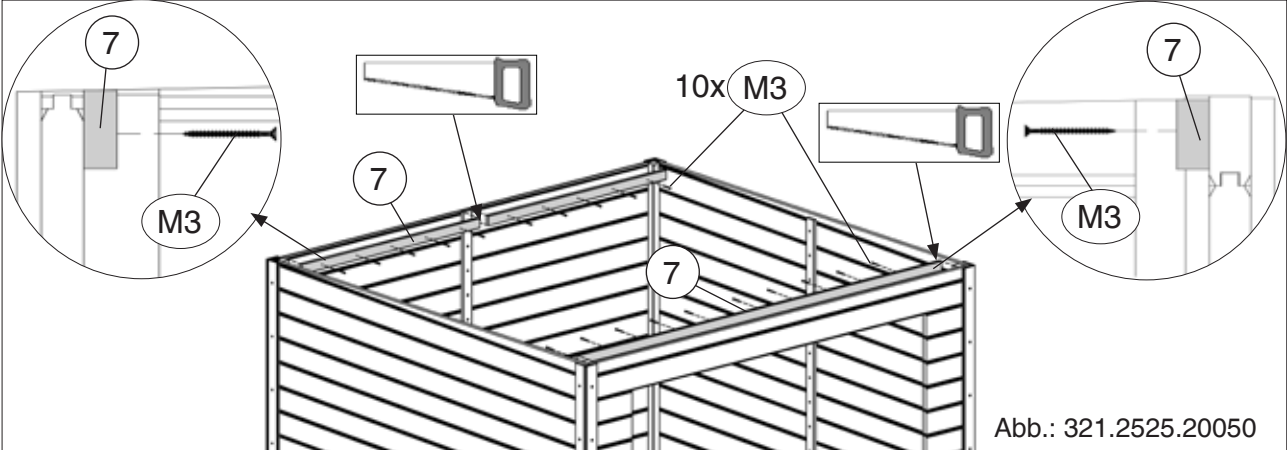


12.b Art.-Nr.: 321.2020.- / 321.2520.- / 321.3020.20150 / 20250

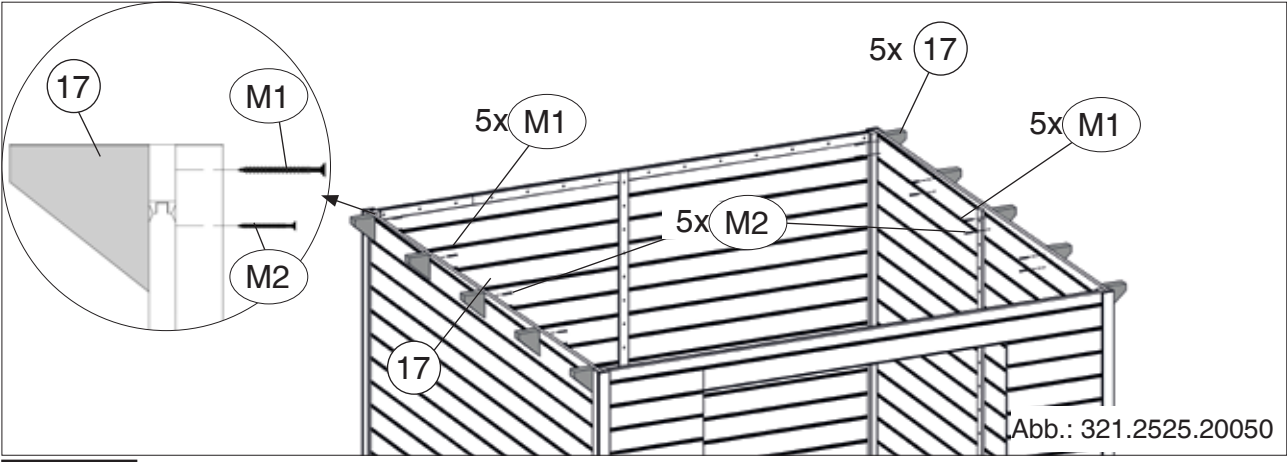


11 Art.-Nr.: 321.2525.20050

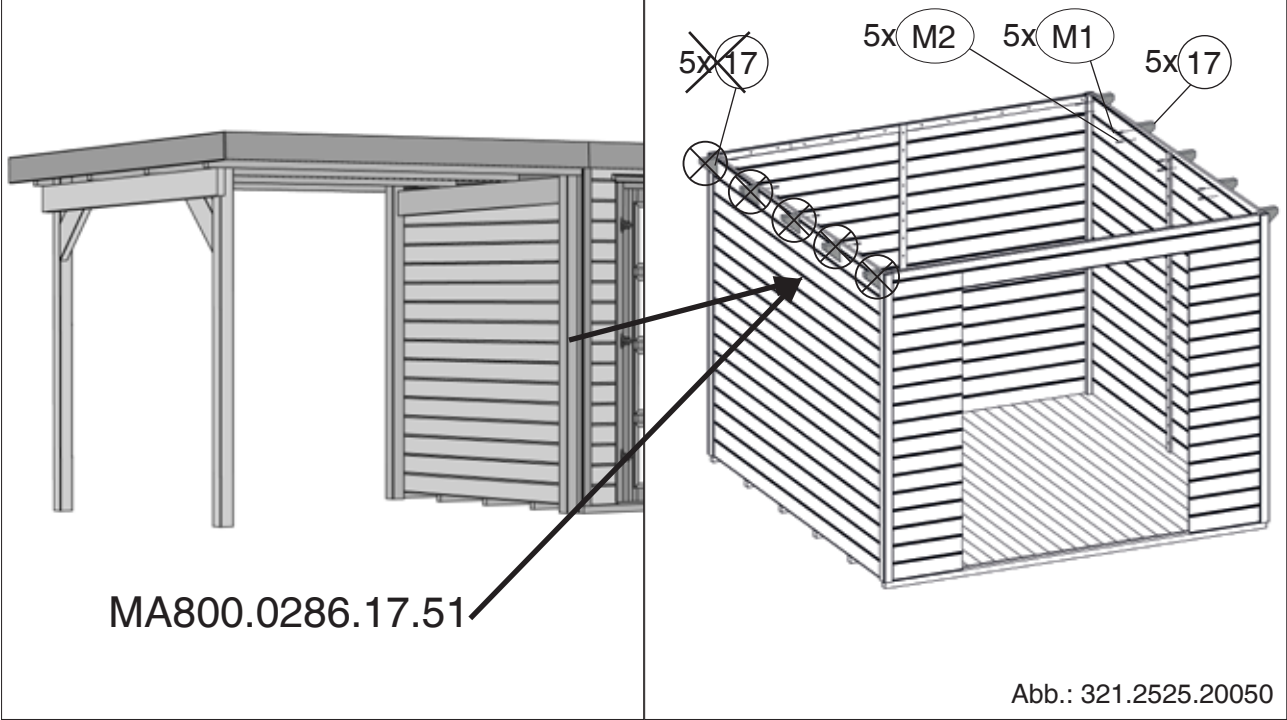
	M1	4,0 x 60		M3	3,5 x 30
	M2	4,0 x 40			




12.a Art.-Nr.: 321.2525.20050

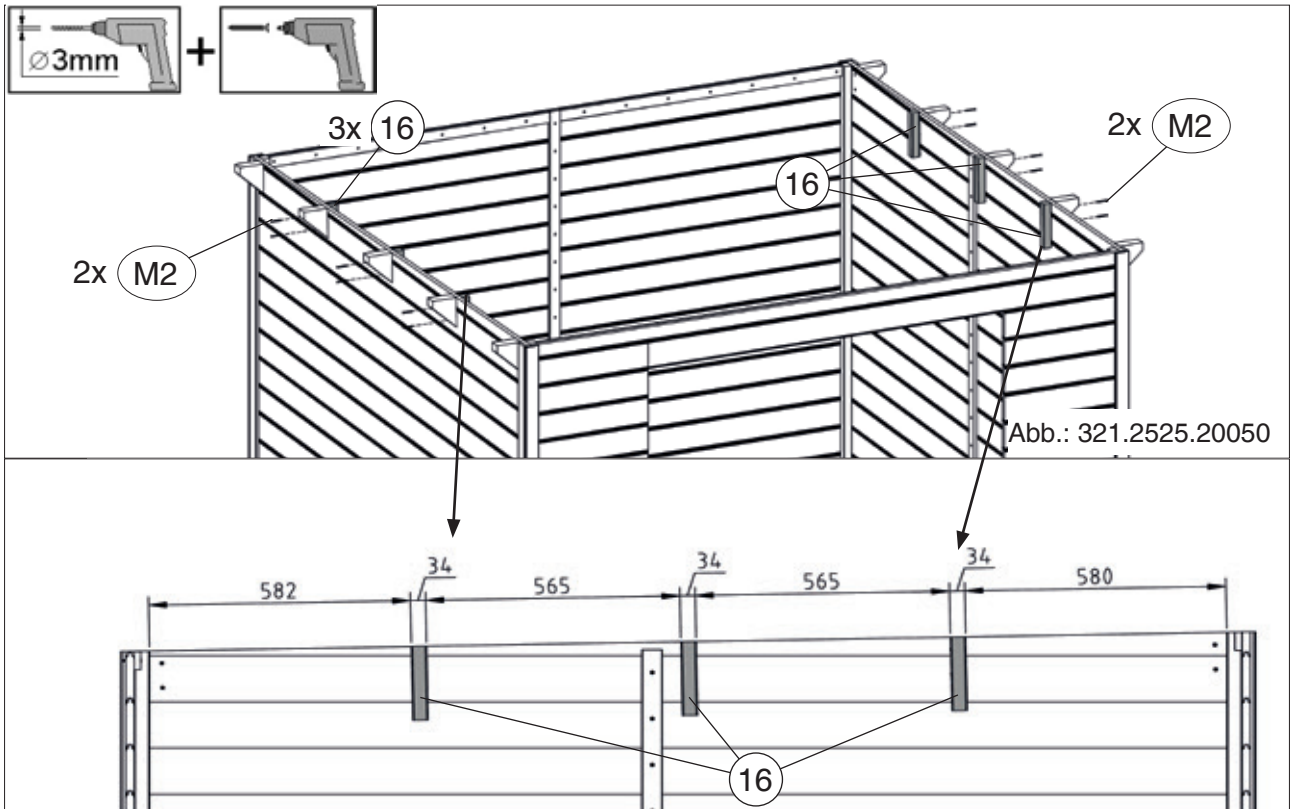


12.b Art.-Nr.: 321.2525.- / 321.3025.20150/ 20250

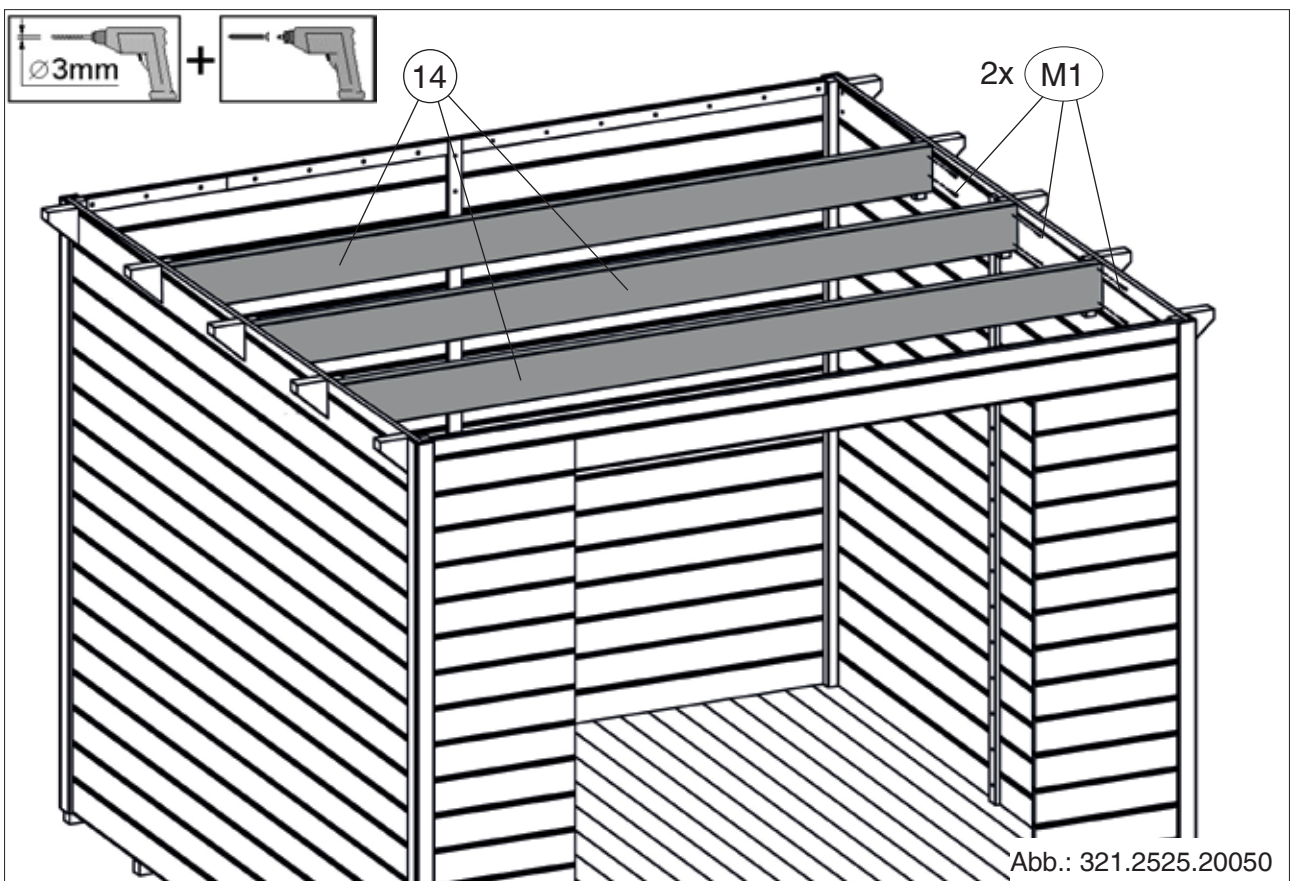


13 Art.-Nr.: 321.2525.20050


	M1	4,0 x 60
	M2	4,0 x 40

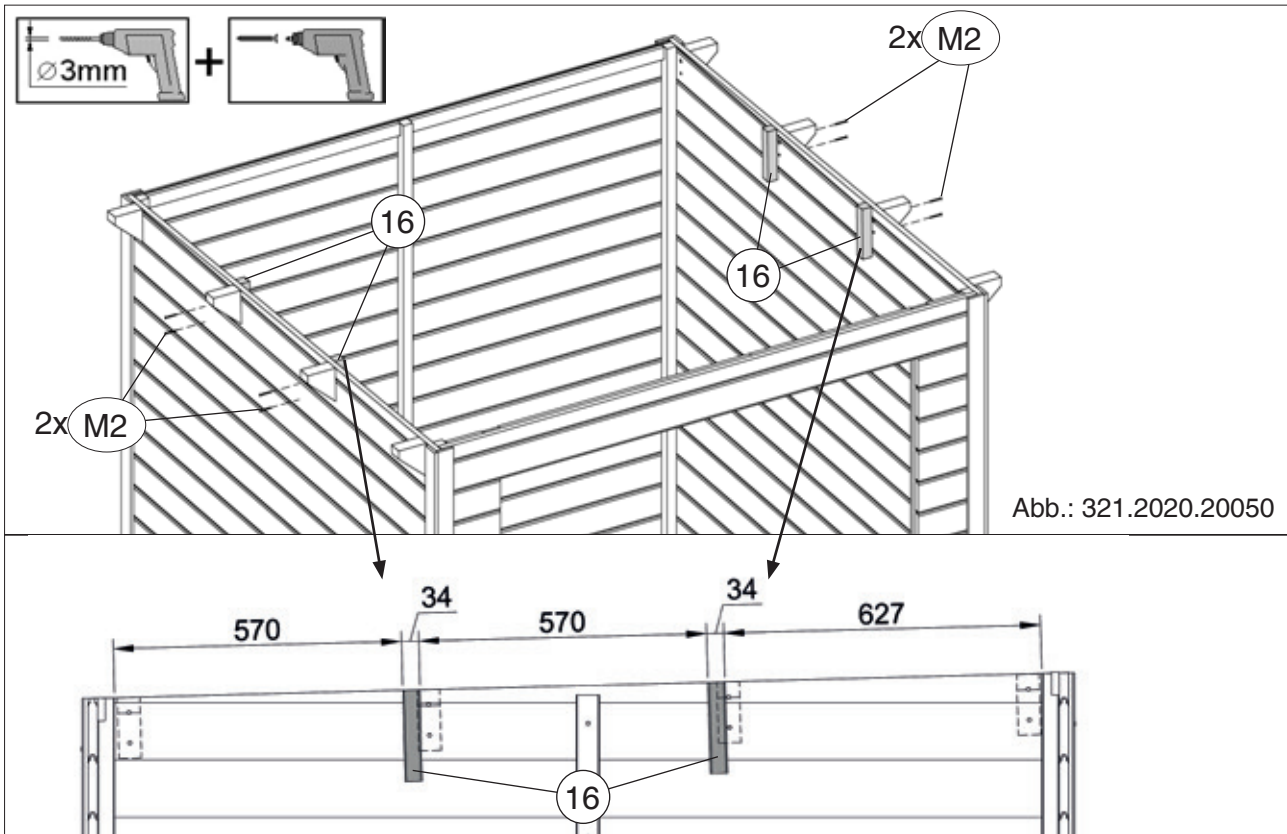


14 Art.-Nr.: 321.2525.20050

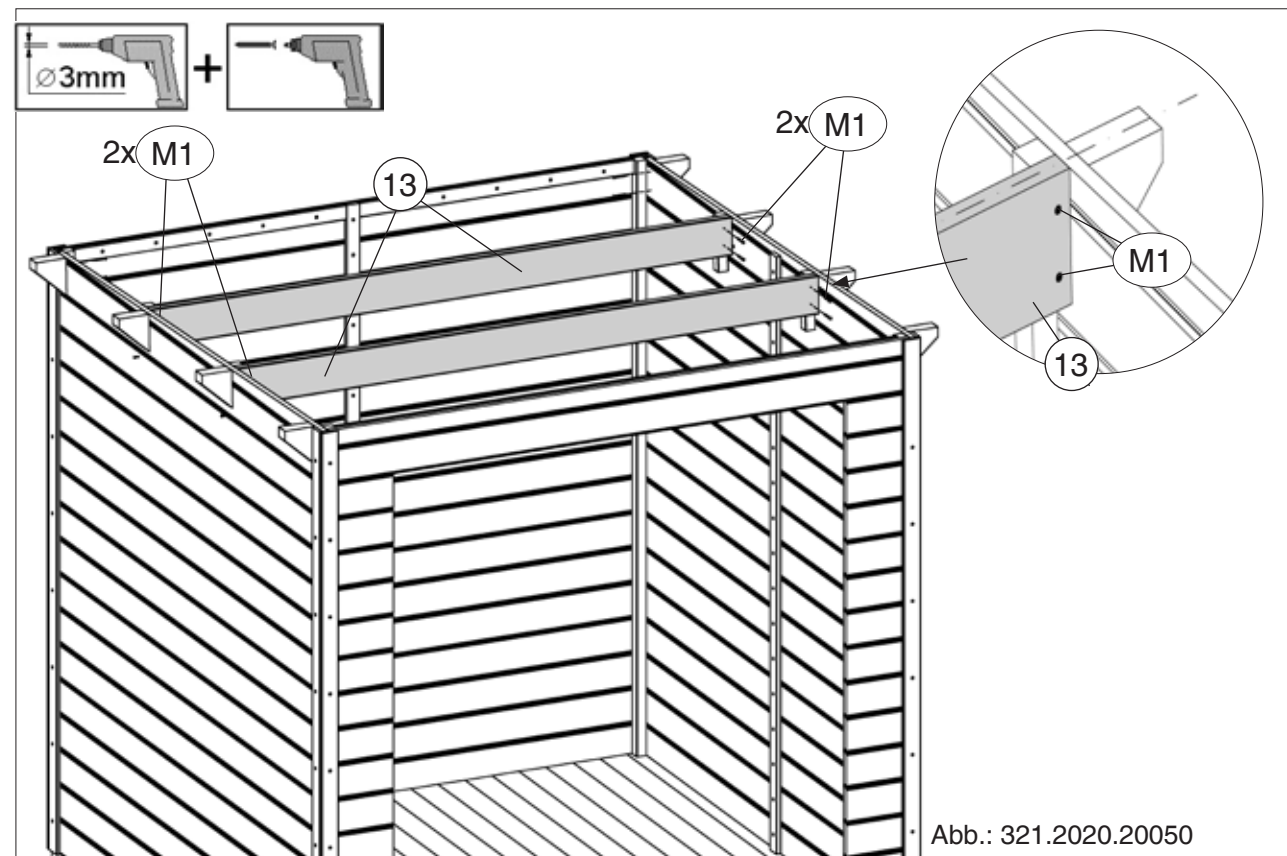


13 Art.-Nr.: 321.3025.20050

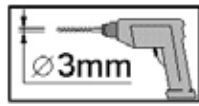
	M1	4,0 x 60
	M2	4,0 x 40



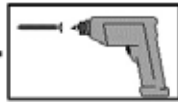
14 Art.-Nr.: 321.2020.20050



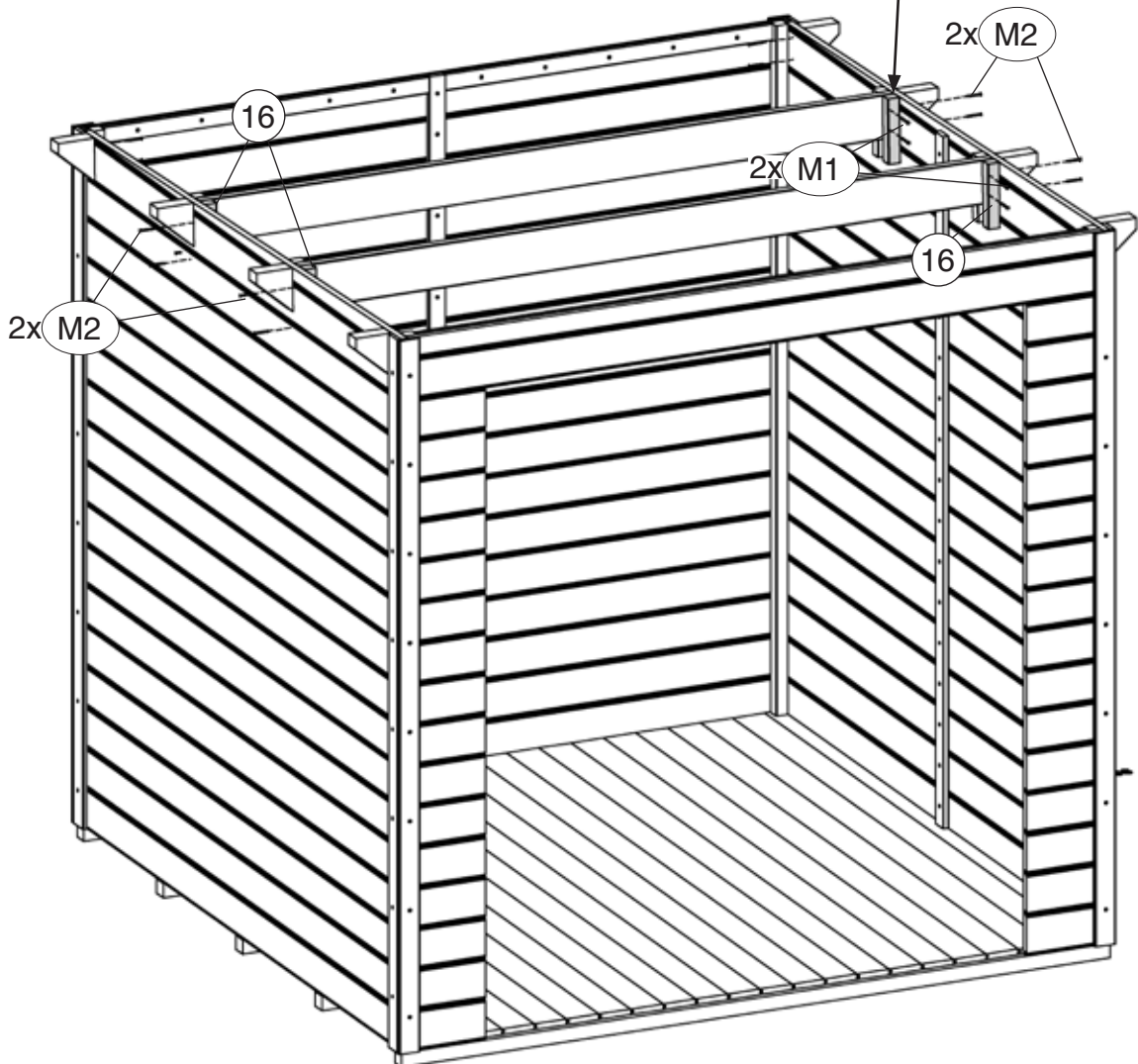
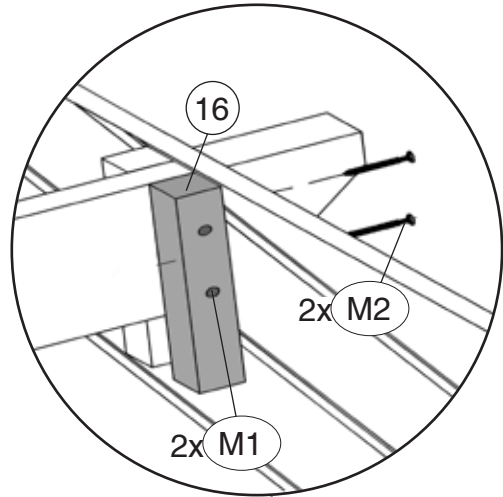
15



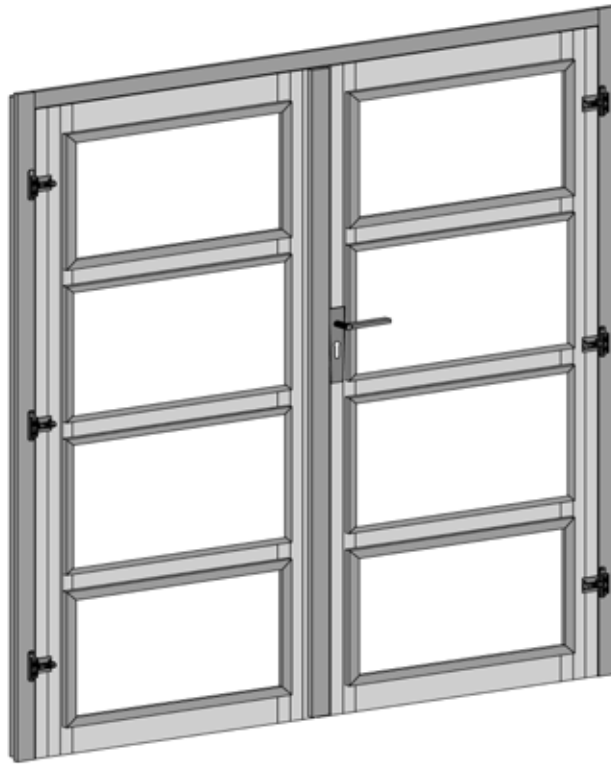
+



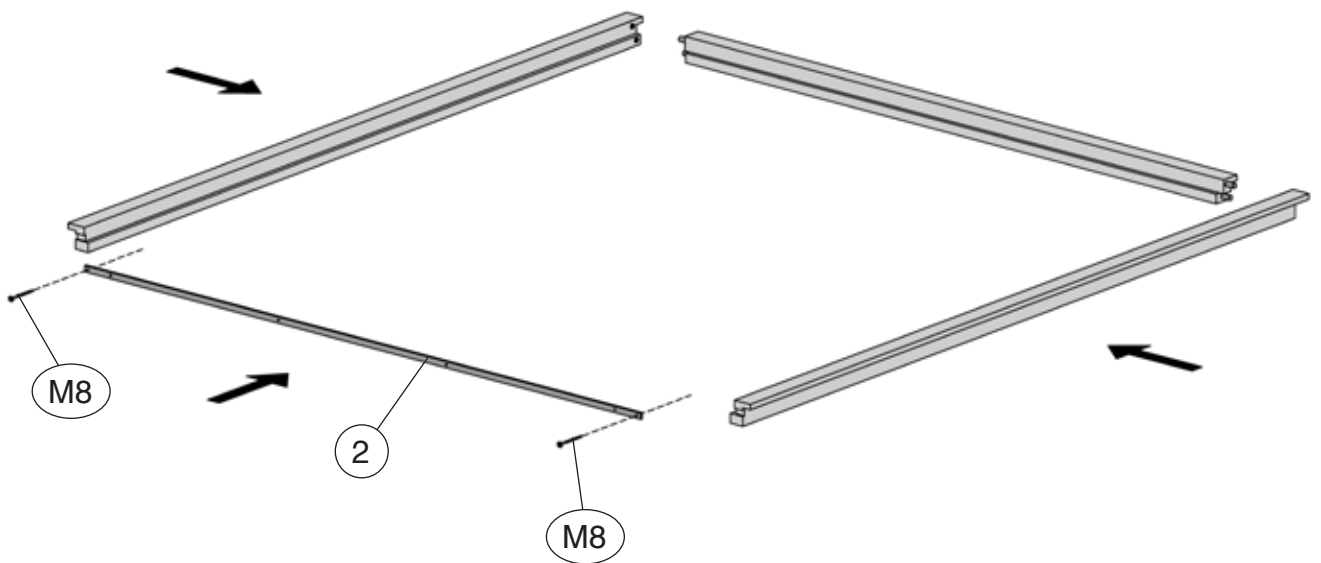
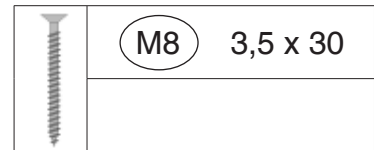
	M1	4,0 x 60
	M2	4,0 x 40




1




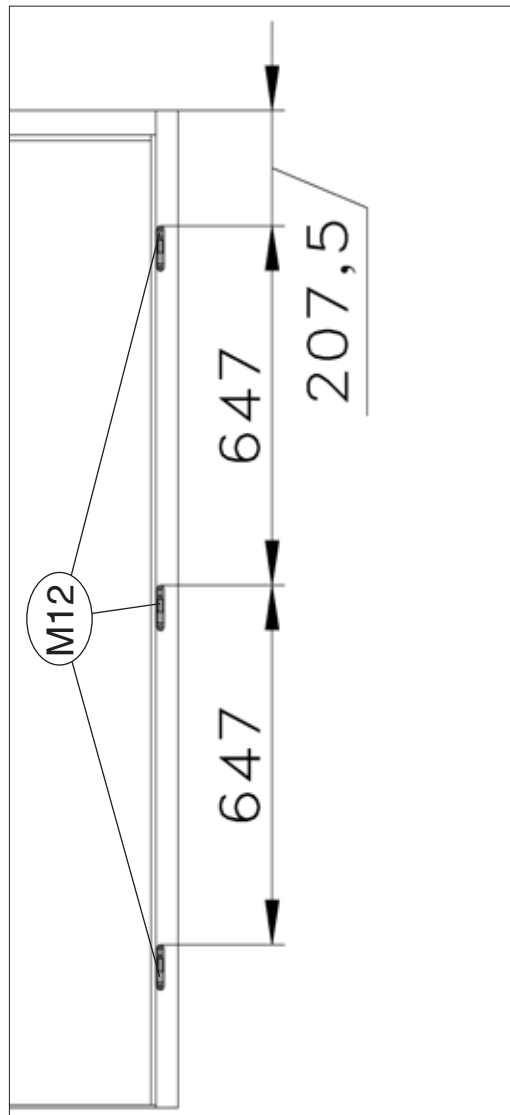
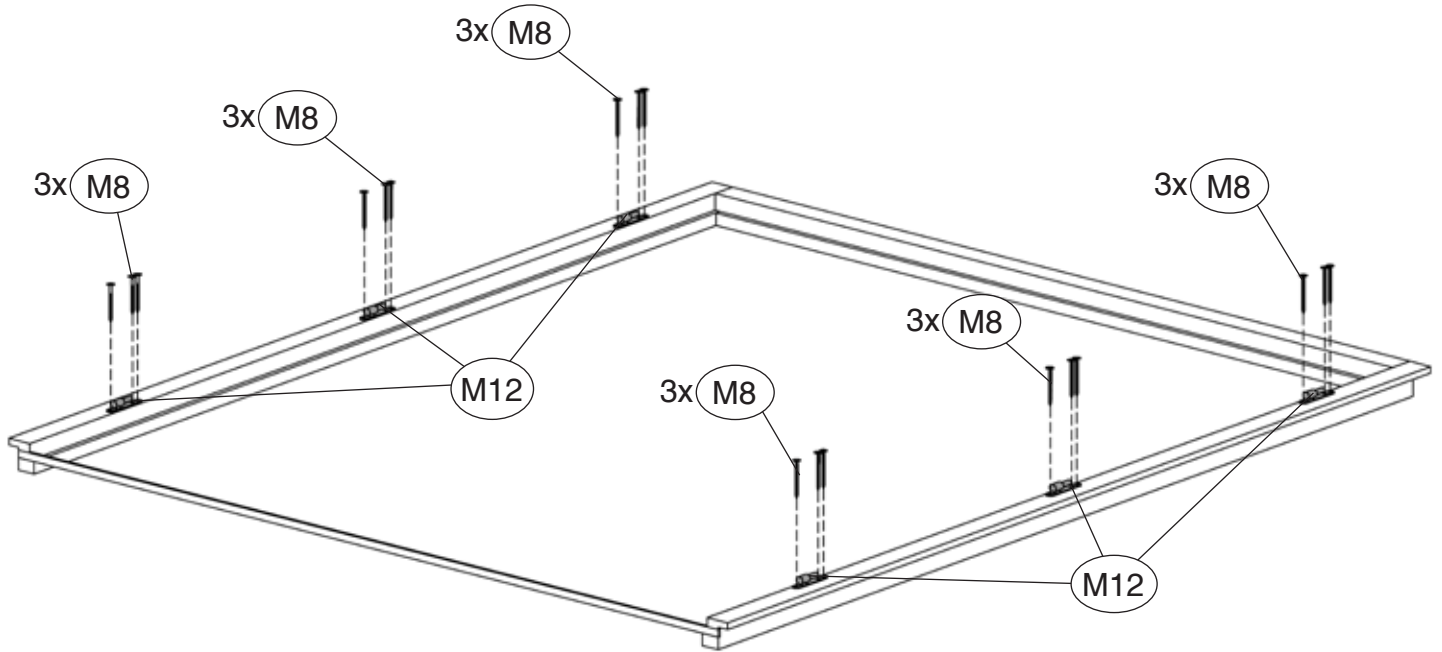
16



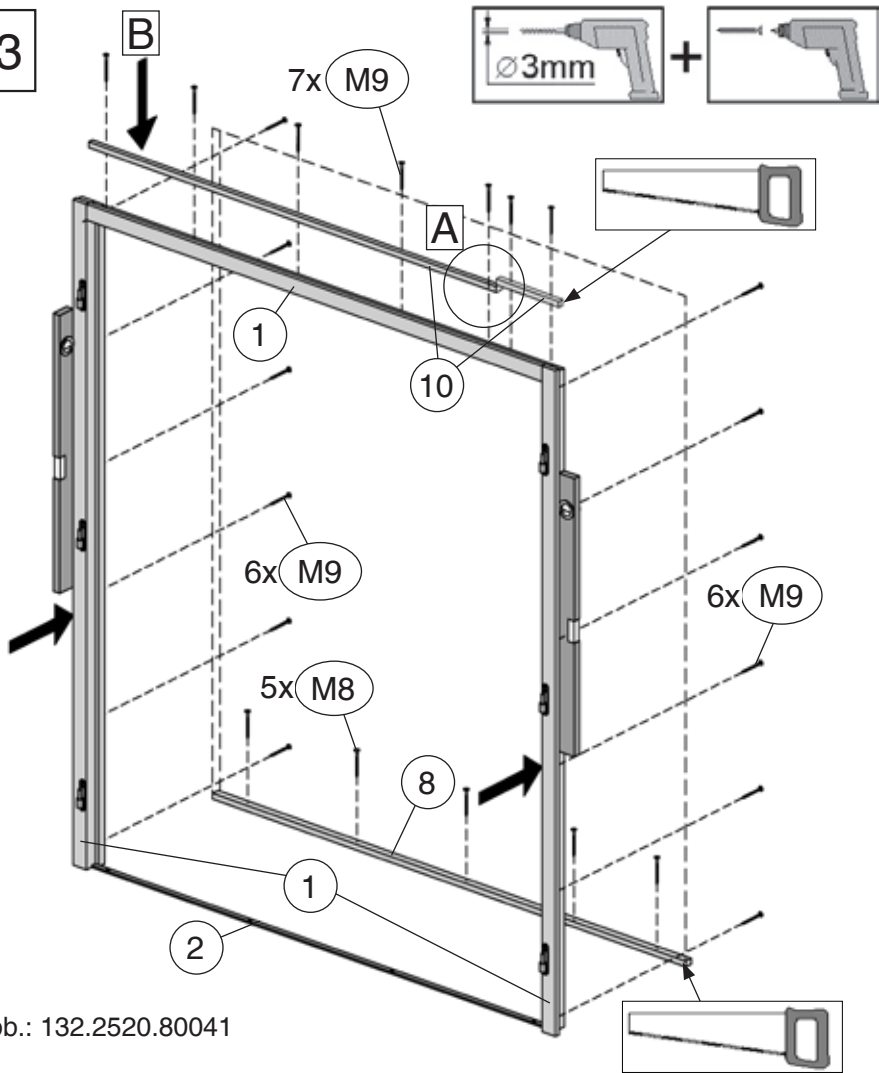
17

	M100.092
	M8 3,5 x 30

	M12 0/40/40



23



M8	3,5 x 30
M9	4,0 x 40

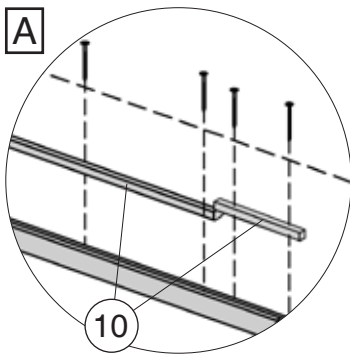
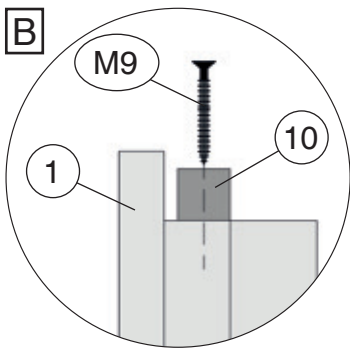
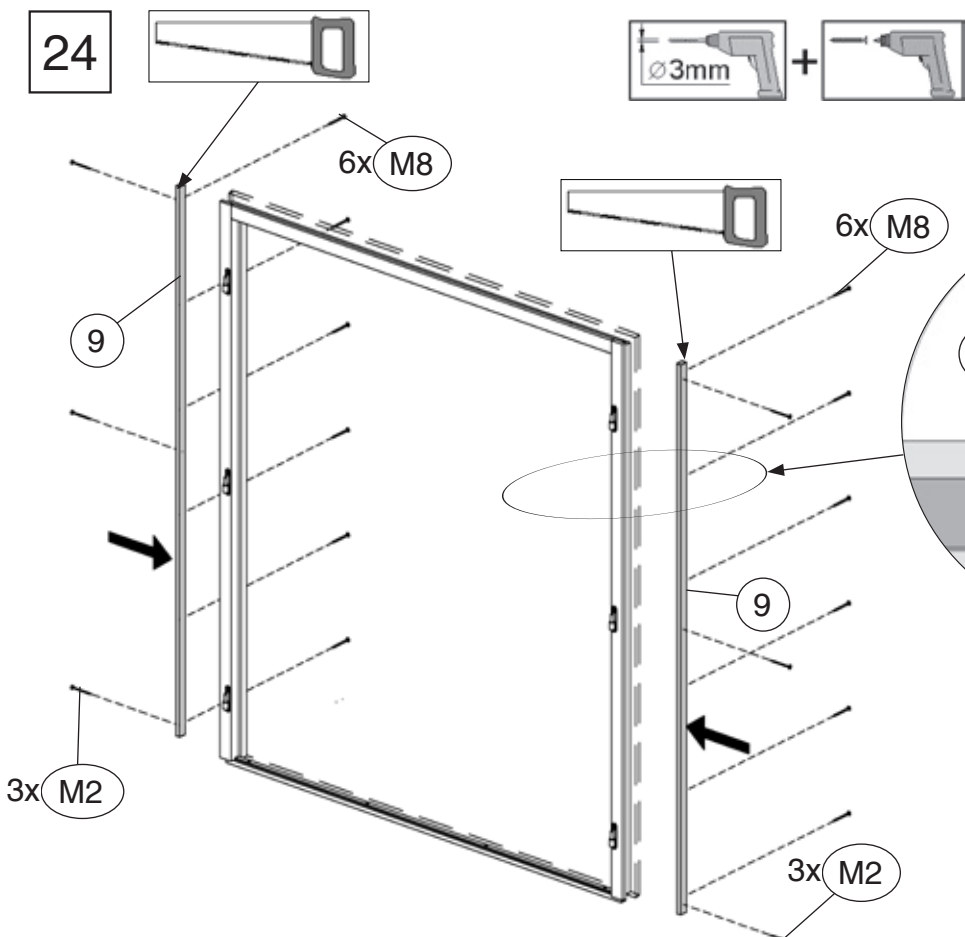
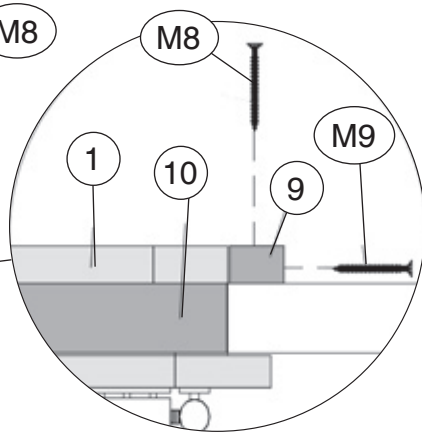


Abb.: 132.2520.80041

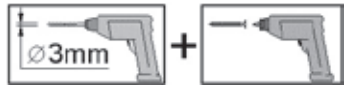
24



M8	3,5 x 30
M2	4,0 x 40

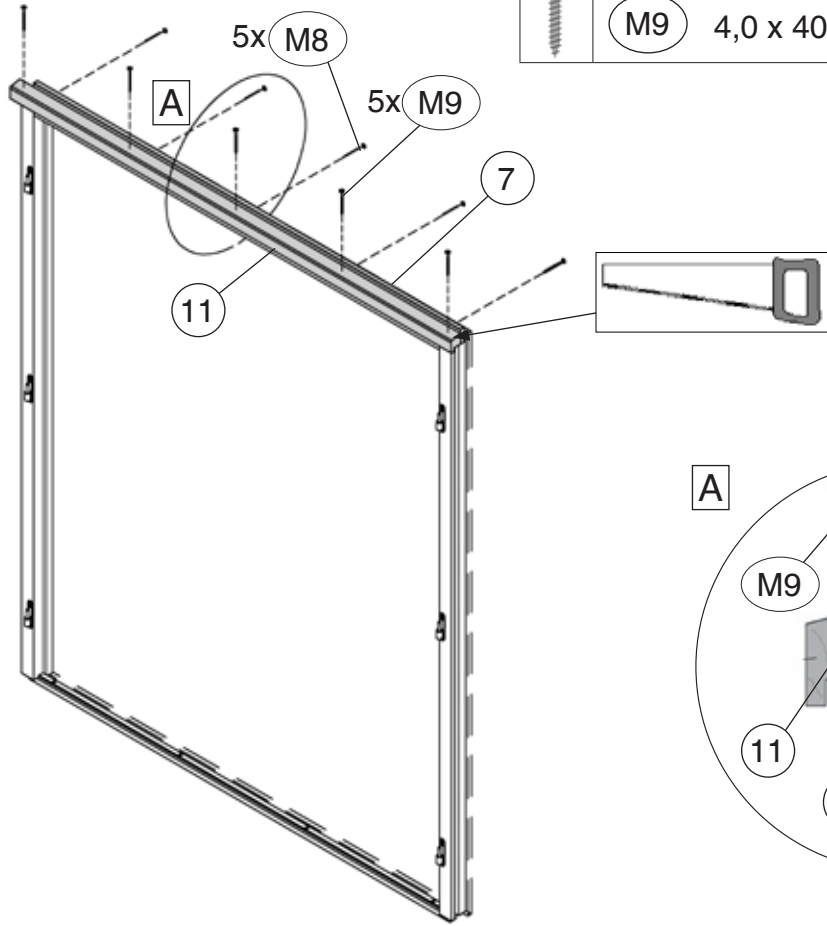


25



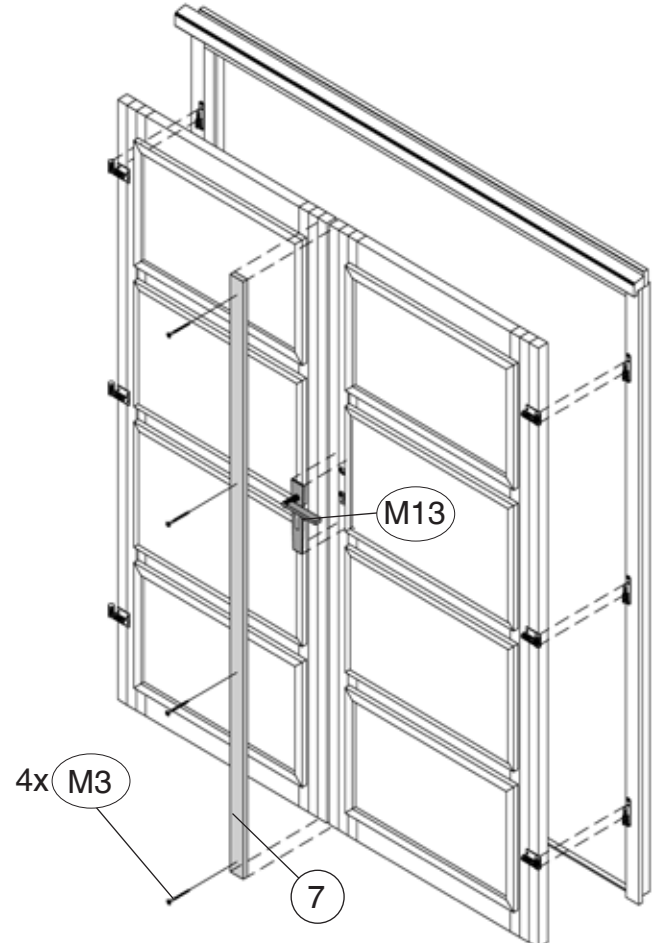
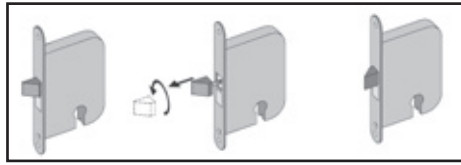
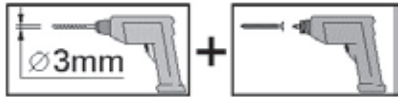
	M8	3,5 x 30
	M9	4,0 x 40


	M13




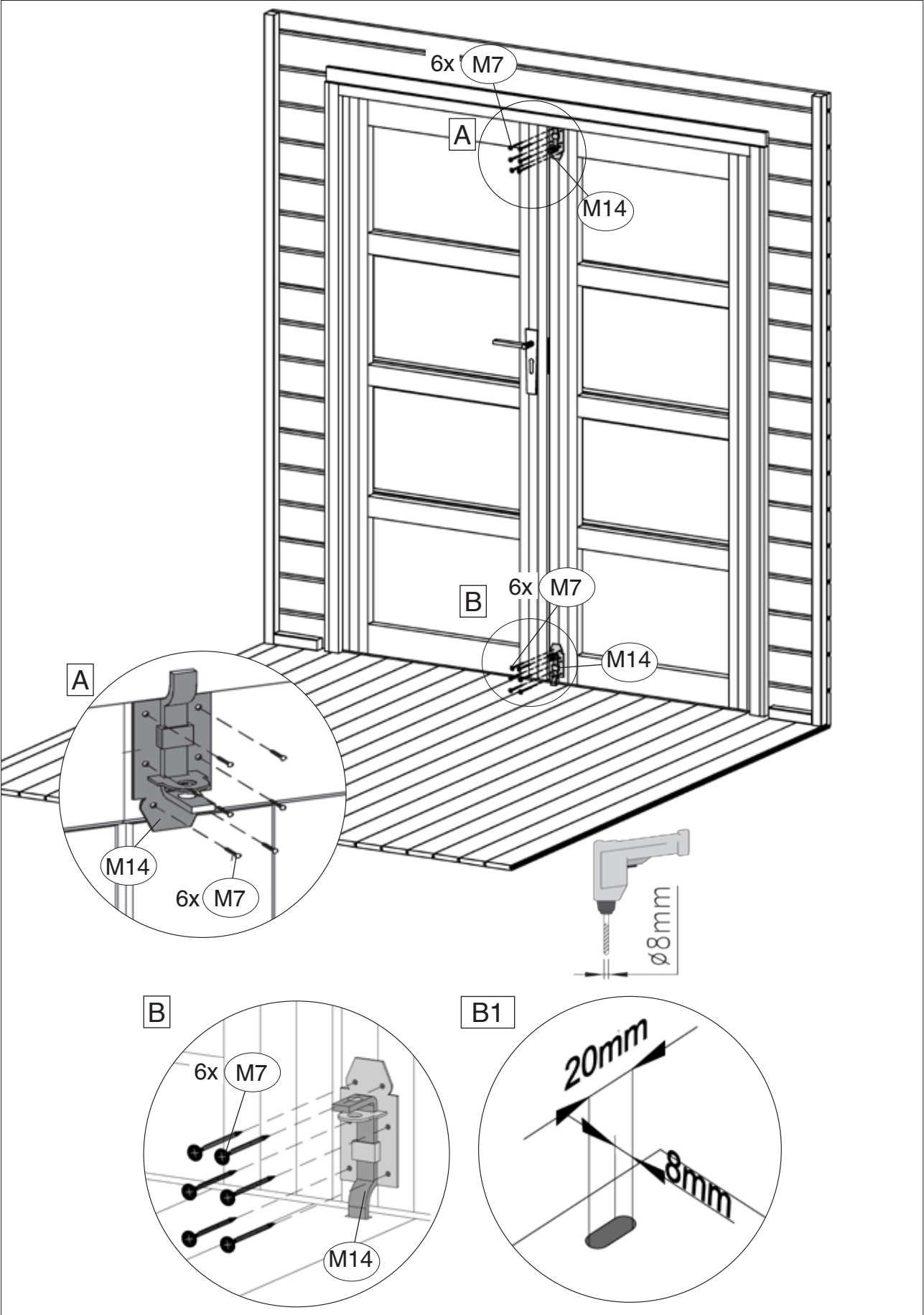
26

	M13
	M3

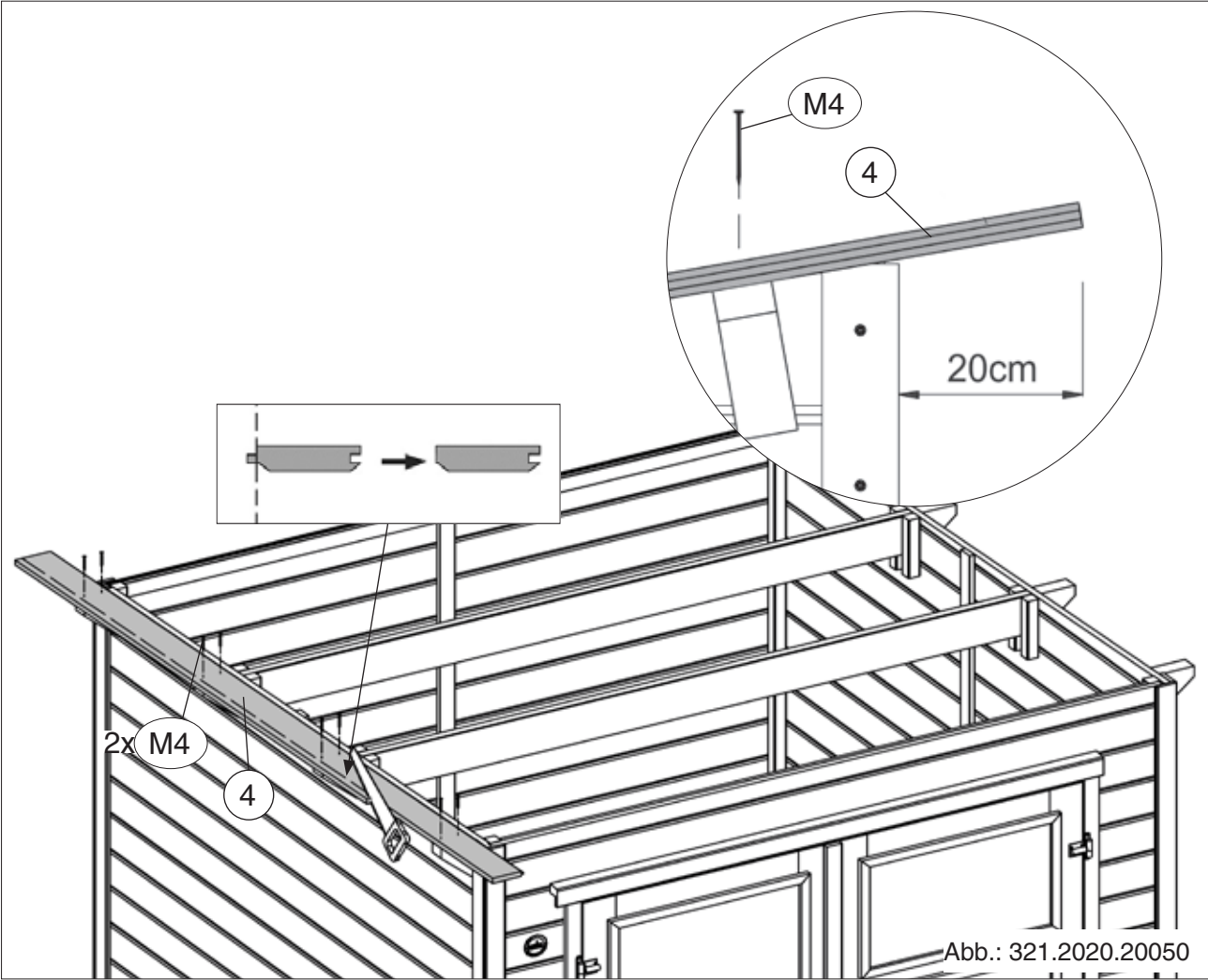


	M7 3,5 x 16

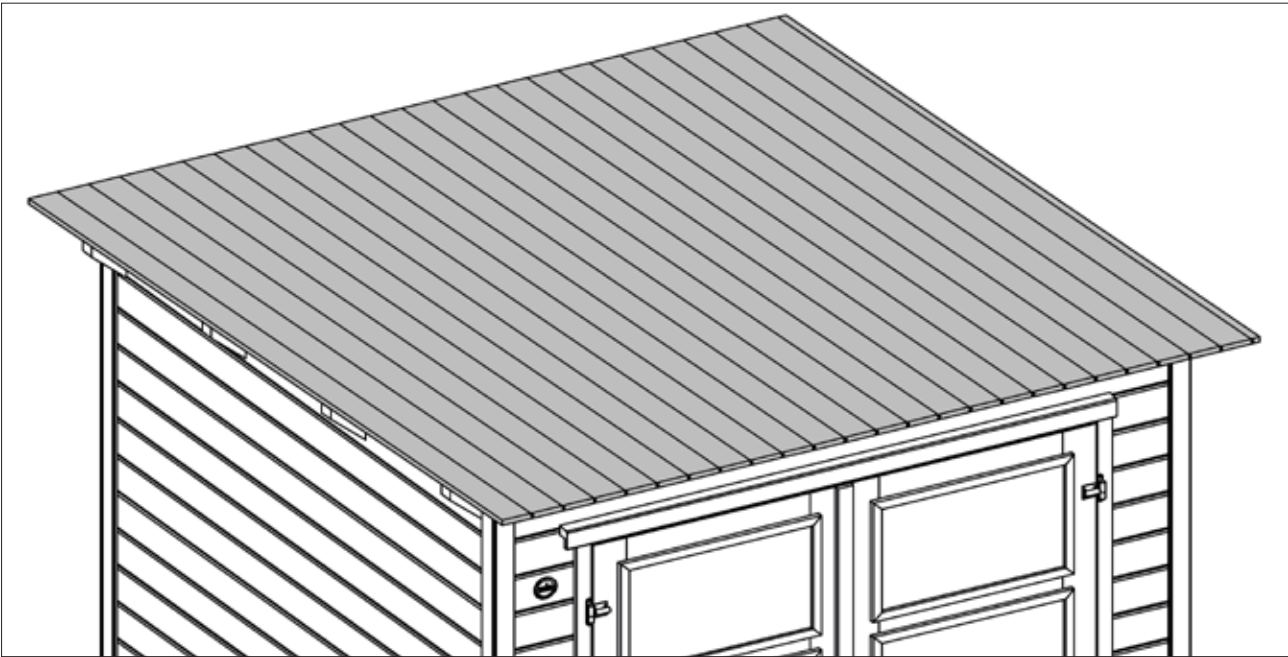
	M14 50 x 100




15

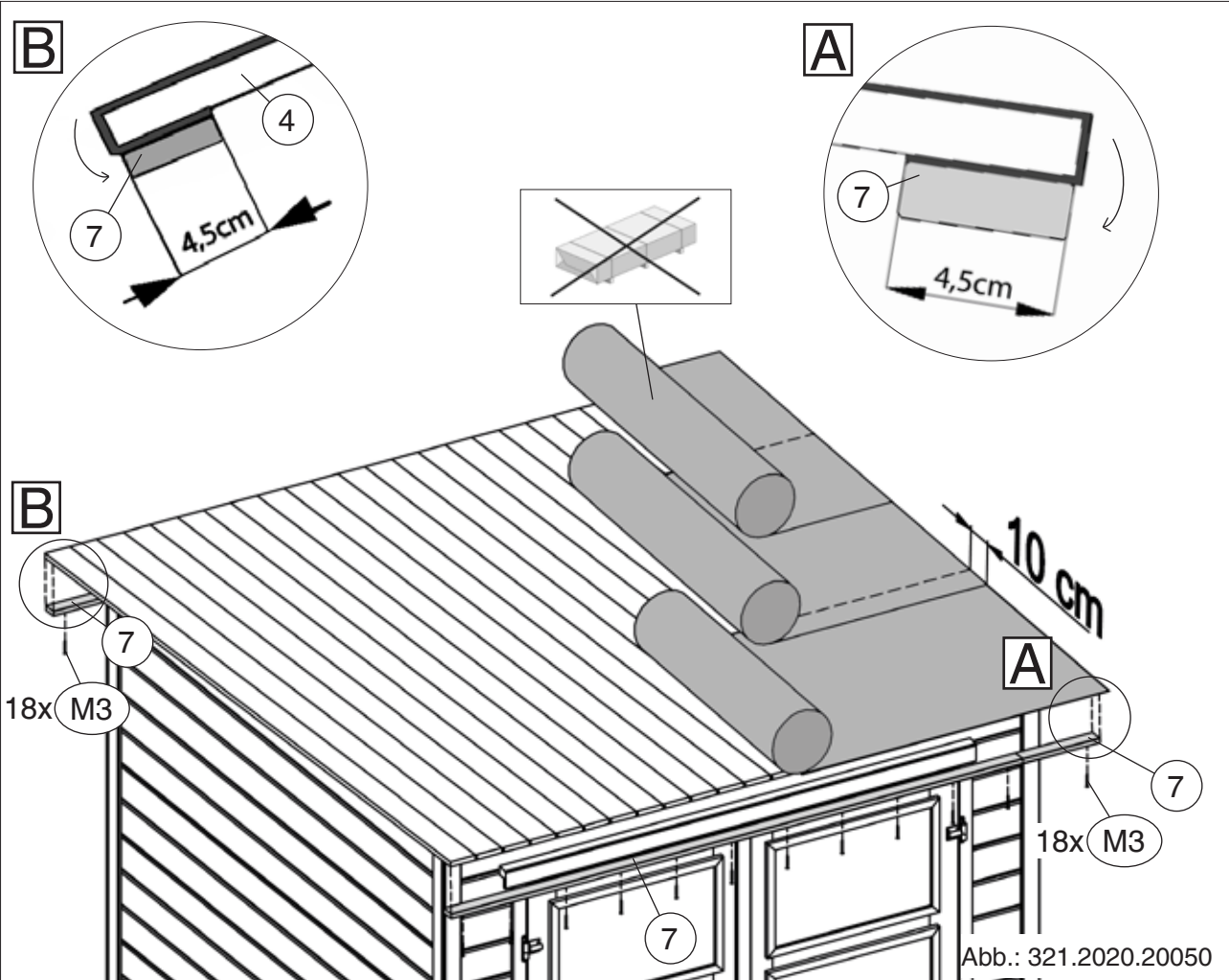


16

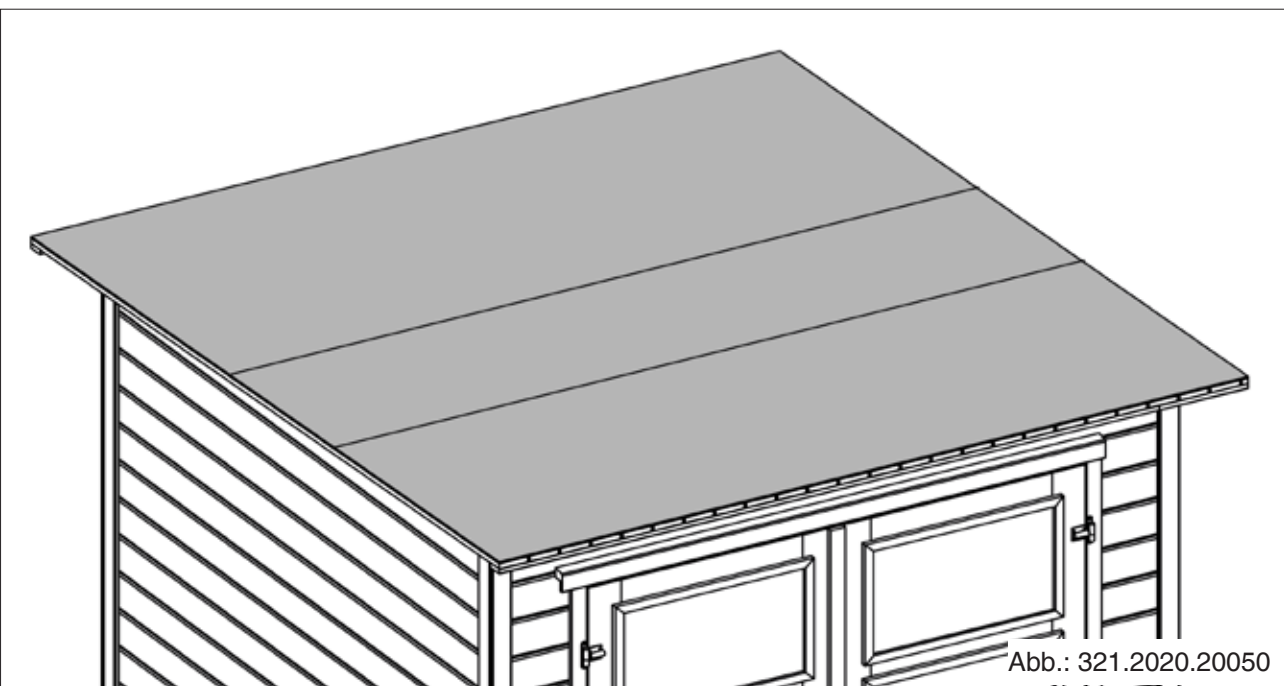


17

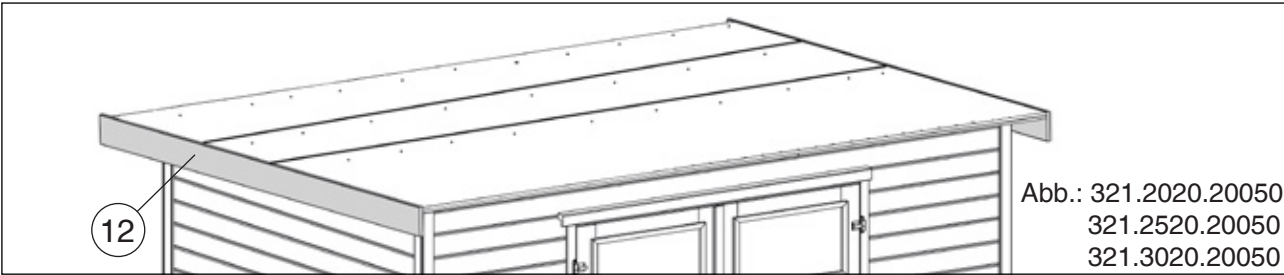
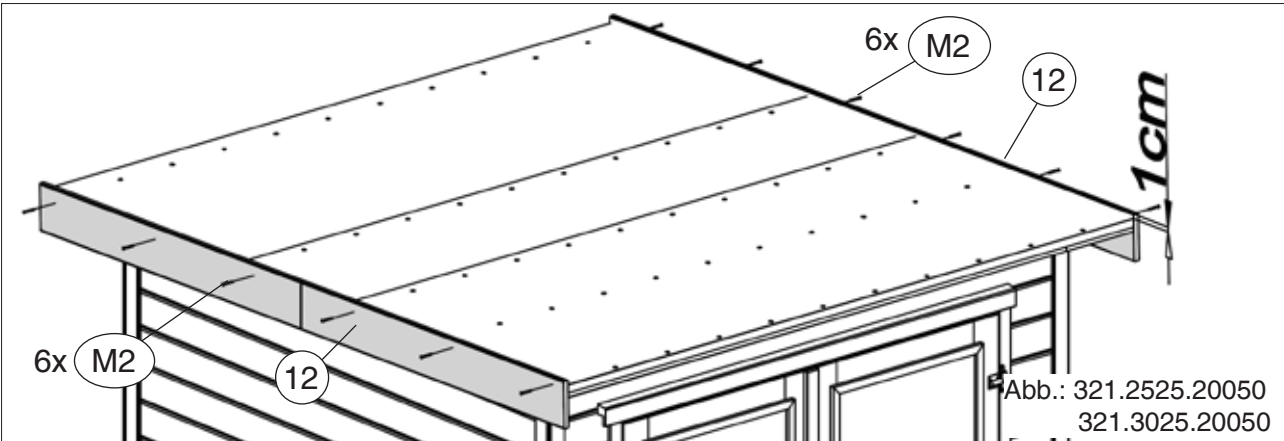
	M3 3,5 x 30
---	-------------



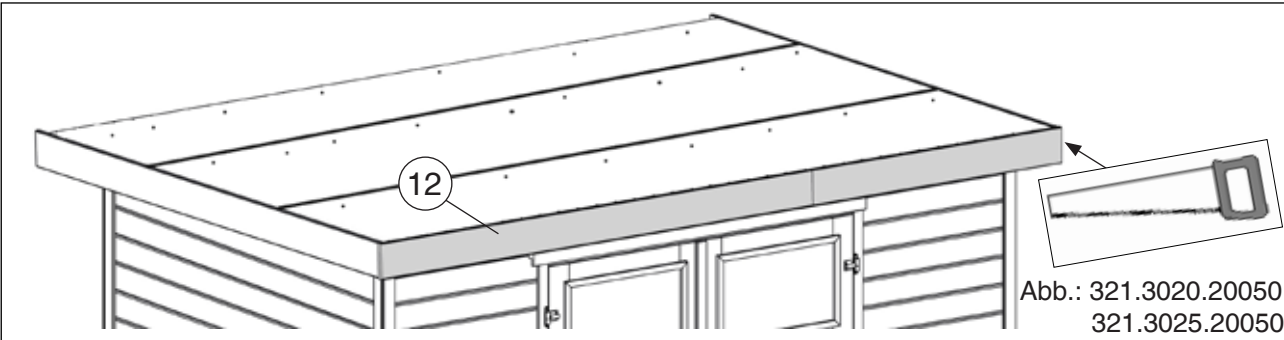
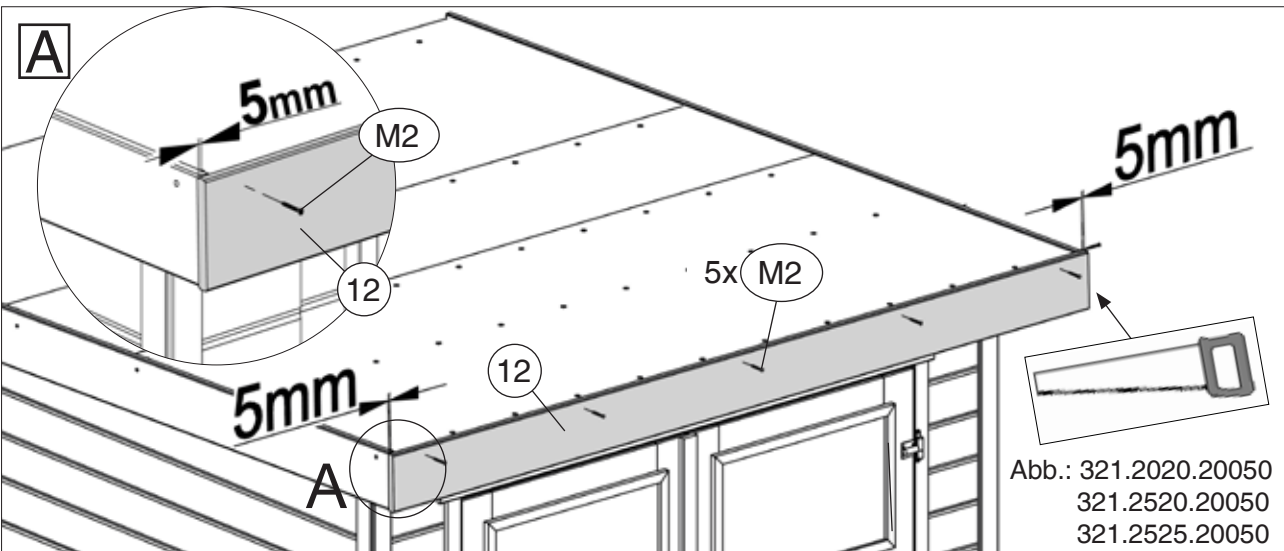
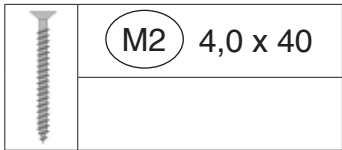
18



19



20



28

