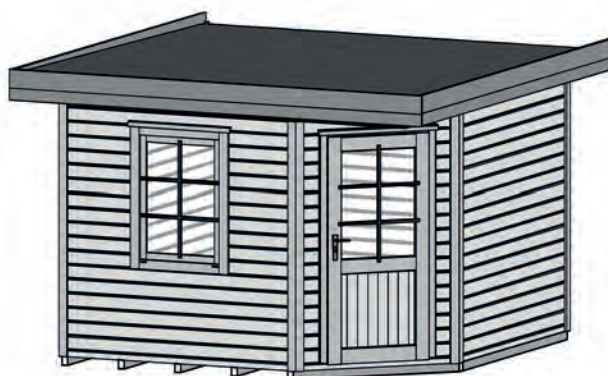




www.weka-holzbau.com



Blockhaus



213.2424.40010
213.2424.43010
213.2424.45010
213.2424.46010

213.3030.40010
213.3030.43010
213.3030.45010
213.3030.46010

Montage-, Bedienungs- und Wartungsanleitung



800.0286.18.51

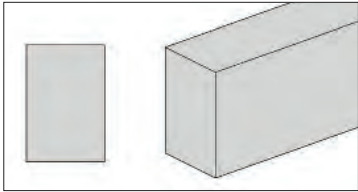
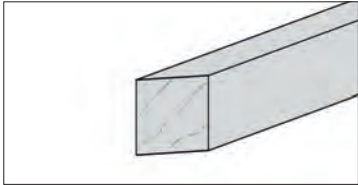
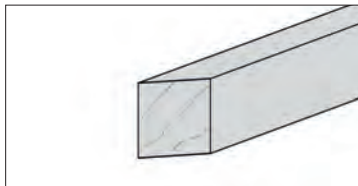
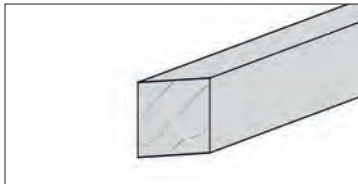
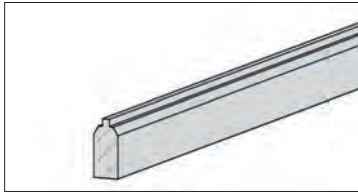
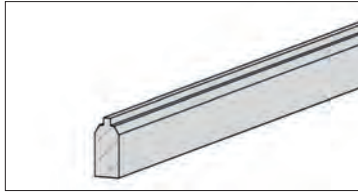
+

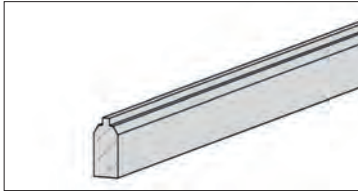
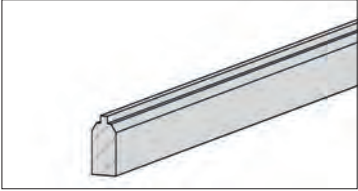
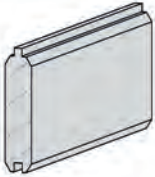
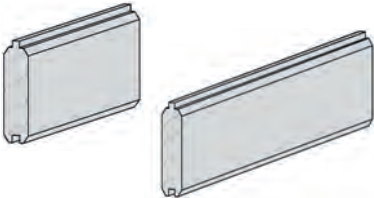
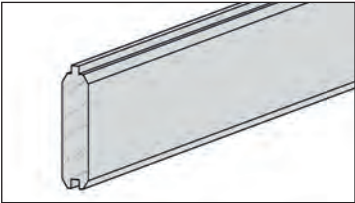
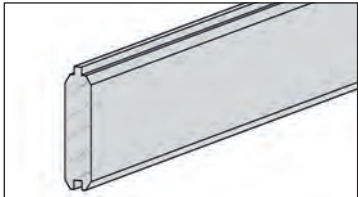



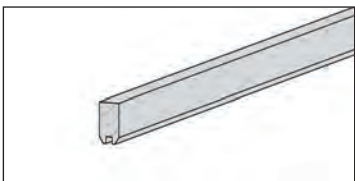
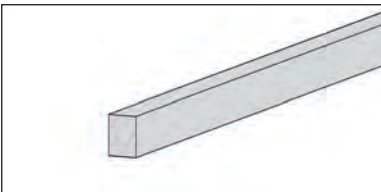
800.0286.20.02

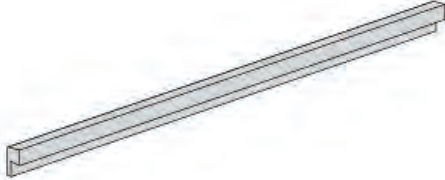
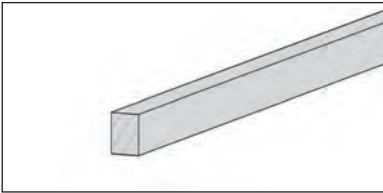
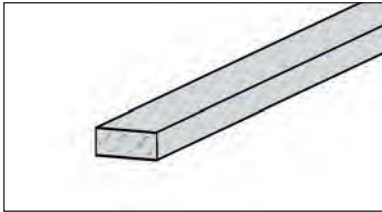
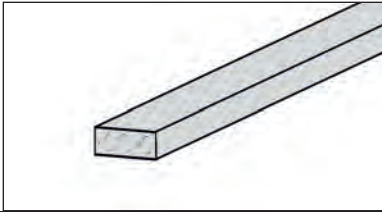
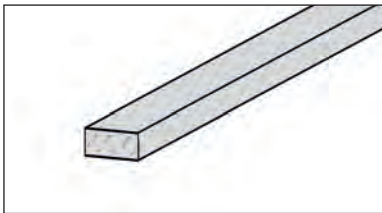

=



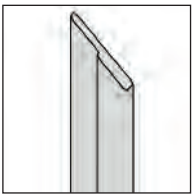

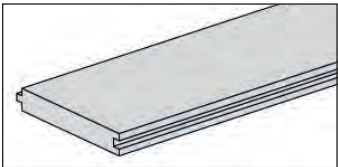
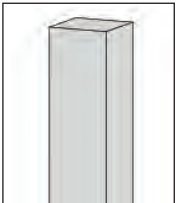


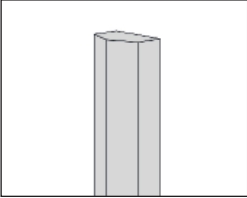
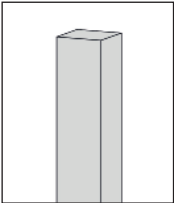



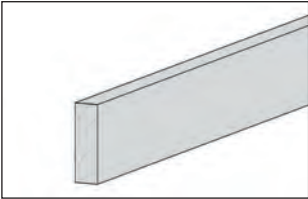
| Pos | Bild | Abmessung (mm) | Anzahl (Stück) | |
|-----|---|----------------------------------|------------------|----------------|
| | | | 213.2424.4X010 | 213.3030.4X010 |
| ① | <p>R002.0640.2378 R002.0640.2978</p>  | <p>50/70/2378 50/70/2978</p> | <p>4 -</p> | <p>- 5</p> |
| ② | <p>G100.02.0047</p>  | <p>50/70/1415</p> | <p>1</p> | <p>1</p> |
| ③ | <p>G100.02.0048 G100.02.0050</p>  | <p>50/70/1404 50/70/2004</p> | <p>1 -</p> | <p>- 1</p> |
| ④ | <p>G100.02.0049 G100.02.0051</p>  | <p>50/70/1892 50/70/2492</p> | <p>1 -</p> | <p>- 1</p> |
| ⑤ | <p>G122.01.0005 G126.208.0030 G126.211.0030 G126.212.0030</p> <p>G122.01.0006 G126.208.0037 G126.211.0037 G126.212.0037</p>  | <p>28/63/2350 28/63/2950</p> | <p>2 -</p> | <p>- 2</p> |
| ⑥ | <p>G122.01.0103 G126.206.0034 G126.211.0034 G126.212.0034</p> <p>G122.01.0106 G126.208.0039 G126.211.0039 G126.212.0039</p>  | <p>28/63/1385 28/63/1985</p> | <p>1 -</p> | <p>- 1</p> |

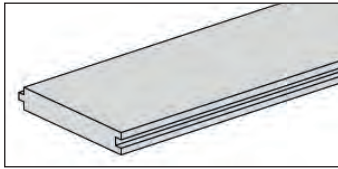
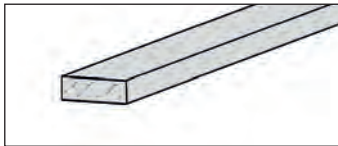

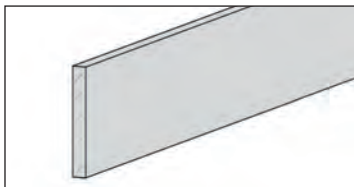
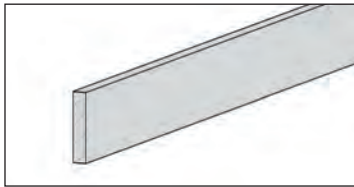

| Pos | Bild | Abmessung (mm) | Anzahl (Stück) | |
|-----|---|------------------------------------|------------------|-----------------|
| | | | 213.2424.4X010 | 213.3030.4X010 |
| 7 | <p>G122.01.0104 G126.208.0035 G126.211.0035 G126.212.0035</p> <p>G122.01.0107 G126.208.0040 G126.211.0040 G126.212.0040</p>  | <p>28/63/1413 28/63/2013</p> | <p>1 -</p> | <p>- 1</p> |
| 8 | <p>G122.01.0105 G126.208.0036 G126.211.0036 G126.212.0036</p>  | <p>28/63/1325</p> | <p>1</p> | <p>1</p> |
| 9 | <p>RXXX.0035.0195</p>  | <p>28/121/195</p> | <p>36</p> | <p>36</p> |
| 10 | <p>RXXX.0035.0274 RXXX.0035.0574</p>  | <p>28/121/274 28/121/574</p> | <p>20 -</p> | <p>- 20</p> |
| 11 | <p>RXXX.0035.1325</p>  | <p>28/121/1325</p> | <p>2</p> | <p>2</p> |
| 12 | <p>RXXX.0035.1385 RXXX.0035.1985</p>  | <p>28/121/1385 28/121/1985</p> | <p>9 -</p> | <p>- 9</p> |

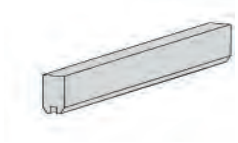
| Pos | Bild | Abmessung (mm) | Anzahl (Stück) | |
|-----|---|----------------------------|------------------|----------------|
| | | | 213.2424.4X010 | 213.3030.4X010 |
| 13 | RXXX.0035.1413 RXXX.0035.2013  | 28/121/1413 28/121/2013 | 19 - | - 19 |
| 14 | RXXX.0035.2350 RXXX.0035.2950  | 28/121/2350 28/121/2950 | 46 - | - 46 |
| 15 | G213.XXX.0001 G213.XXX.0002  | 28/54/2350 28/54/2950 | 2 - | - 2 |
| 16 | G122.01.0077 G126.208.0033 G126.211.0033 G126.212.0033 G122.01.0079 G126.208.0038 G126.211.0038 G126.212.0038  | 28/54/2350 28/54/2950 | 1 - | - 1 |
| 17 | B100.03.0060 B100.03.1060  | 35/60/990 | 1 | 1 |
| 18 | G100.01.0004  | 15/25/990 | 1 | 1 |













| Pos | Bild | Abmessung (mm) | Anzahl (Stück) | |
|-----|---|---------------------|------------------|----------------|
| | | | 213.2424.4X010 | 213.3030.4X010 |
| 19 | G100.01.0043 G126.10.0031  | 18,5/45/880 | 1 | 1 |
| 20 | G100.01.0004  | 15/25/880 | 1 | 1 |
| 21 | R002.0181.1130  | 15/28/1130 | 2 | 2 |
| 22 | R002.0181.2030  | 15/28/2030 | 2 | 2 |
| 23 | R002.0500.2000  | 15/25/2000 | 9 | 10 |
| 24 | B100.12.6430 B100.12.6470  | 965 x 2030 | 1 | 1 |

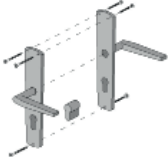

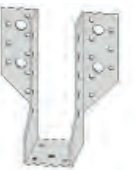
| Pos | Bild | Abmessung (mm) | Anzahl (Stück) | |
|-----|--|--------------------------------|------------------|----------------|
| | | | 213.2424.4X010 | 213.3030.4X010 |
| 25 | <p>B100.11.3410 B100.11.3470</p>  | 15/25/842 | 1 | 1 |
| 26 | <p>E100.12.0004</p>  | | 1 | 1 |
| 27 | <p>E100.12.0004</p>  | | 1 | 1 |
| 28 | <p>E100.12.0004</p>  | | 1 | 1 |
| 29 | <p>R002.0087.2320</p>  | 18,5/121/2320 18,5/121/2922 | 21 - | - 27 |
| 30 | <p>R002.0225.0310</p>  | 40/40/310 | 1 | 1 |

| Pos | Bild | Abmessung (mm) | Anzahl (Stück) | |
|-----|---|----------------------------|------------------|----------------|
| | | | 213.2424.4X010 | 213.3030.4X010 |
| 31 | G149.01.0011  | 40/60/2480 | 2 | 2 |
| 32 | R002.0225.2490  | 40/40/2490 | 3 | 3 |
| 33 | RXXX.0425.2270 RXXX.0425.0285  | 18,5/70/2270 | 6 | 6 |
| 33a | | 18,5/70/285 | 2 | 2 |
| 34 | G126.10.0036 G149.01.0009  | 18,5/70/2326 | 4 | 4 |
| 35 | R002.0350.0200  | 45/146/200 | 8 | 8 |
| 36 | R002.0350.2322 R002.0350.2922  | 45/146/2322 45/146/2922 | 3 - | - 3 |

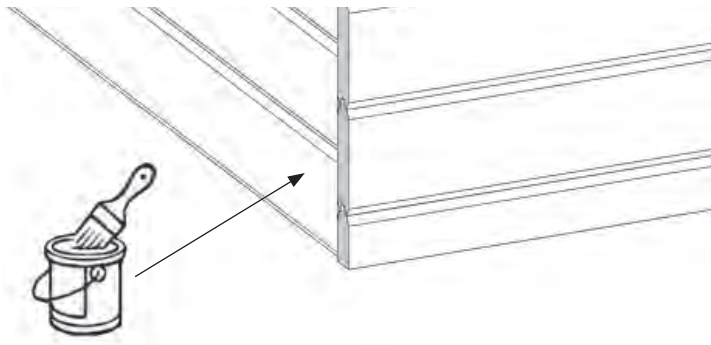
| Pos | Bild | Abmessung (mm) | Anzahl (Stück) | |
|-----|---|--------------------------------|------------------|----------------|
| | | | 213.2424.4X010 | 213.3030.4X010 |
| 37 | R002.0087.2770 R002.0087.3344  | 18,5/121/2770 18,5/121/3344 | 25 - | - 30 |
| 38 | R002.0530.1775  | 15/45/1775 | 4 | 4 |
| 39 | G122.01.0038  | 28/28/150 | 6 | 6 |
| 40 | RXXX.0560.2840 RXXX.0560.3560  | 18,5/146/2840 18,5/146/3560 | 3 - | - 3 |
| 41 | RXXX.0540.2840 RXXX.0540.3560  | 18,5/96/2840 18,5/96/3560 | 3 - | - 3 |
| 42 | B213.01.0001  | 900 x 1274 | 1 | 1 |

| Pos | Bild | Abmessung (mm) | Anzahl (Stück) | |
|-----|---|---------------------|------------------|----------------|
| | | | 213.2424.4X010 | 213.3030.4X010 |
| 43 |  | 28/60/300 | 4 | 4 |

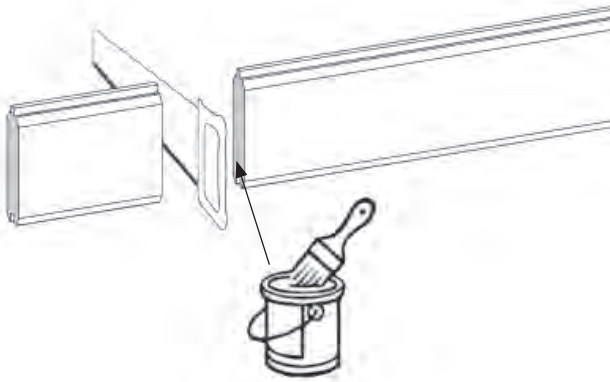
| Pos | Bild | Abmessung (mm) | Stück | |
|-----|--|---------------------|----------------|----------------|
| | | | 213.2424.4X010 | 213.3030.4X010 |
| M1 | K001.1050.0004  | 5,0 x 100 | 60 | 60 |
| M2 | K001.8050.0004  | 5,0 x 80 | 5 | 5 |
| M3 | K001.6040.0004  | 4,0 x 60 | 500 | 500 |
| M4 | K001.4040.0004  | 4,0 x 40 | 100 | 100 |
| M5 | K001.3535.0004  | 3,5 x 35 | 140 | 140 |
| M6 | K001.3035.0004  | 3,5 x 30 | 35 | 35 |
| M7 | K002.2550.0004  | 5,0 x 25 | 110 | 110 |
| M8 | K010.5022.0001  | 2,2 x 55 | 950 | 950 |
| M9 | K010.3016.0001  | 1,6 x 30 | 30 | 30 |
| M10 | - | - | - | - |
| M11 | K022.8222.0001  | 82 x 220 | 6 | 6 |
| M12 | K008.5008.0001 K024.0800.0001  | 8,0 x 50 | 12 | 12 |
| M13 | K020.8400.0011  | | 12 | 12 |

| Pos | Bild | Abmessung (mm) | Stück | |
|-----|---|---------------------|----------------|----------------|
| | | | 213.2424.4X010 | 213.3030.4X010 |
| M14 | K045.1270.0001 K036.3135.0001  | | 1 | 1 |
| M15 | K046.2860.0006  | | 1 | 1 |
| M16 | K074.4513.0000  | 45 x 137 | 6 | 6 |

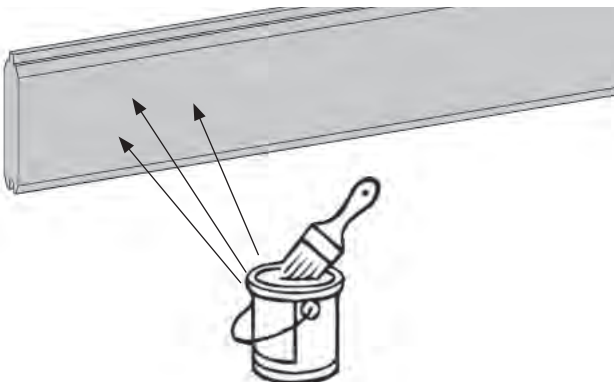
1.



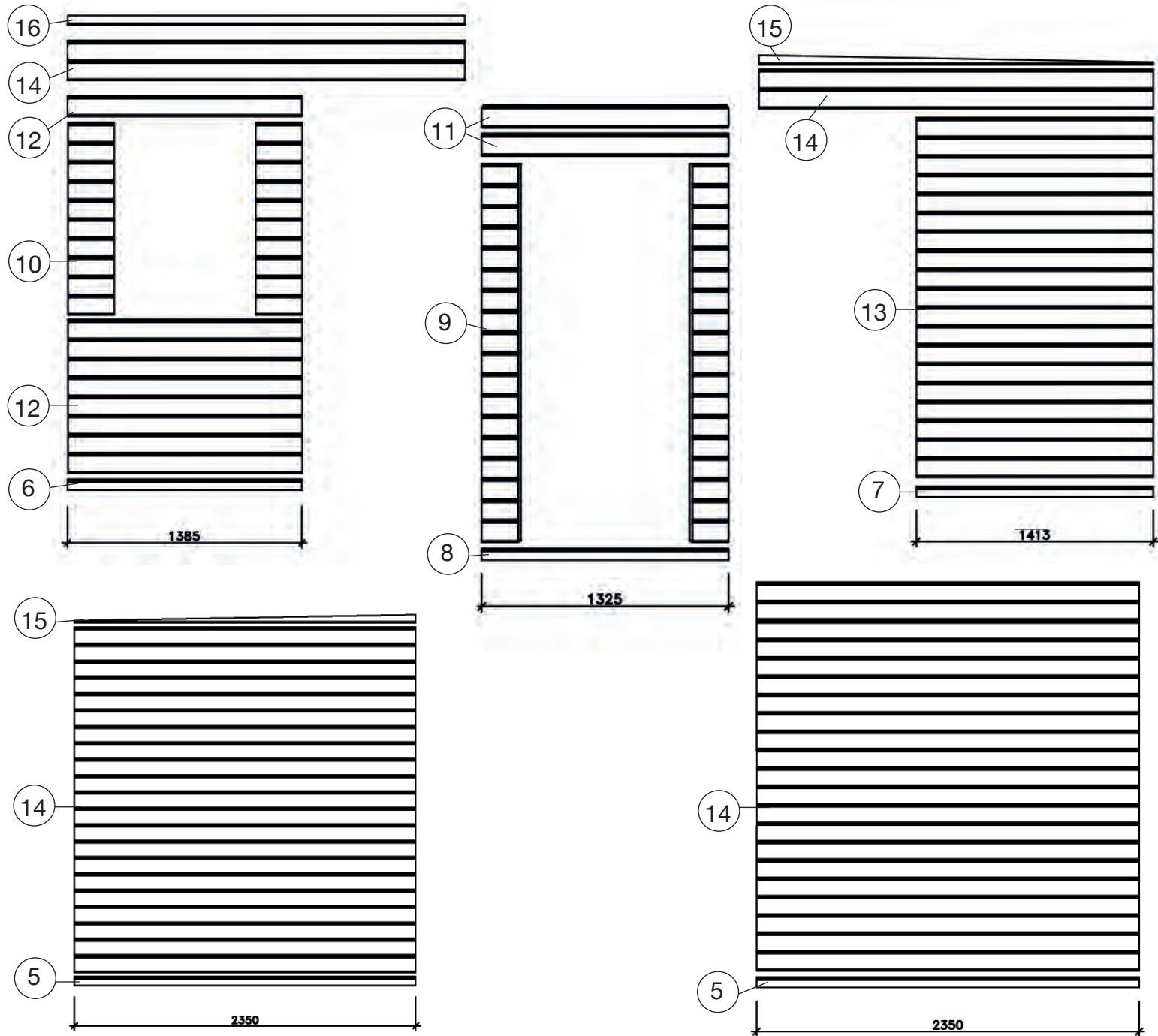
2.



3.

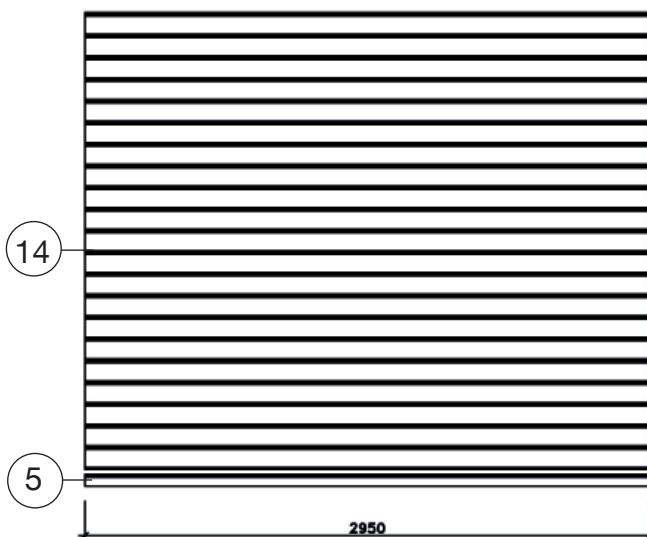
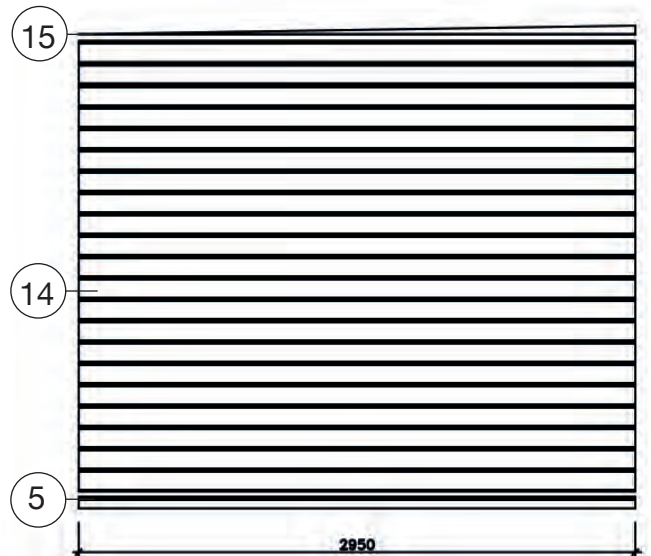
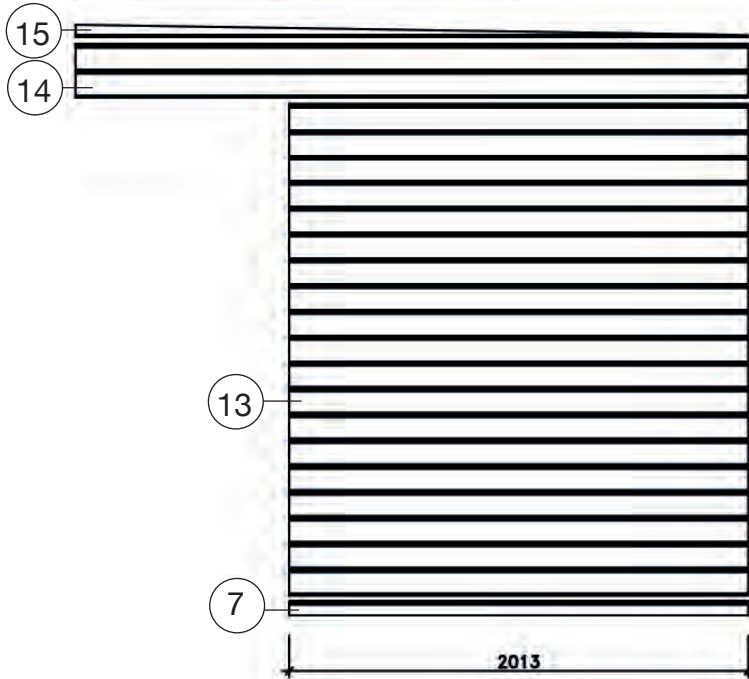
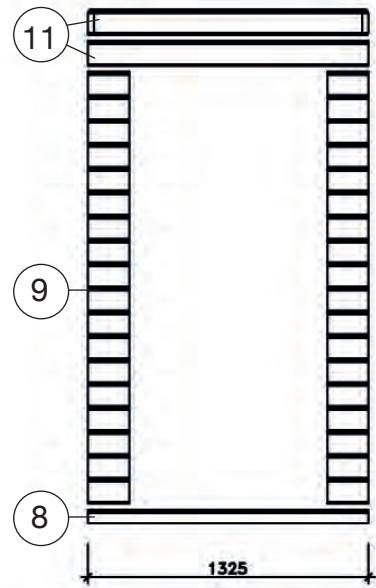
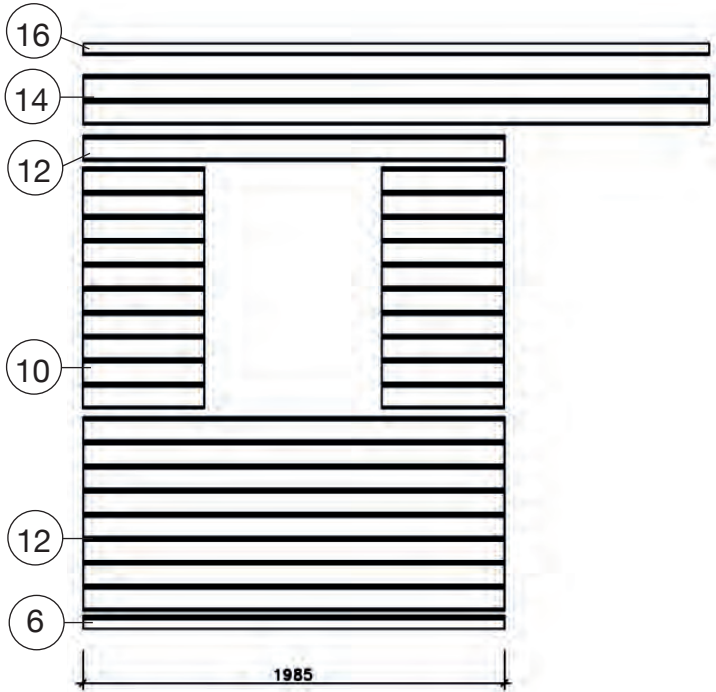


Art.-Nr.:213.2424.4X010



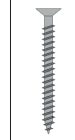
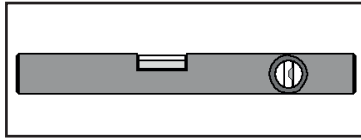
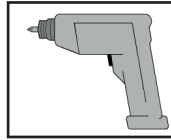
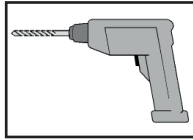
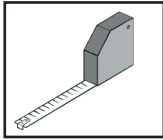
| Pos. | Artikelnummer | Abmessung in mm | Stück |
|------|----------------|-----------------|-------|
| 5 | G122.01.0005 | 28/63/2350 | 2 |
| 6 | G122.01.0103 | 28/63/1385 | 1 |
| 7 | G122.01.0104 | 28/63/1413 | 1 |
| 8 | G122.01.0105 | 28/63/1325 | 1 |
| 9 | R002.0035.0195 | 28/121/195 | 36 |
| 10 | R002.0035.0274 | 28/121/274 | 20 |
| 11 | R002.0035.1325 | 28/121/1325 | 2 |
| 12 | R002.0035.1385 | 28/121/1385 | 9 |
| 13 | R002.0035.1413 | 28/121/1413 | 19 |
| 14 | R002.0035.2350 | 28/121/2350 | 46 |
| 15 | G213.01.0001 | 28/54/2350 | 2 |
| 16 | G122.01.0077 | 28/54/2350 | 1 |

Art.-Nr.:213.3030.4X010



| Pos. | Artikelnummer | Abmessung in mm | Stück |
|------|----------------|-----------------|-------|
| 5 | G122.01.0006 | 28/63/2950 | 2 |
| 6 | G122.01.0106 | 28/63/1985 | 1 |
| 7 | G122.01.0107 | 28/63/2013 | 1 |
| 8 | G122.01.0105 | 28/63/1325 | 1 |
| 9 | R002.0035.0195 | 28/121/195 | 36 |
| 10 | R002.0035.0574 | 28/121/574 | 20 |
| 11 | R002.0035.1325 | 28/121/1325 | 2 |
| 12 | R002.0035.1985 | 28/121/1985 | 9 |
| 13 | R002.0035.2013 | 28/121/2013 | 19 |
| 14 | R002.0035.2950 | 28/121/2950 | 46 |
| 15 | G213.01.0002 | 28/54/2950 | 2 |
| 16 | G122.01.0079 | 28/54/2950 | 1 |

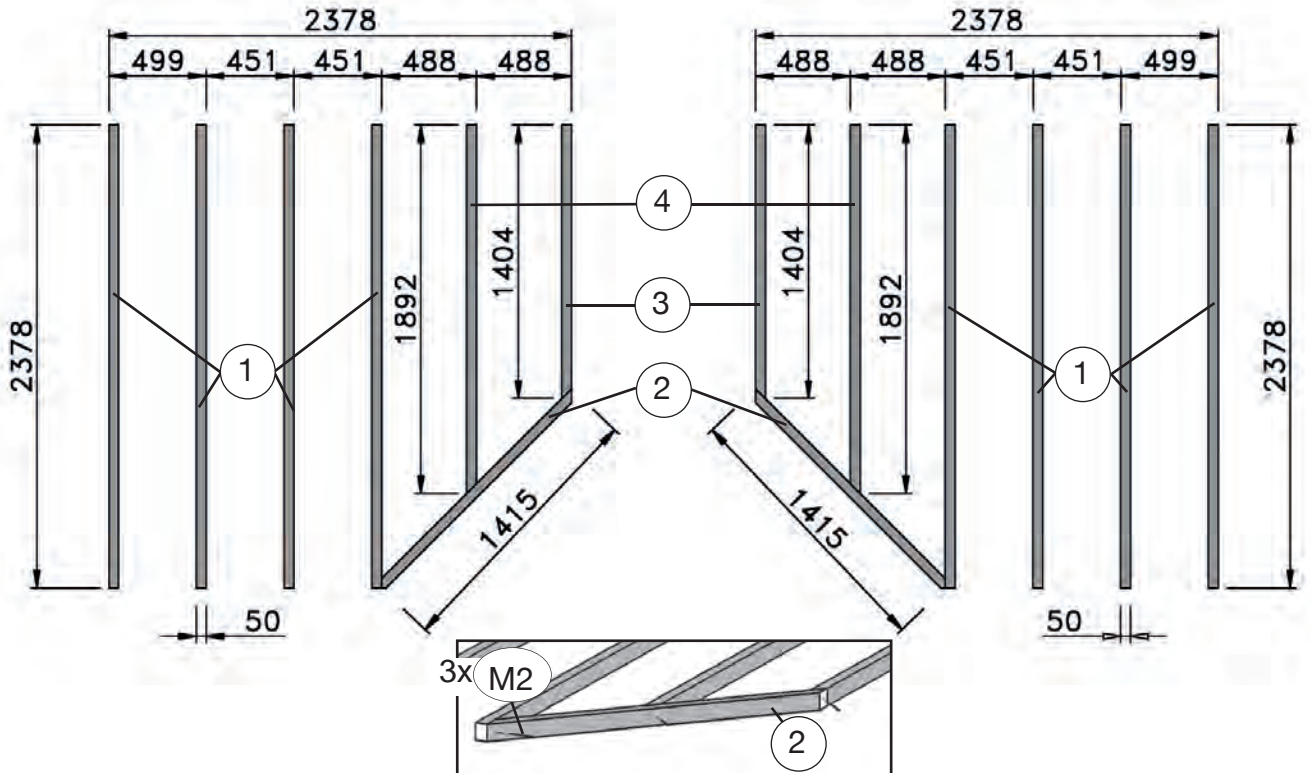
1



M2 5,0 x 80

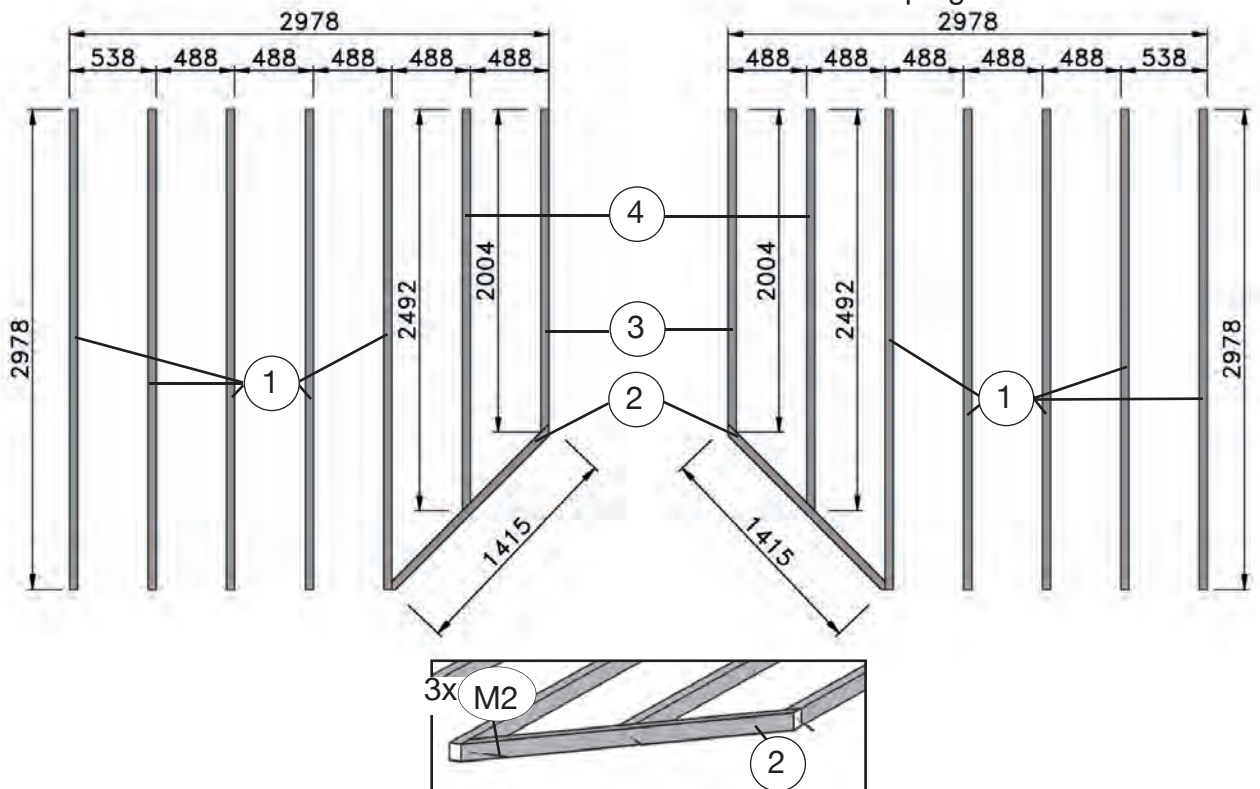
Art.-Nr.:213.2424.4X010

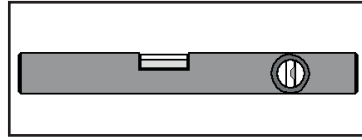
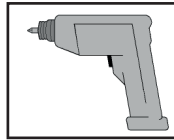
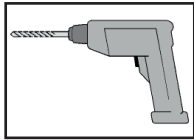
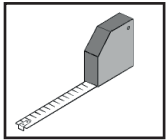
Spiegelverkehrt



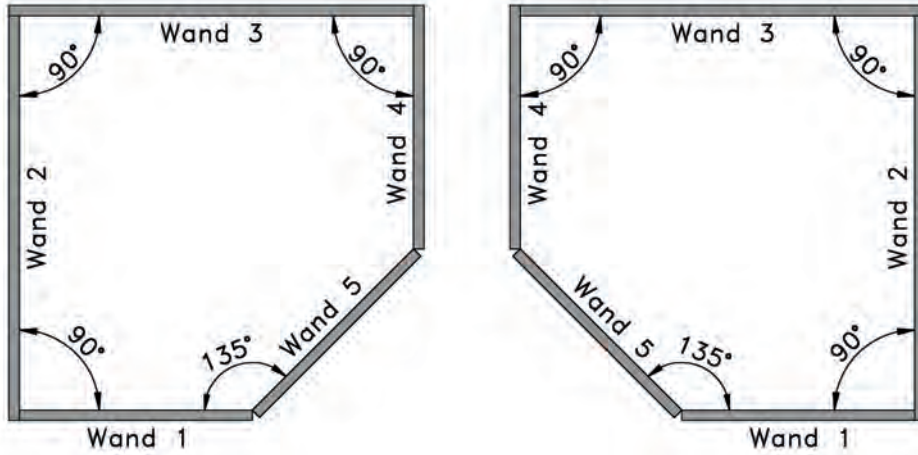
Art.-Nr.:213.3030.4X00X

Spiegelverkehrt

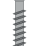





Spiegelverkehrt



2

| | | |
|---|----|-----------|
|  | M1 | 5,0 x 100 |
|  | M3 | 4,0 x 60 |

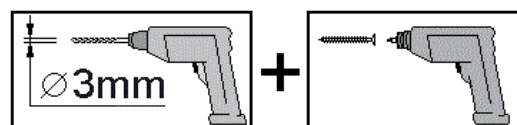
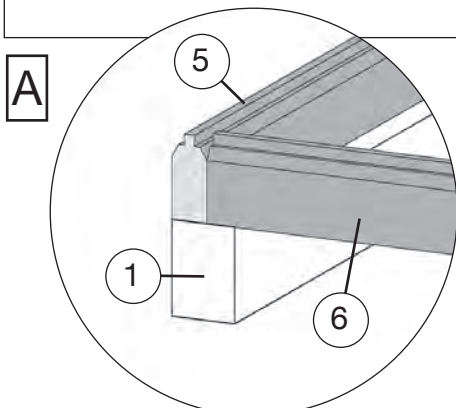
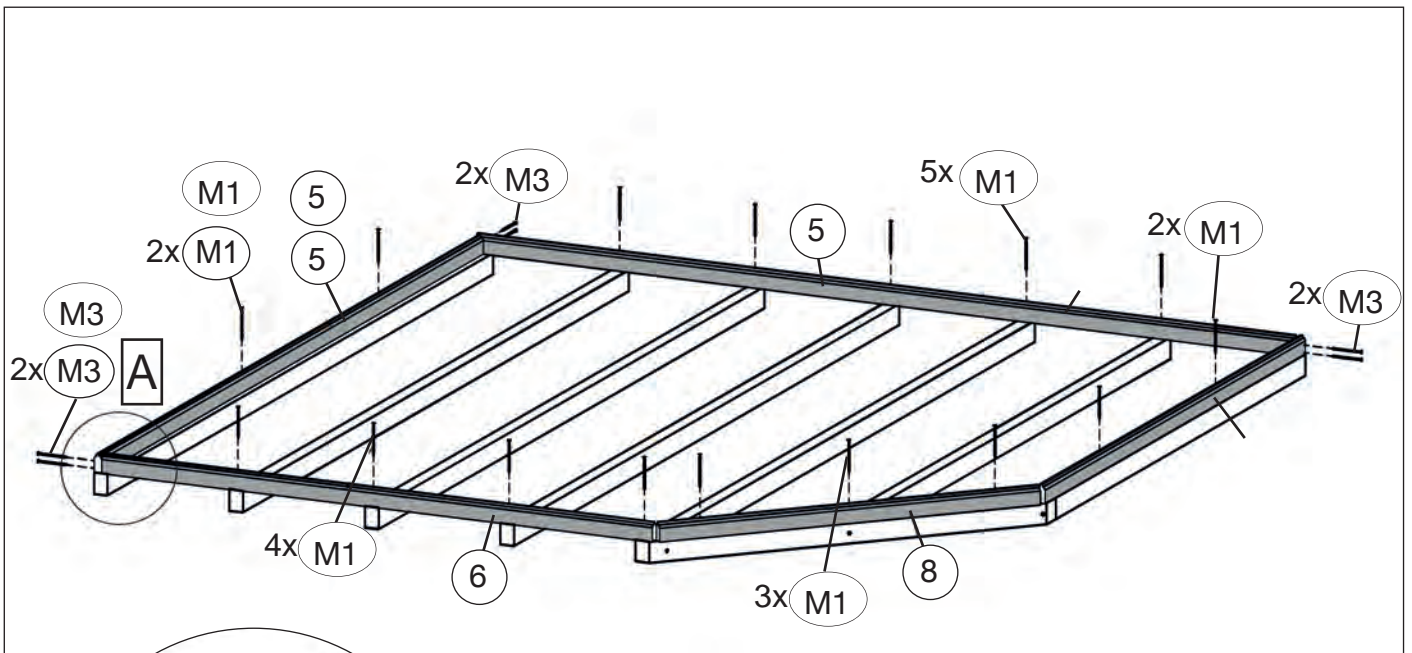



Abb.: 100.2725.20010

3

| | |
|--|-------------|
|  | M8 2,2 x 55 |
| | |

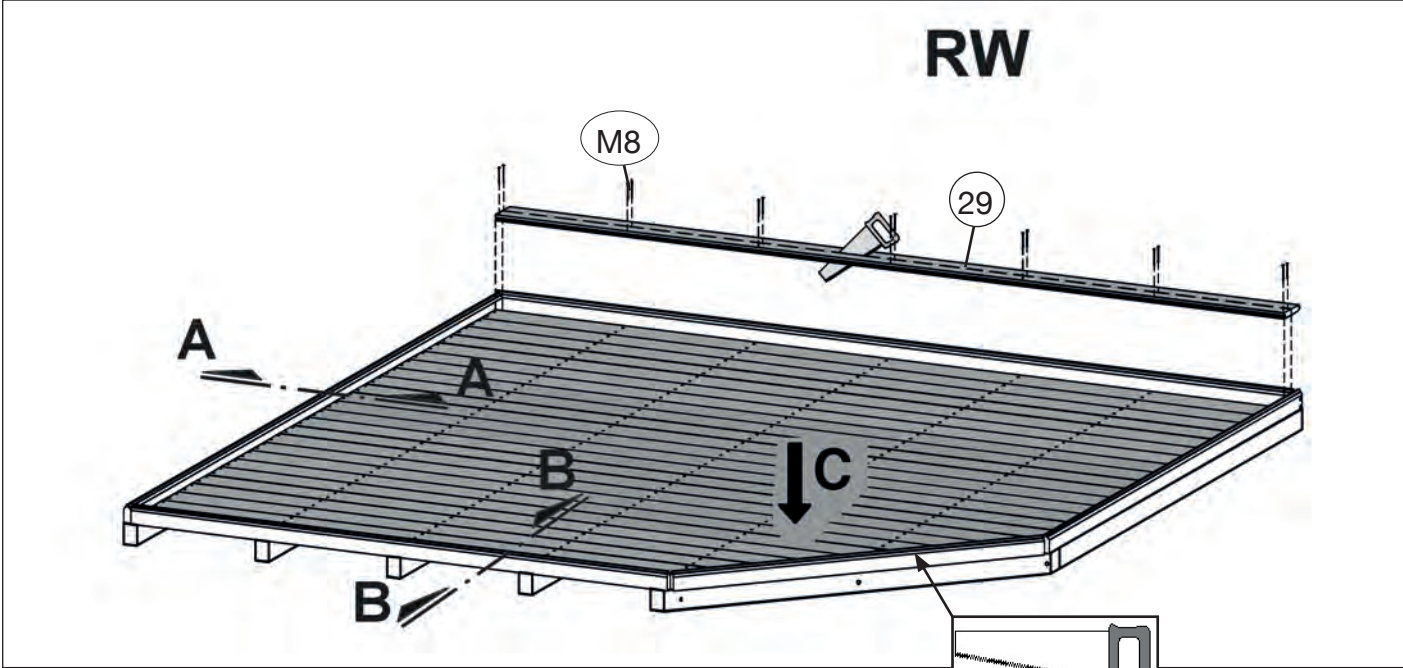
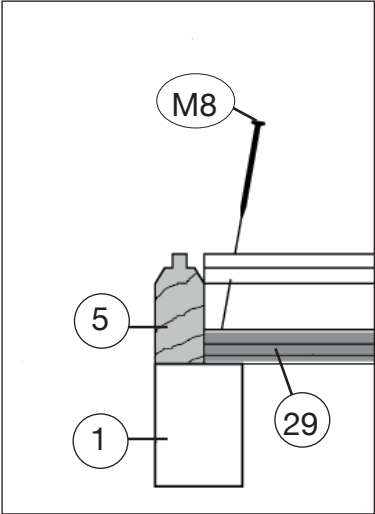
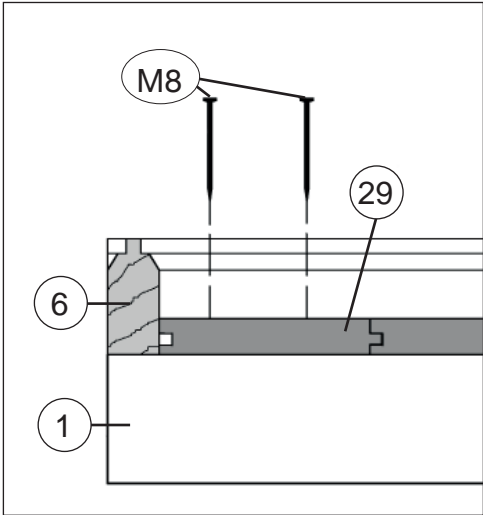


Abbildung Art.-Nr.: 213.3030.4X010

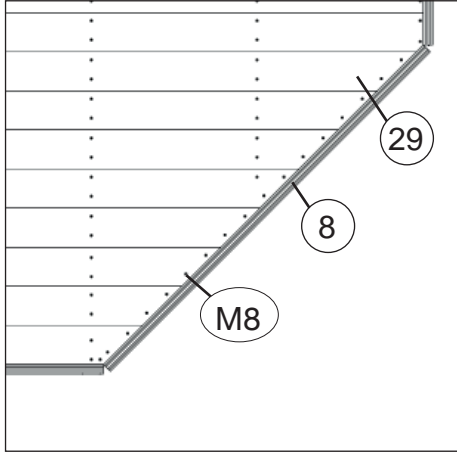
A-A




B-B

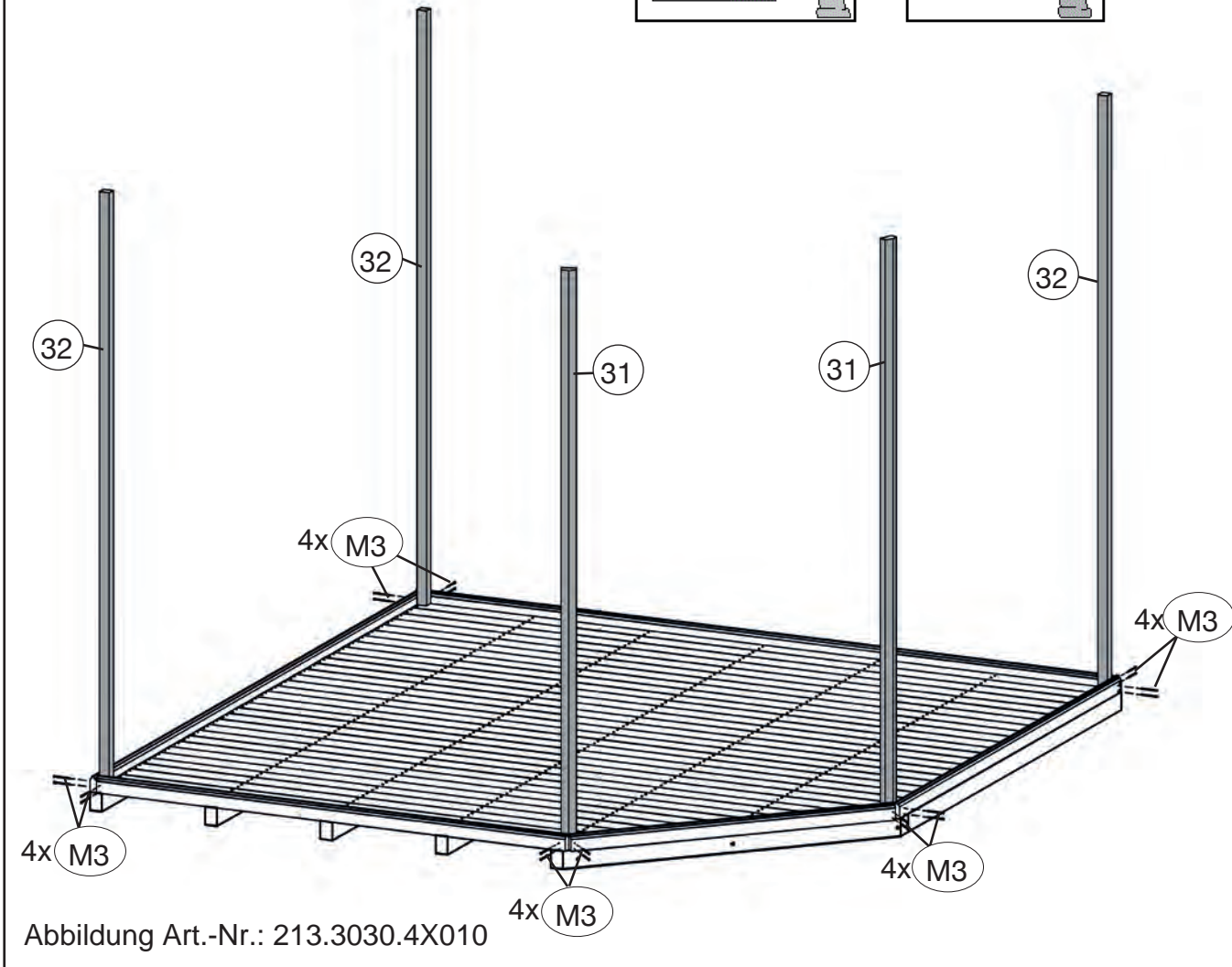
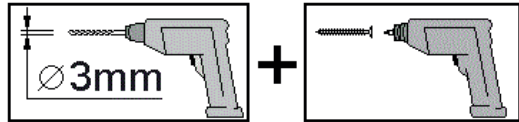


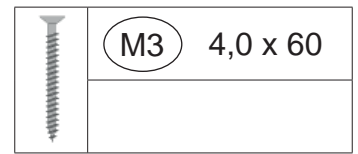
Ansicht C



4

| | |
|--|-------------|
|  | M3 4,0 x 60 |
|--|-------------|





Wandaufbau

| | |
|----|------------------------|
| en | Wall structure |
| fr | montage de la paroi |
| it | struttura della parete |

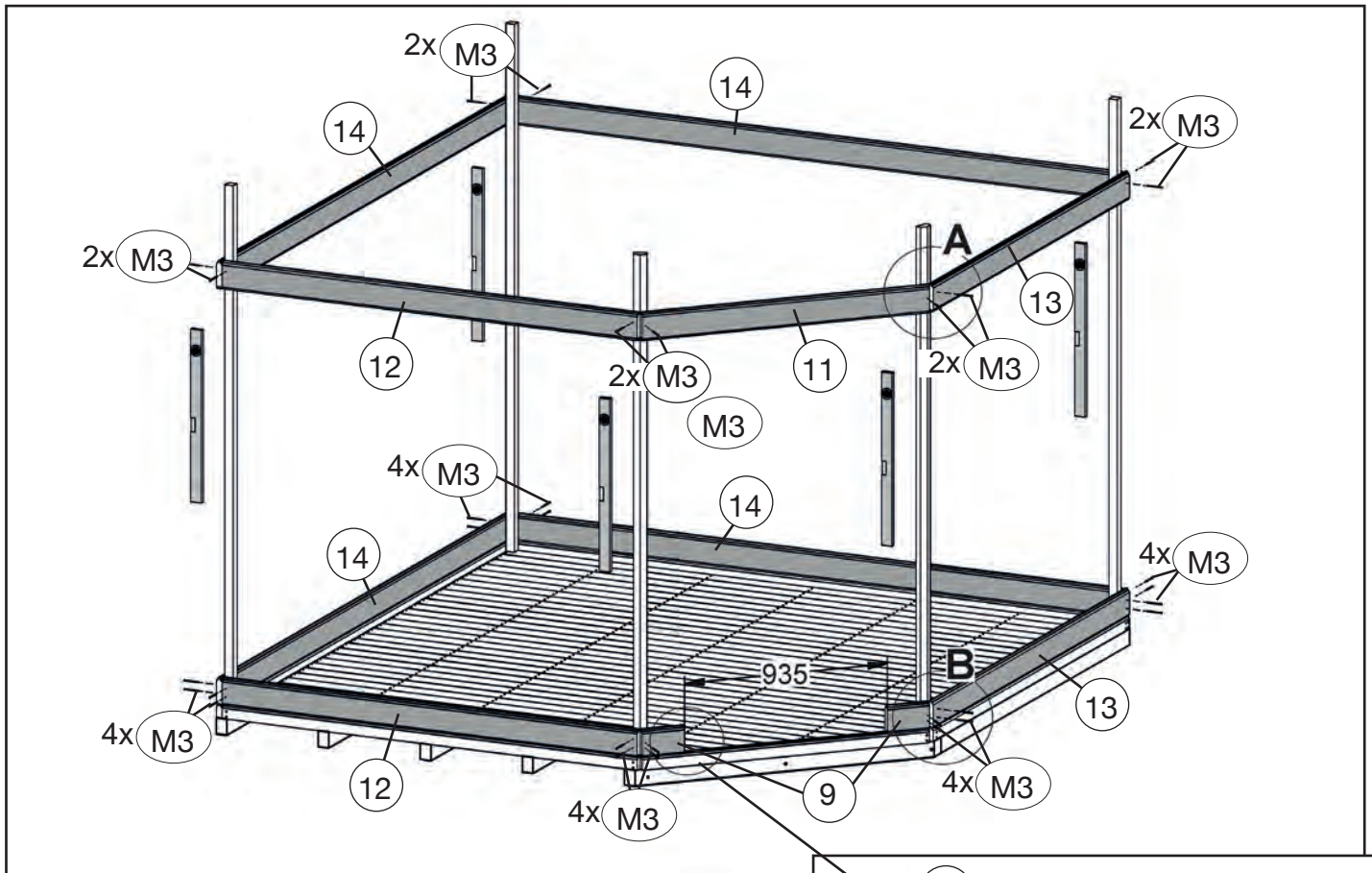
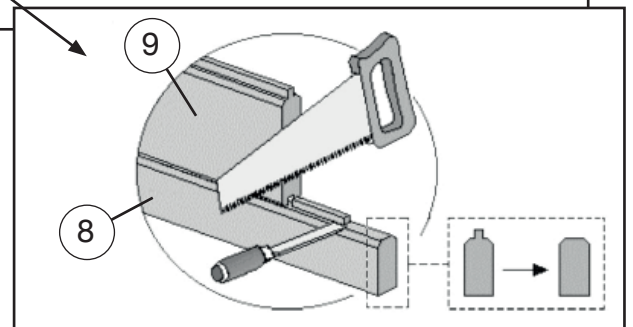
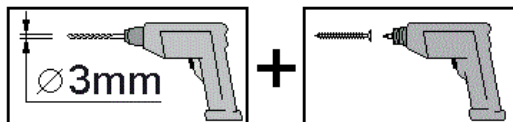


Abbildung Art.-Nr.: 213.3030.4X010

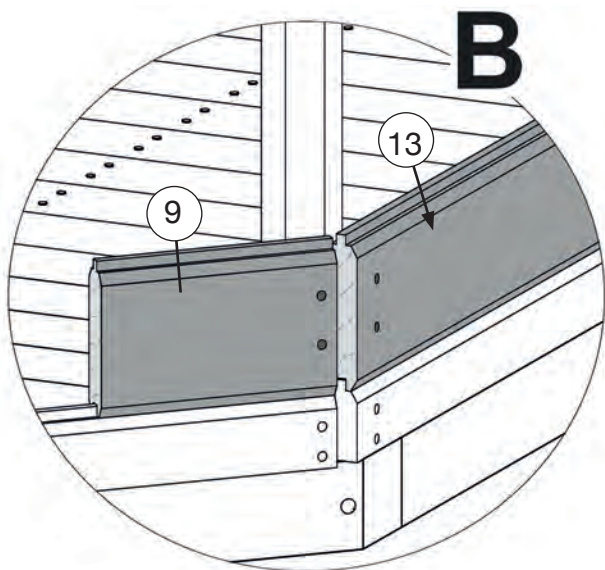
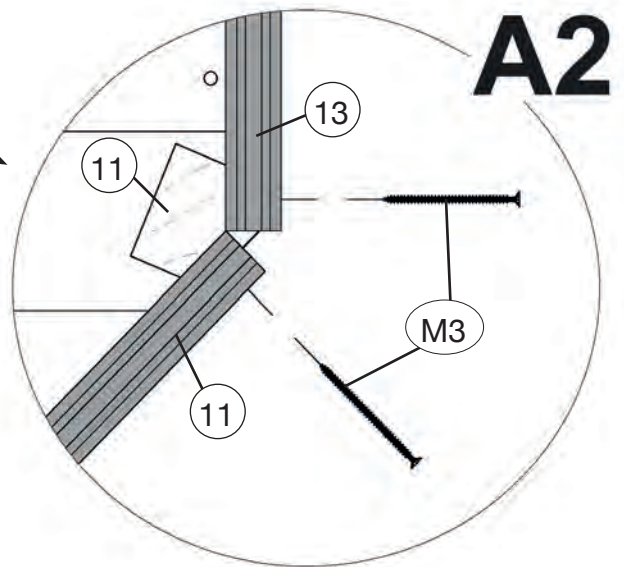
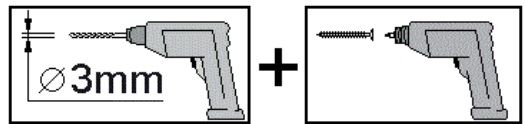
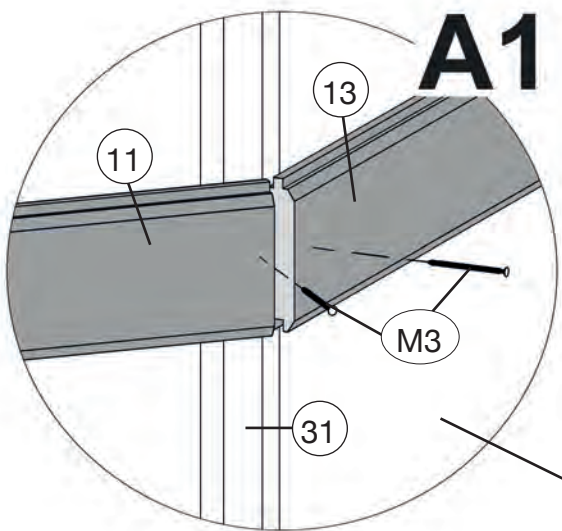


- de - Die oberen Wandbohlen werden nur vorübergehend als Montagehilfe befestigt (Abb.5), später wieder abgenommen und an anderer Stelle montiert. (Abb.7)


- en - The upper wall boards are only temporarily fixed as a mounting aid (fig. 5), they are later removed and mounted again in another position (fig. 7).

- fr - Les madriers supérieurs ne sont fixés que provisoirement pour faciliter le montage (Fig.5). Ils seront retirés par la suite et montés à un autre endroit. (Fig. 7)

- it - Le assi superiori delle pareti vengono montate solo provvisoriamente come supporto per l'assemblaggio Fig.5), e successivamente di nuovo rimosse ed installate in altro luogo. (Fig.7)



6

| | |
|---|-------------|
|  | M8 2,2 x 55 |
| | |

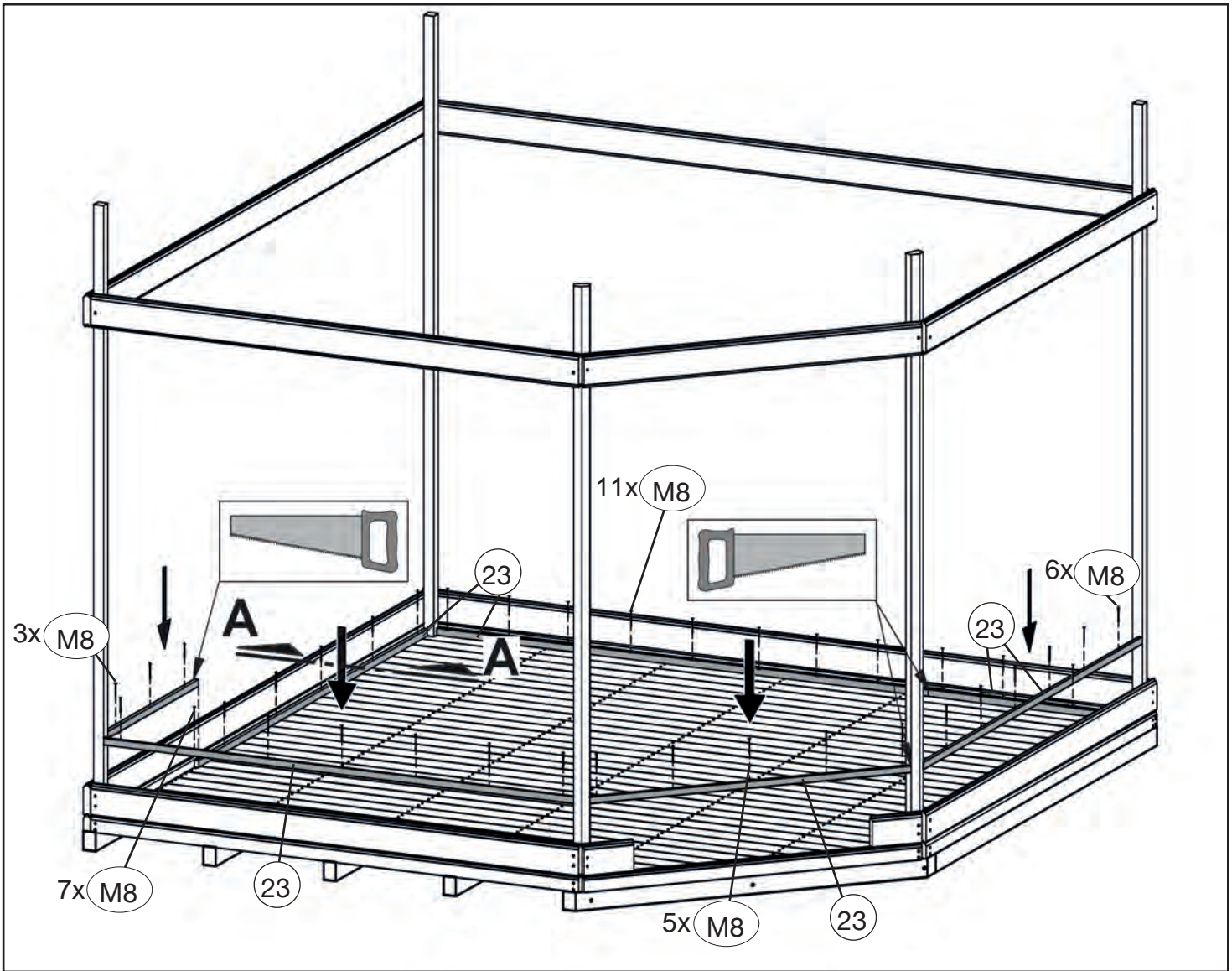
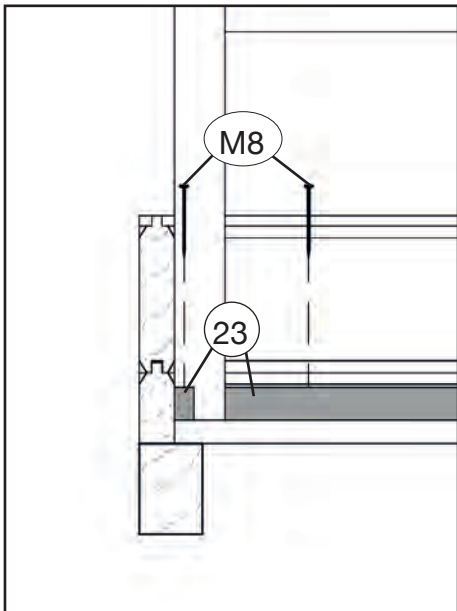



Abbildung Art.-Nr.: 213.3030.4X010

A-A



| | |
|---|-------------|
|  | M3 4,0 x 60 |
|---|-------------|

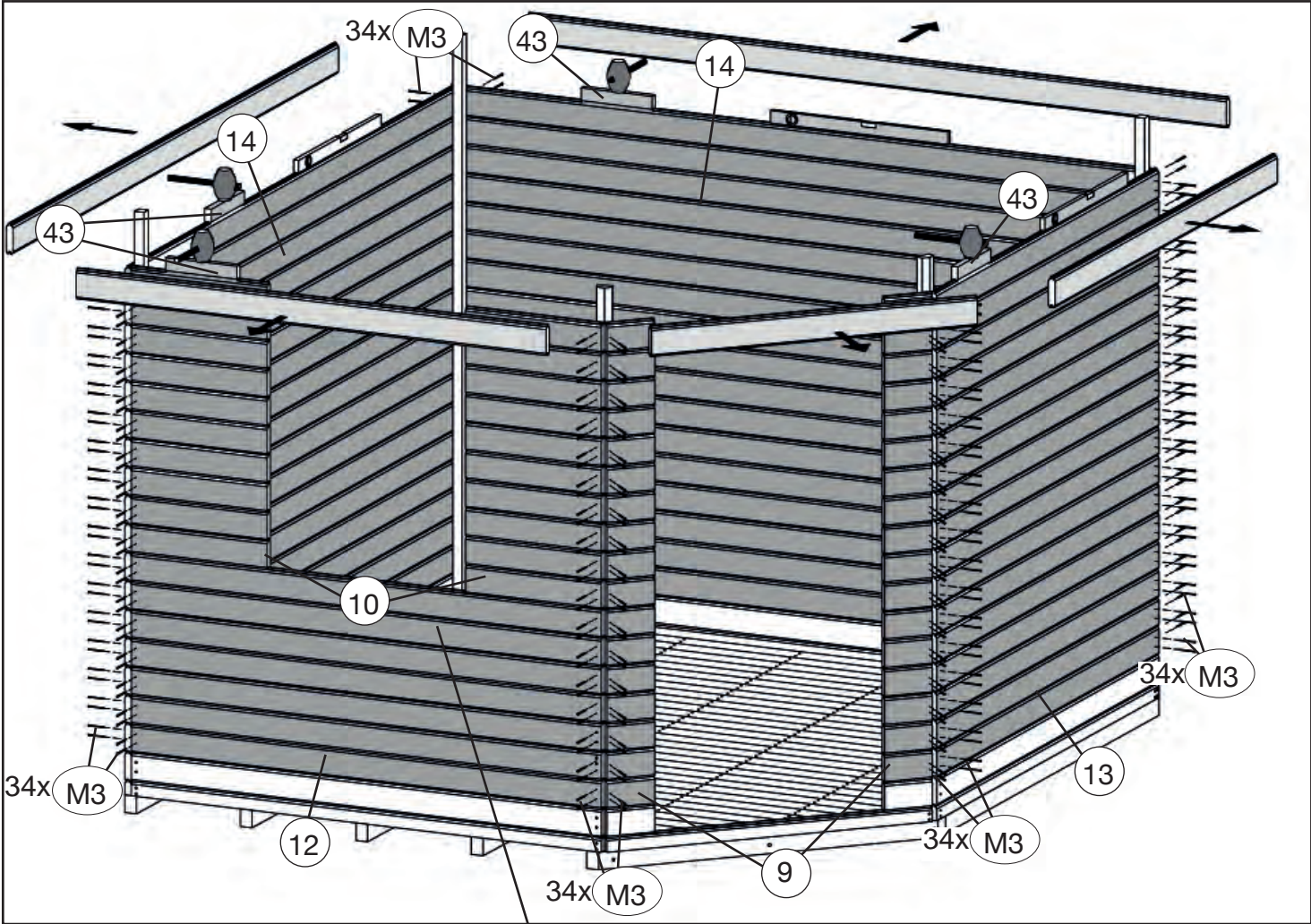
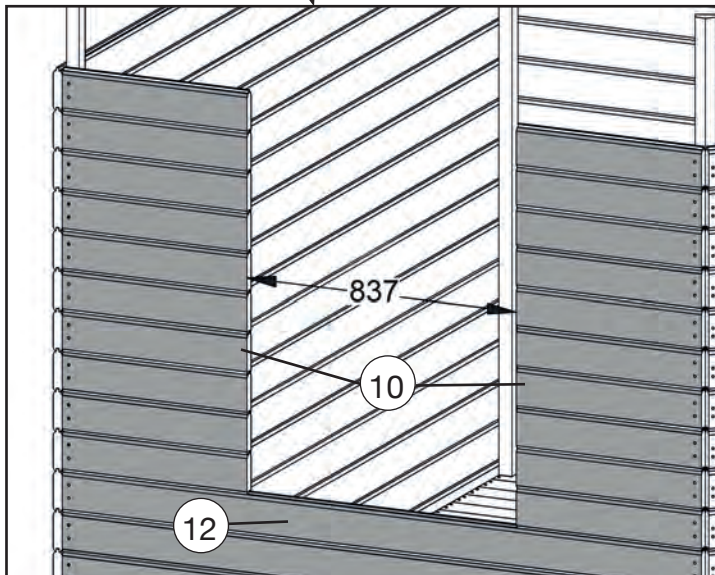
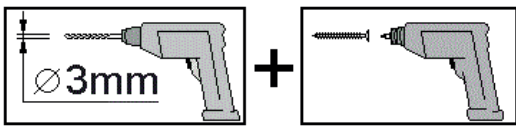



Abbildung Art.-Nr.: 213.3030.4X010



| | |
|--|-------------|
|  | M3 4,0 x 60 |
|--|-------------|

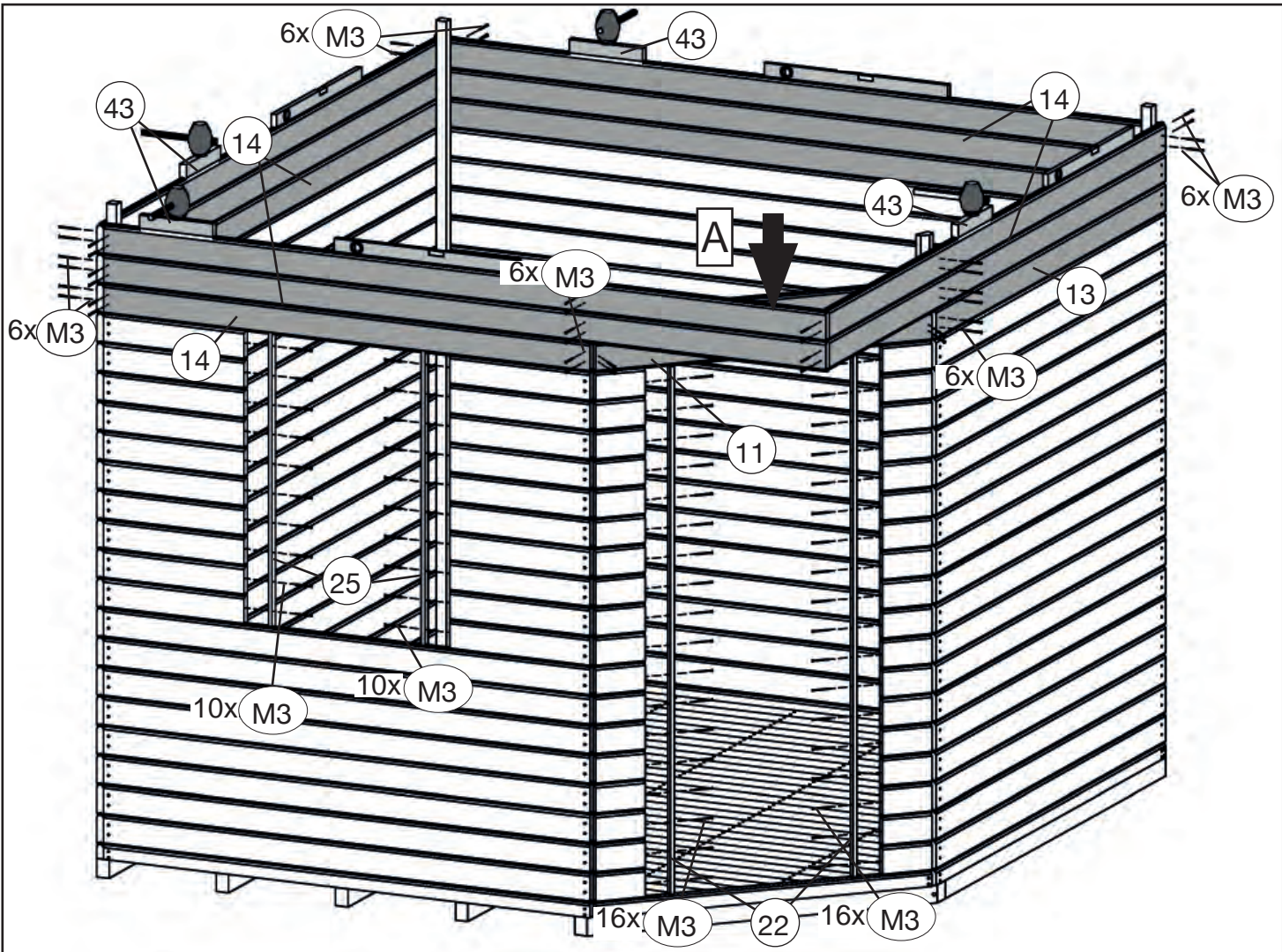
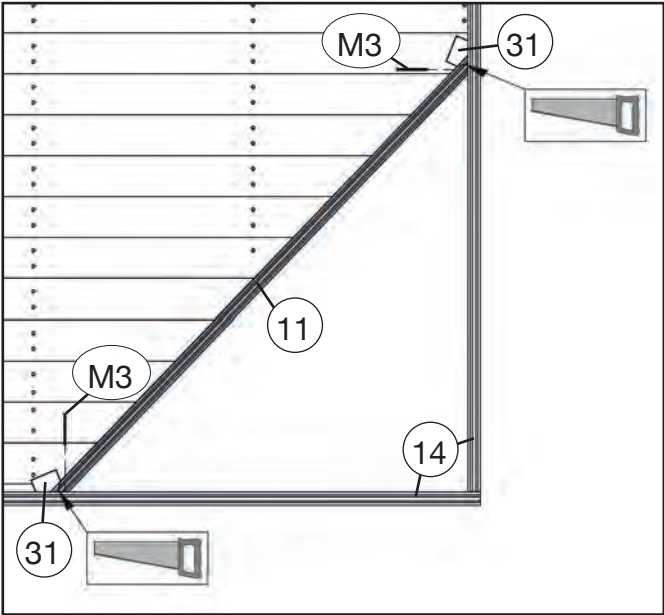
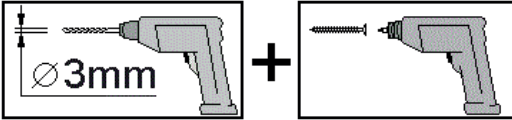
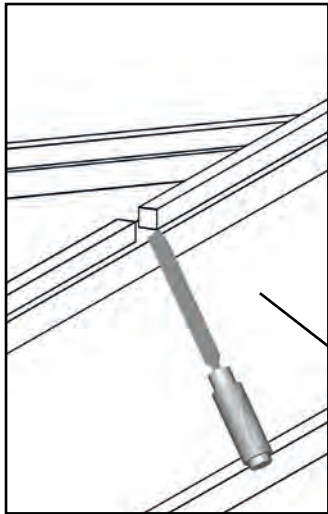
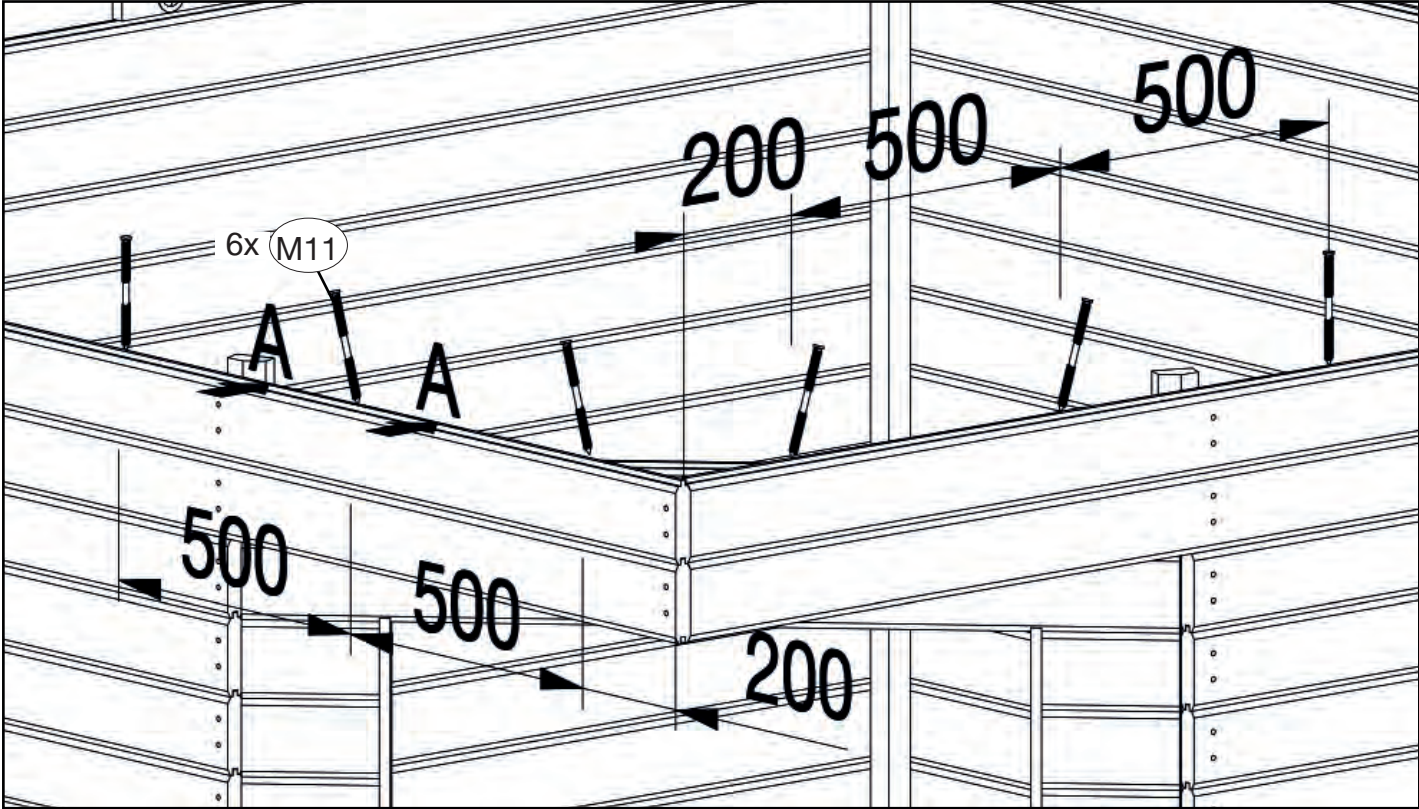
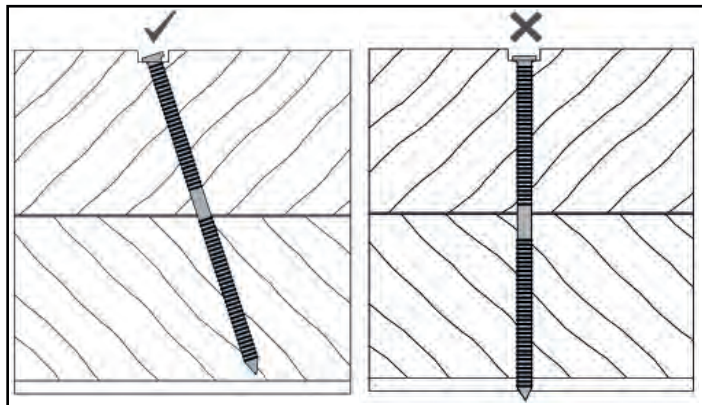
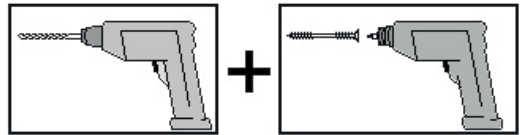
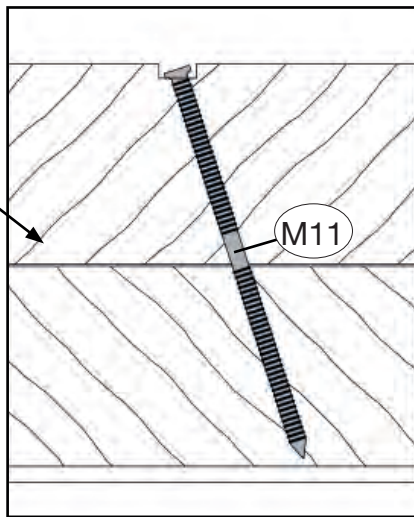


Abbildung Art.-Nr.: 213.3030.4X010





A-A



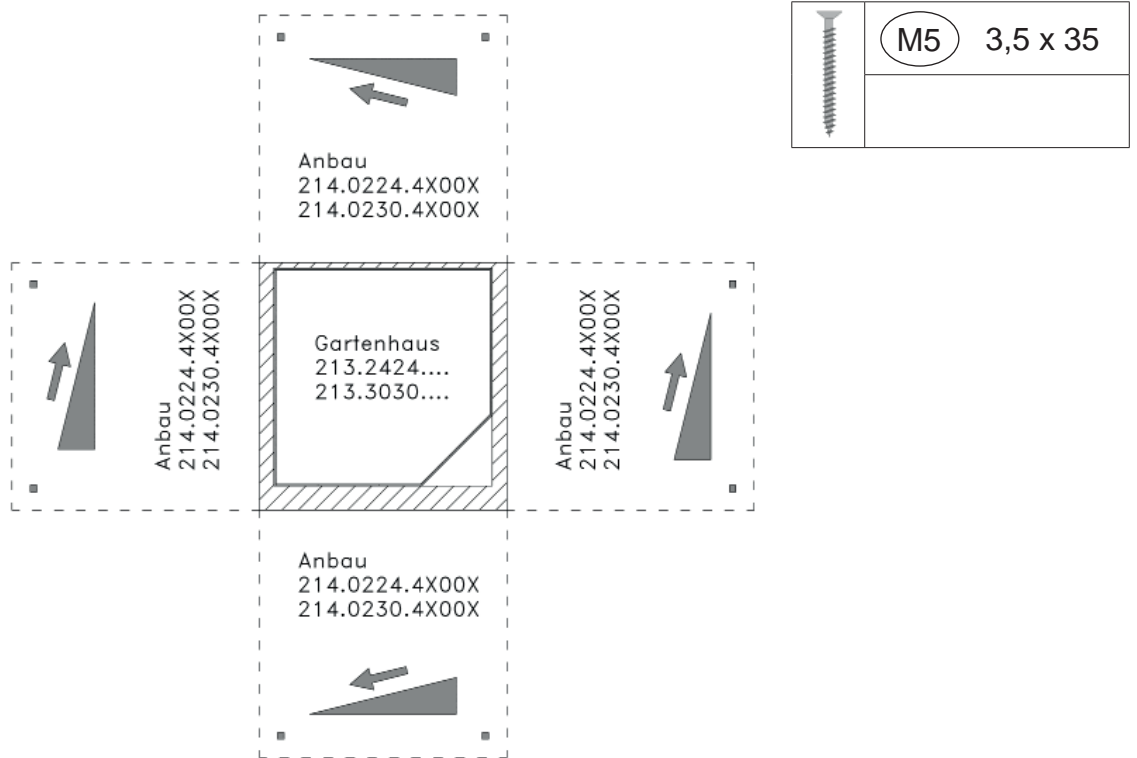
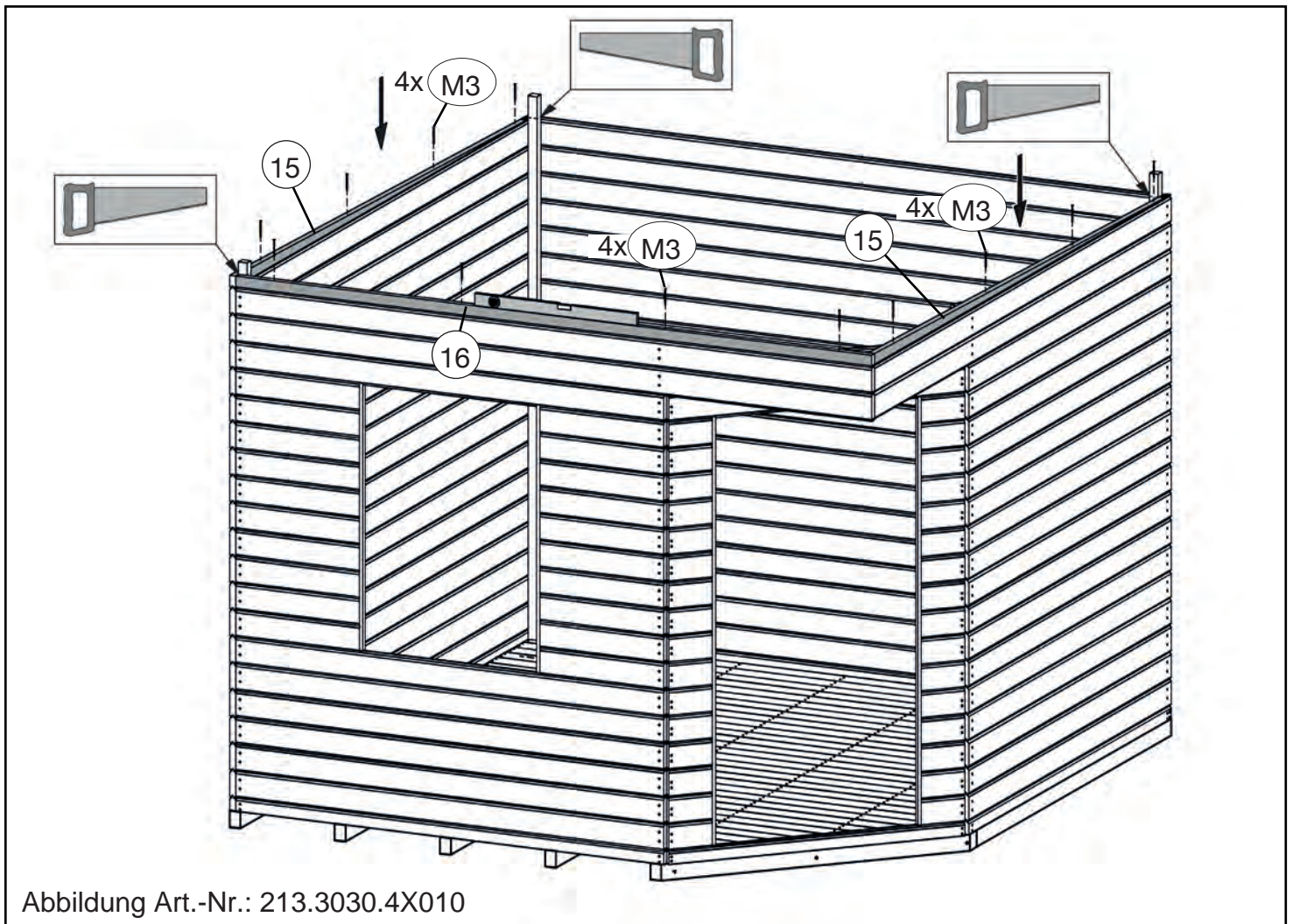
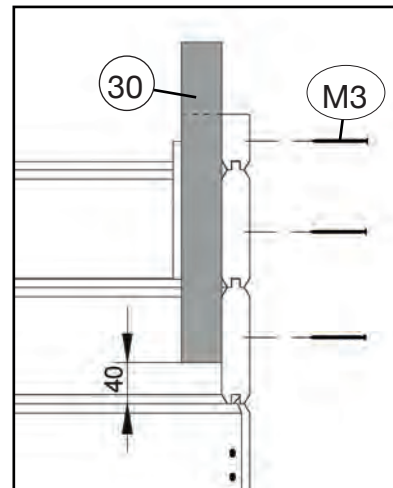
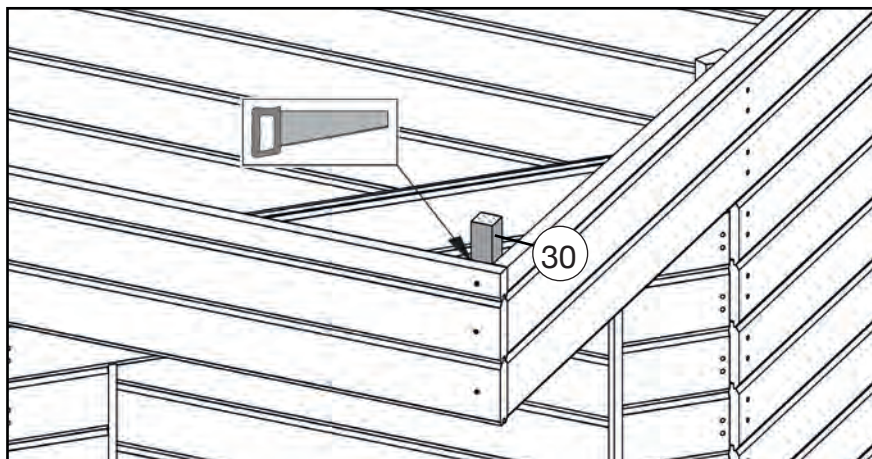
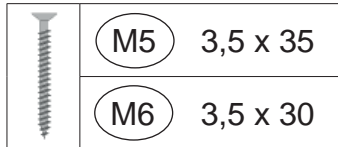
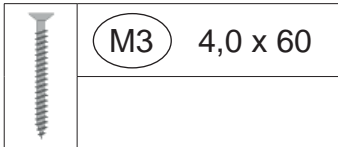
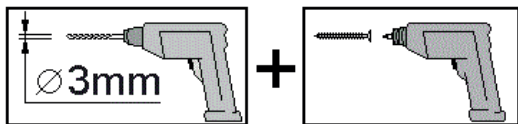


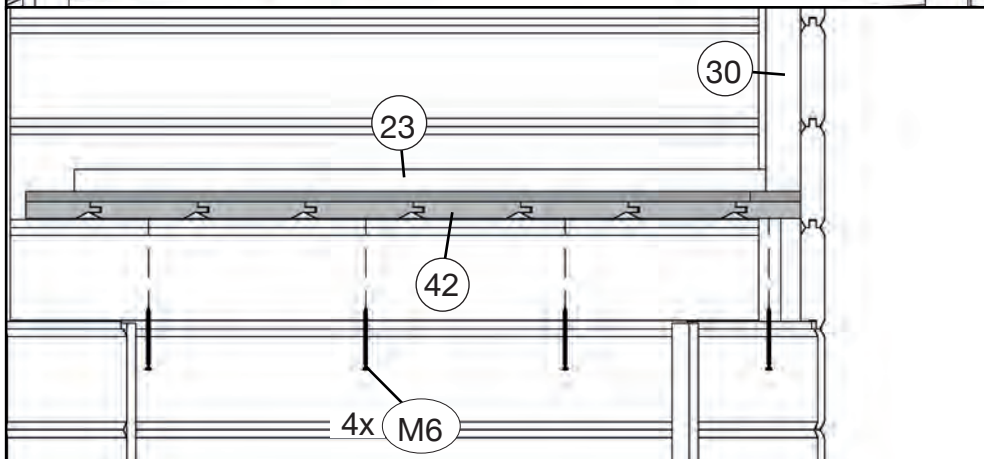
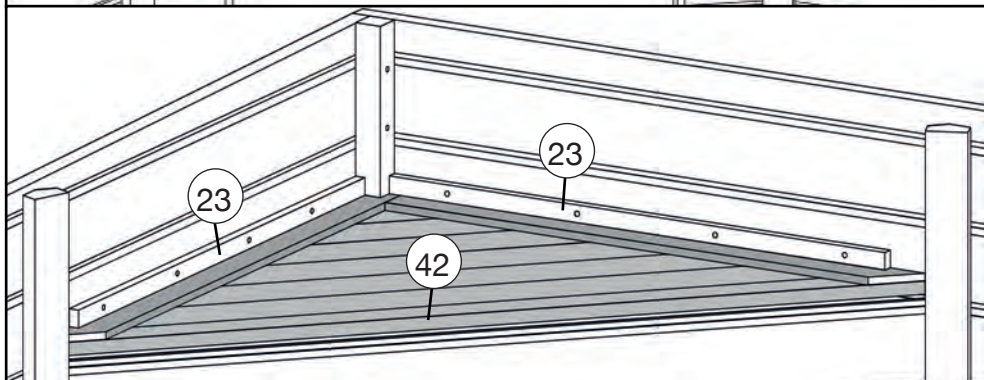
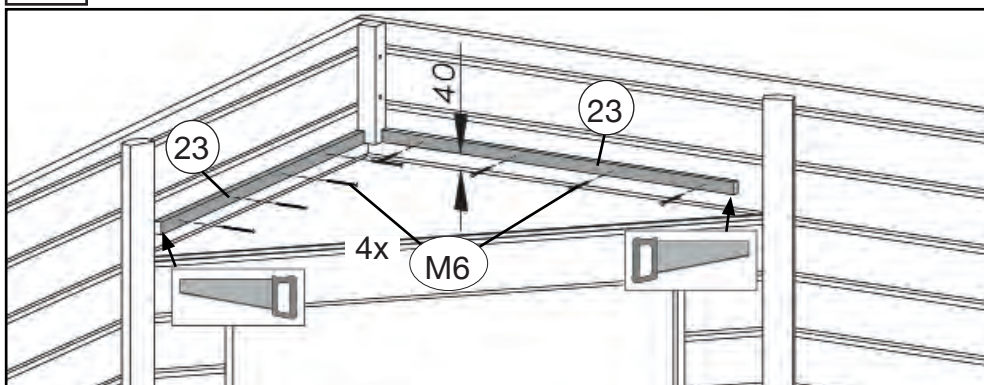
Abb.: Ausrichtung des Gefälles, Richtung des Gefälles durch die Anordnung der oberen Abschlussbohlen variabel!
Bei der zusätzlichen Montage eines Anbaus Richtung des Gefälles des Anbaus beachten! (siehe Grafik oben)



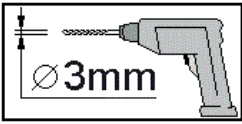
11



12



13



+

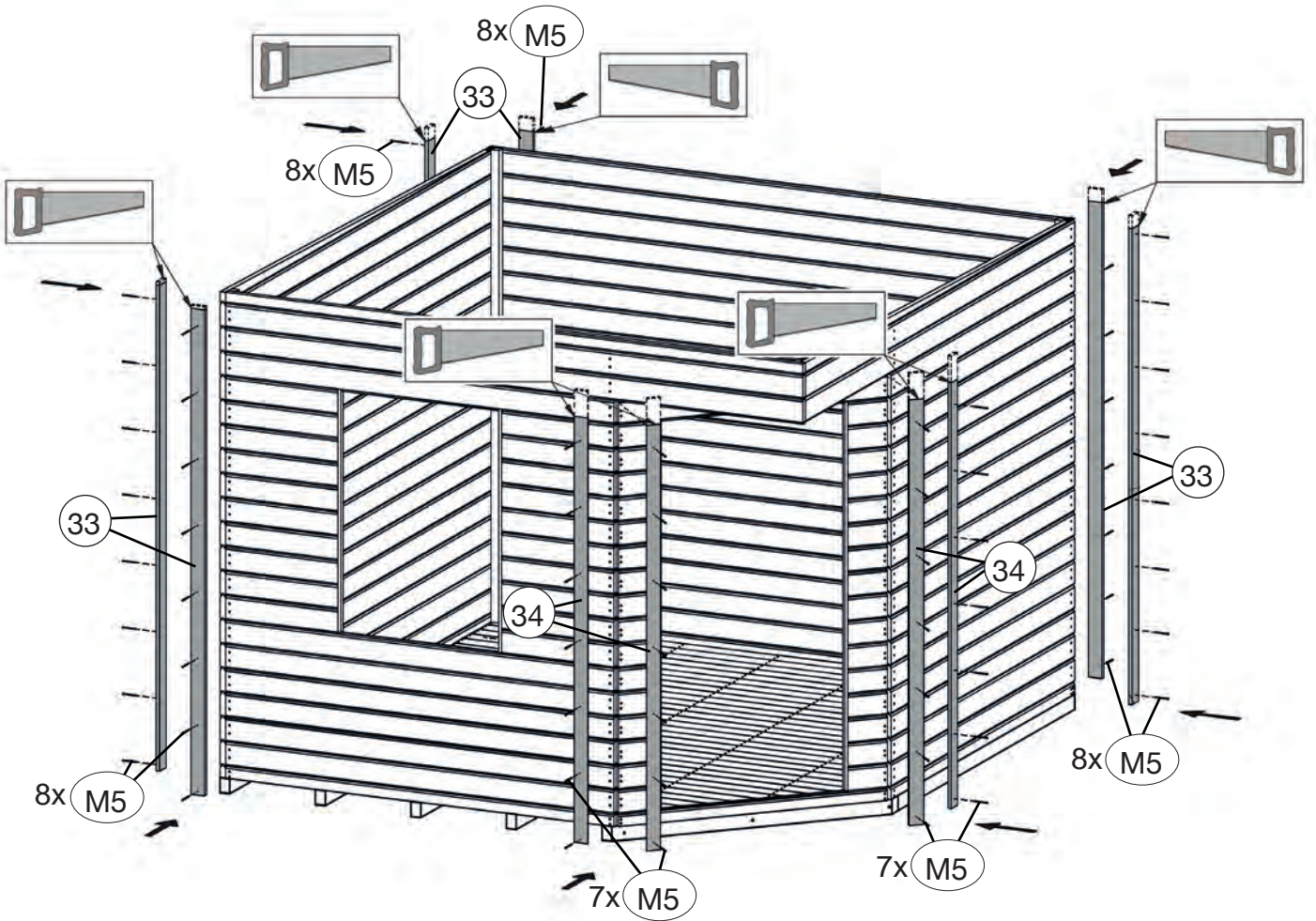
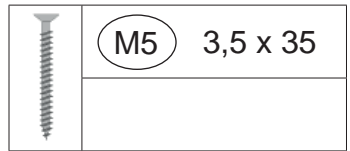
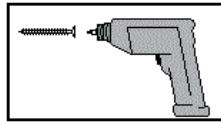
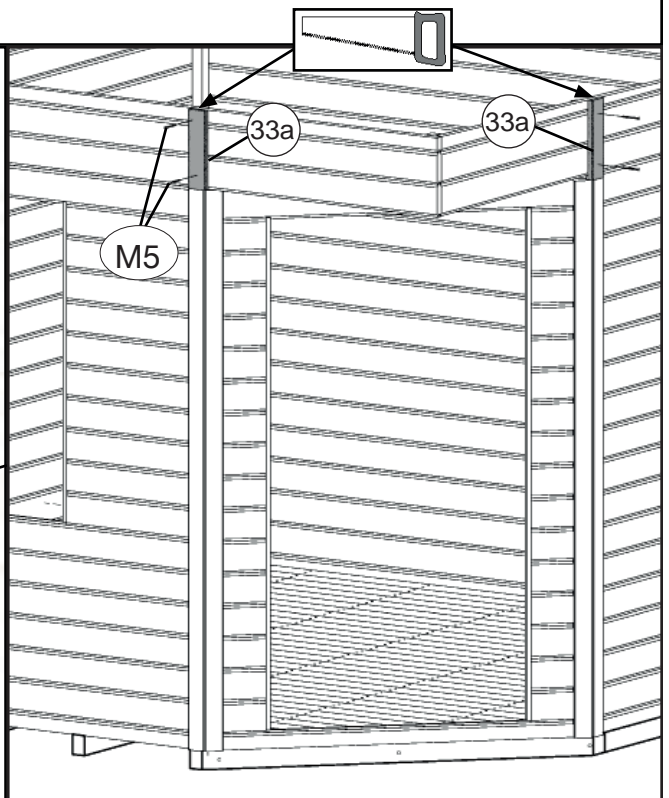
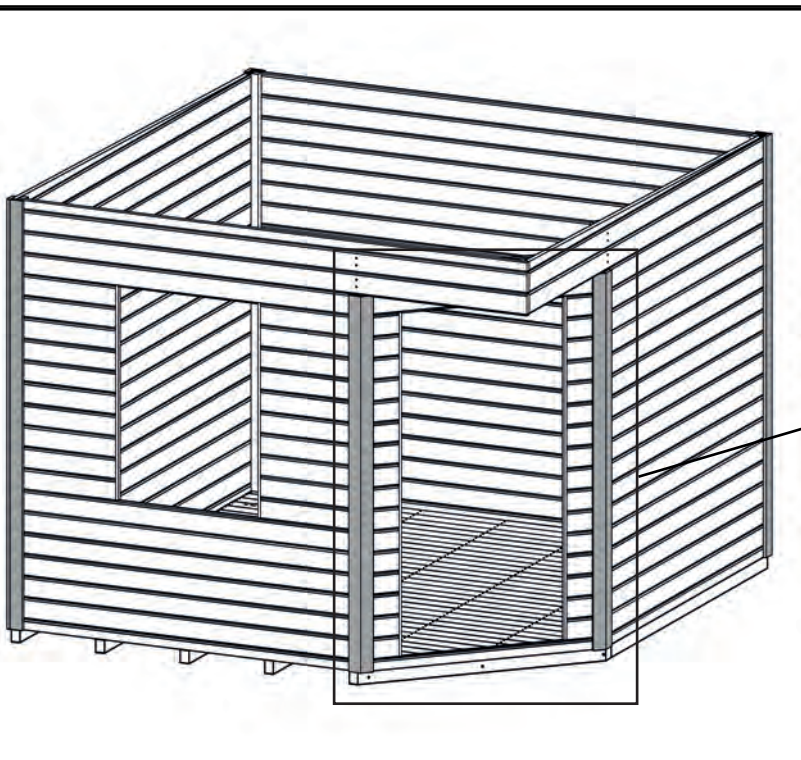


Abbildung Art.-Nr.: 213.3030.4X010



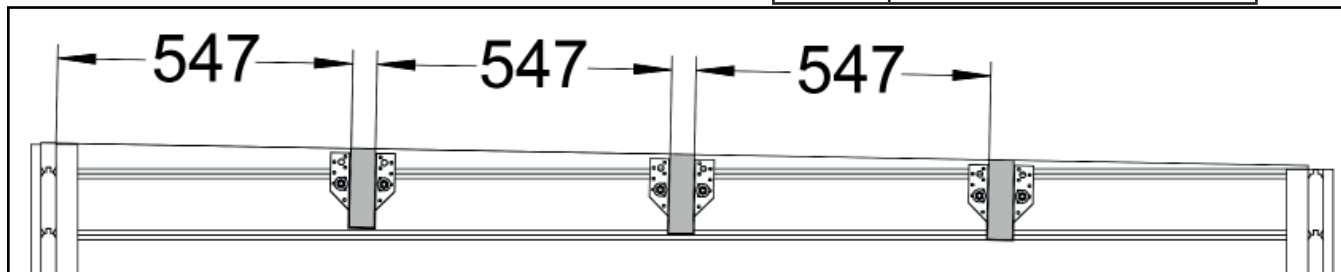
14



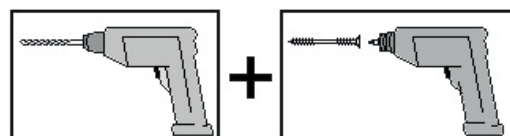
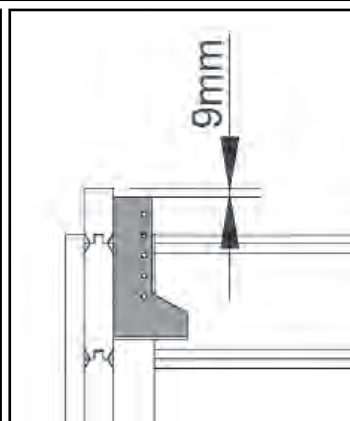
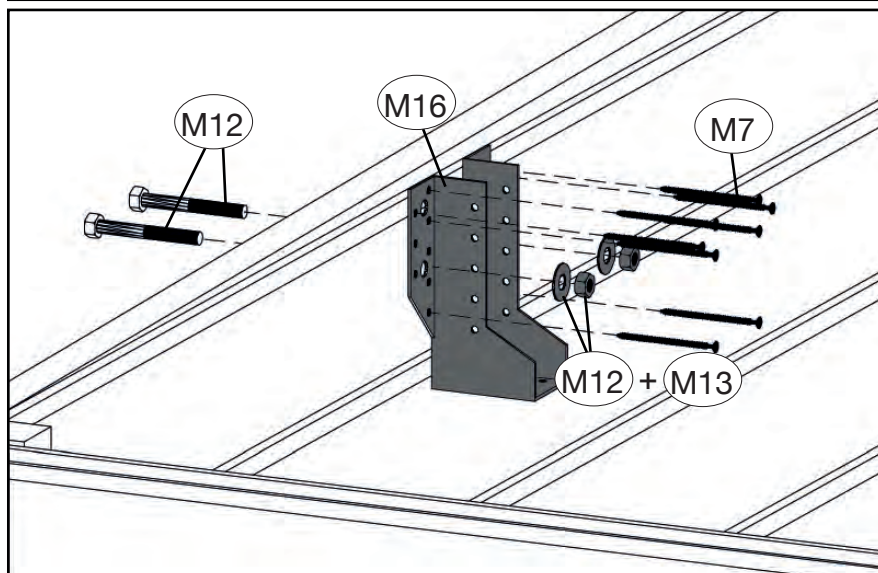
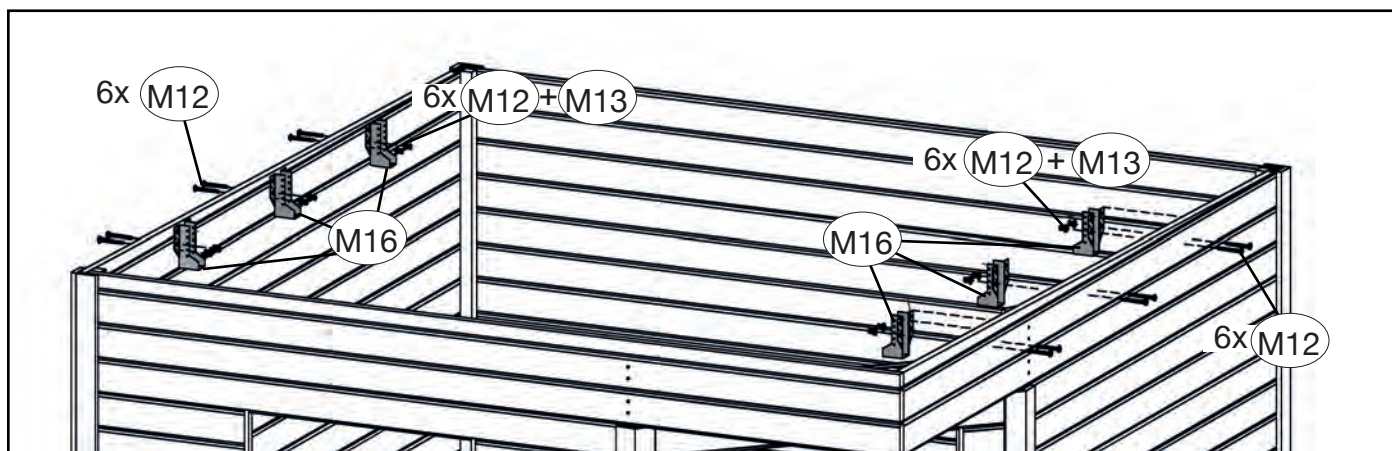
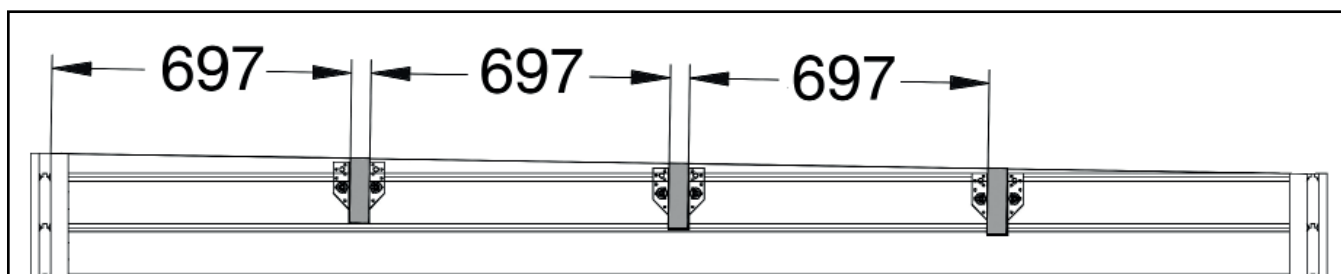
Dachaufbau

Art.-Nr.:213.2424.4X00X

| | |
|----|---------------------|
| en | Roof assembly |
| fr | montage du toit |
| it | montaggio del tetto |



Art.-Nr.:213.3030.4X00X



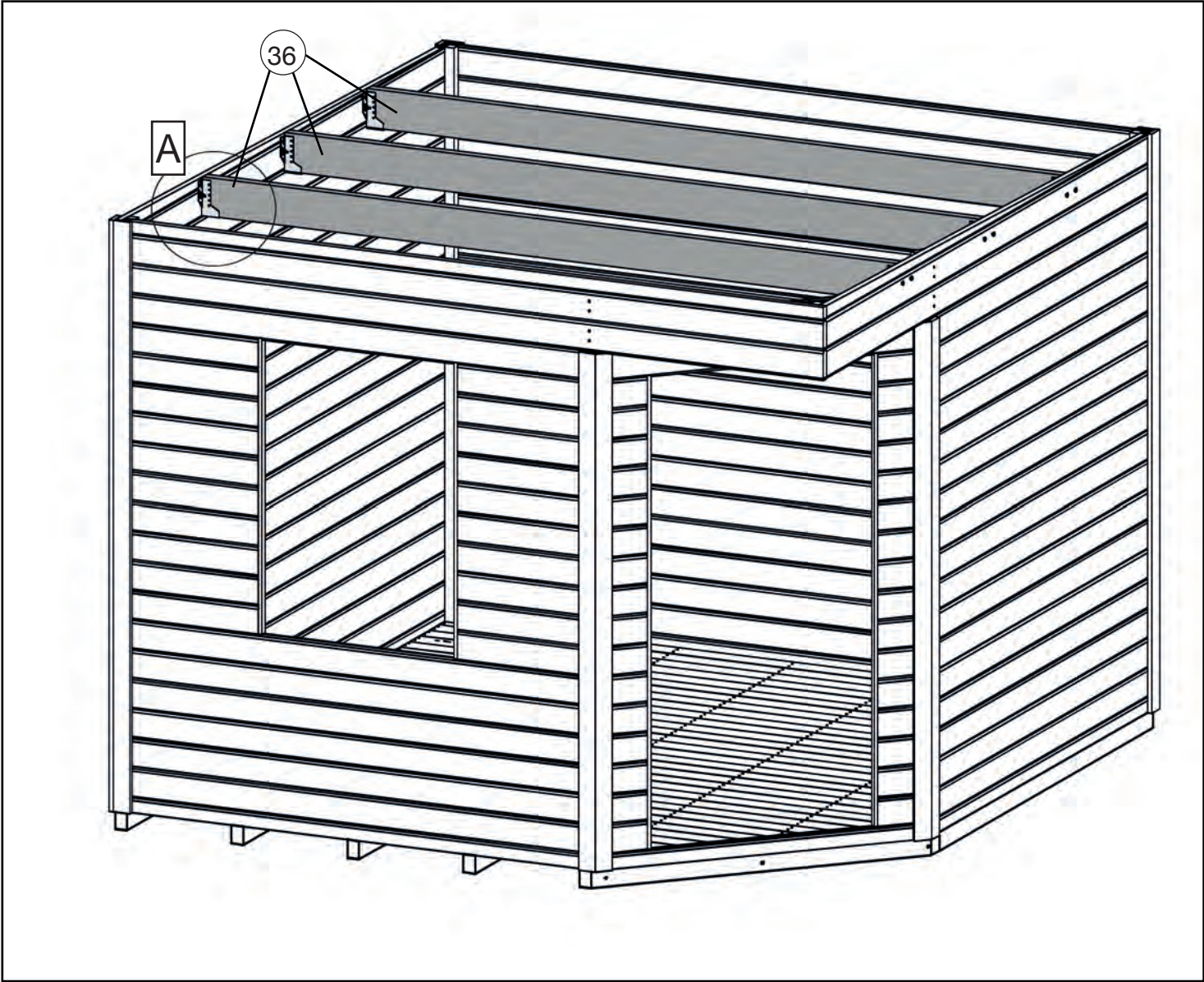
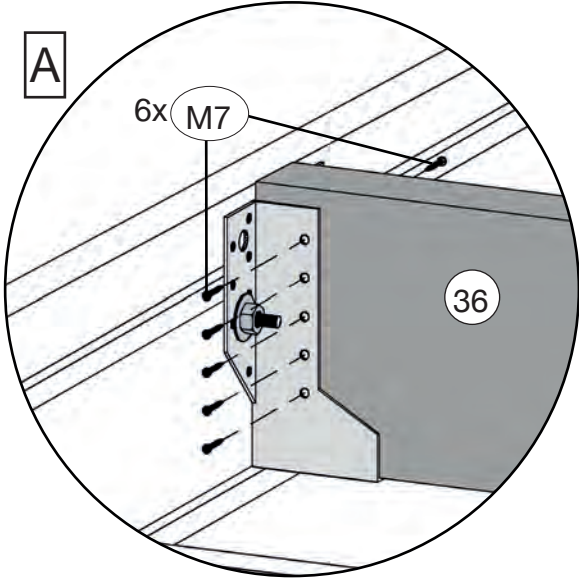


Abbildung Art.-Nr.: 213.3030.4X010



16



Bei anschließender Montage eines Anbaus, bitte auf Anbauseite Pos.35 nicht montieren!
(siehe Montageanleitung Anbau)

214.0224.4X00X
214.3030.4X00X



800.0286.18.52

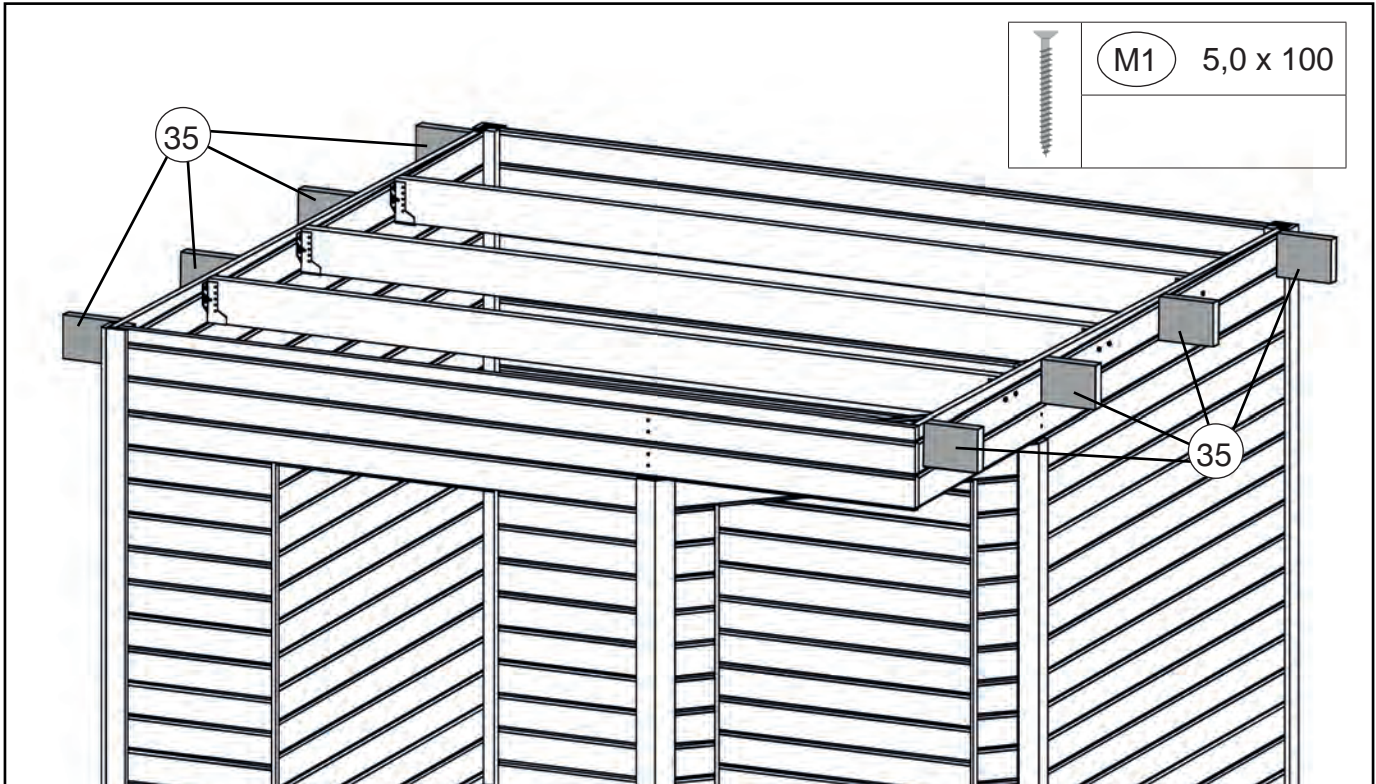
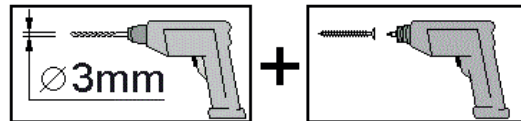
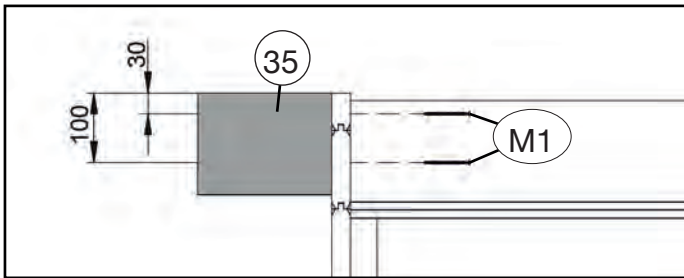
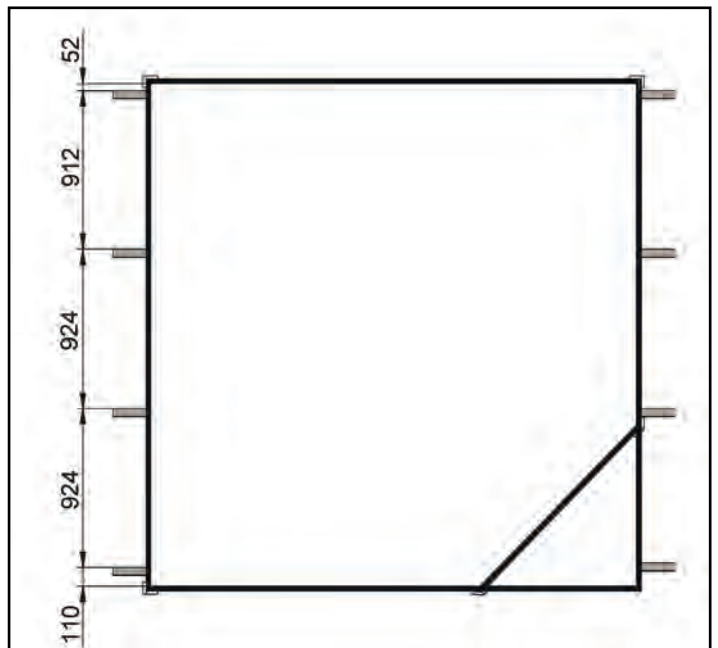
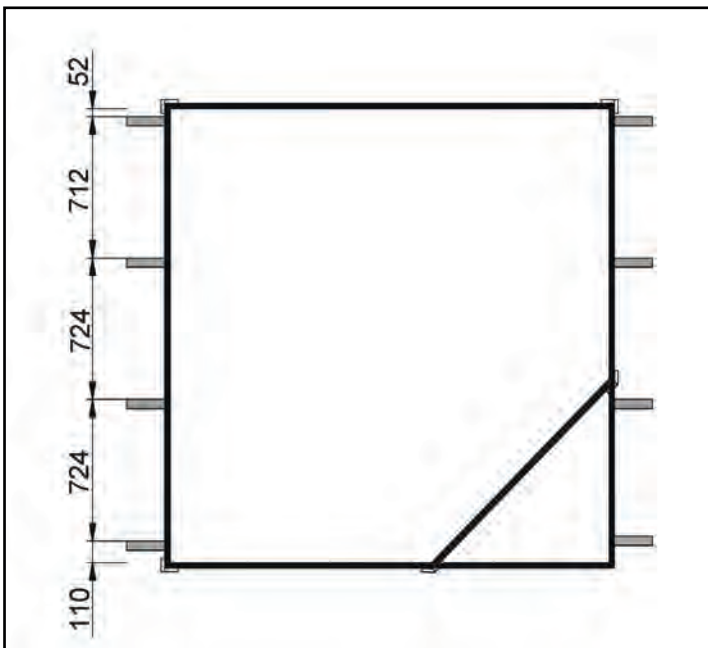


Abbildung Art.-Nr.: 213.3030.4X010



Art.-Nr.:213.2424.4X010

Art.-Nr.:213.3030.4X010

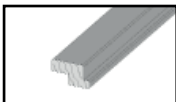
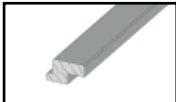
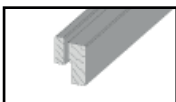



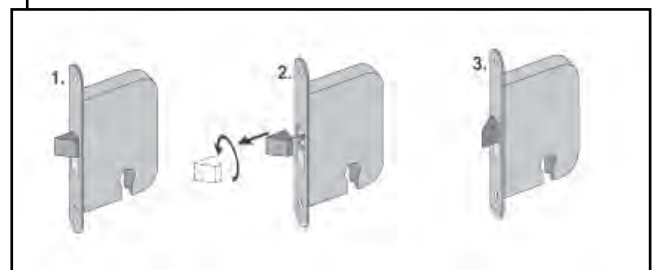
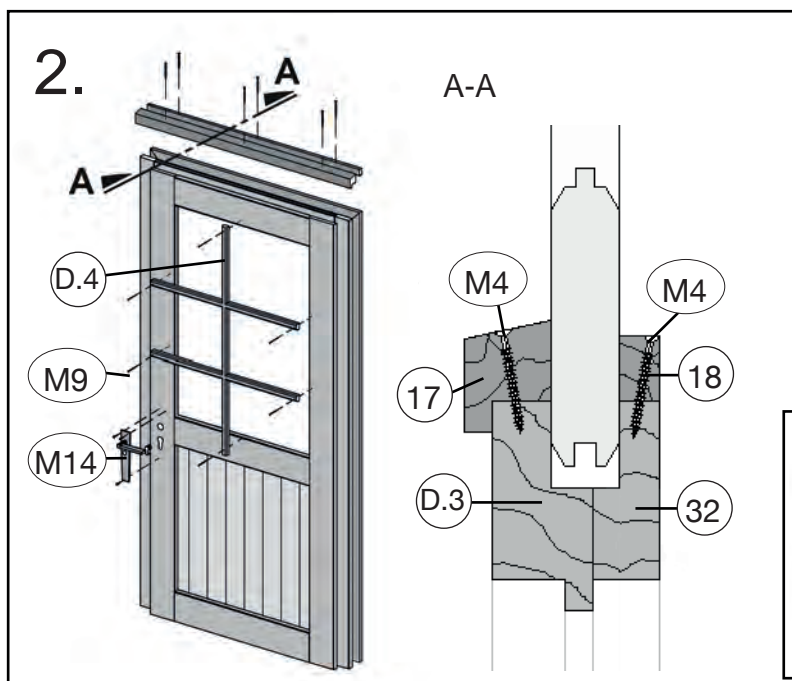
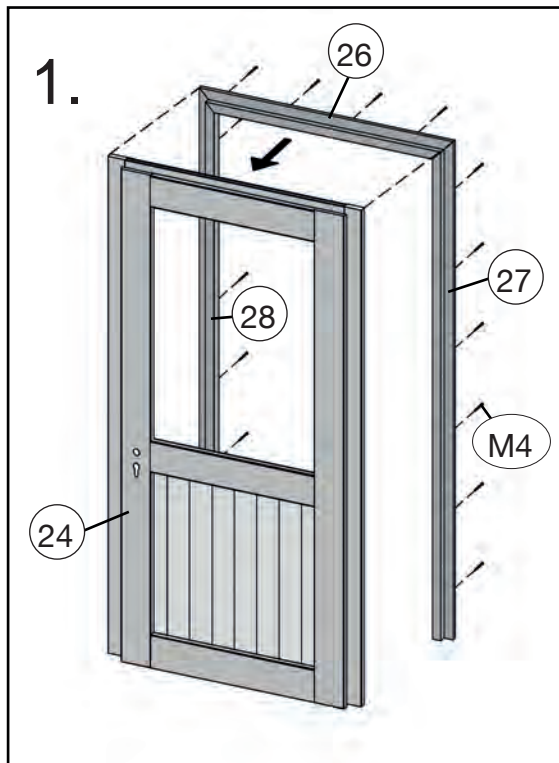
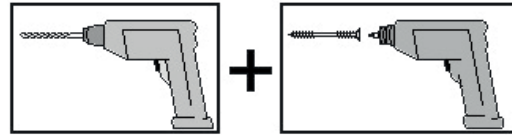
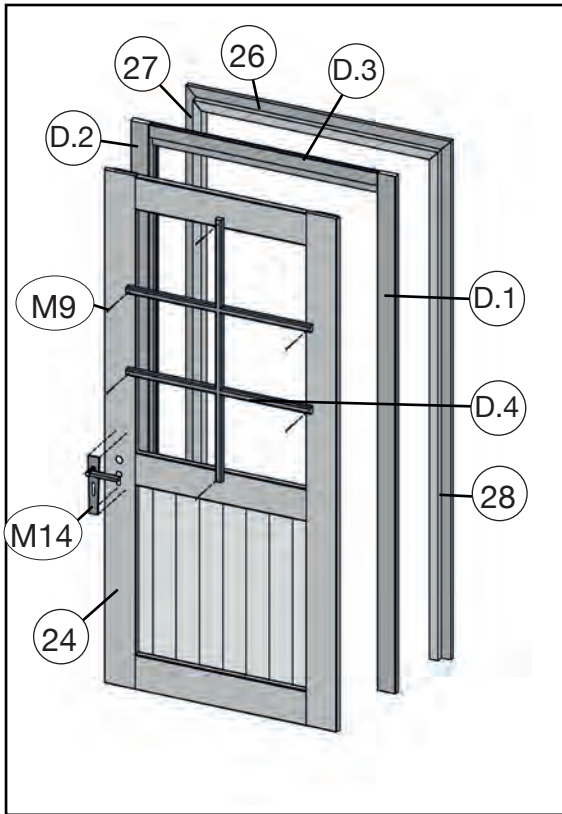
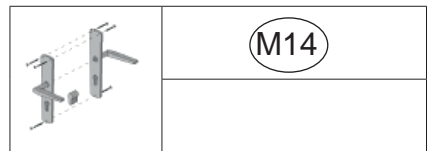
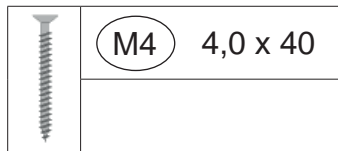
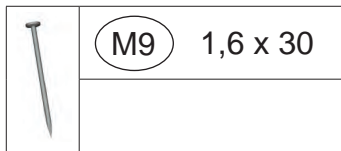
17

Blockhaustür, 1-flügelig

| | |
|----|--|
| en | Blockboard cabin door, 1 panes |
| fr | porte maison en madriers, 1 vantaux |
| it | porta per casetta in listoni, a 1 ante |




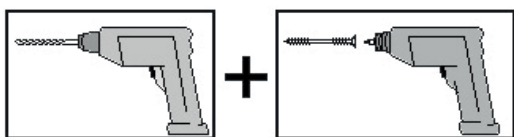
| Pos. | Abbildung | Abmessung |
|------|---|------------|
| D.1 |  | 46/80 |
| D.2 |  | 46/80 |
| D.3 |  | 46/80 |
| D.4 |  | 19/672/918 |



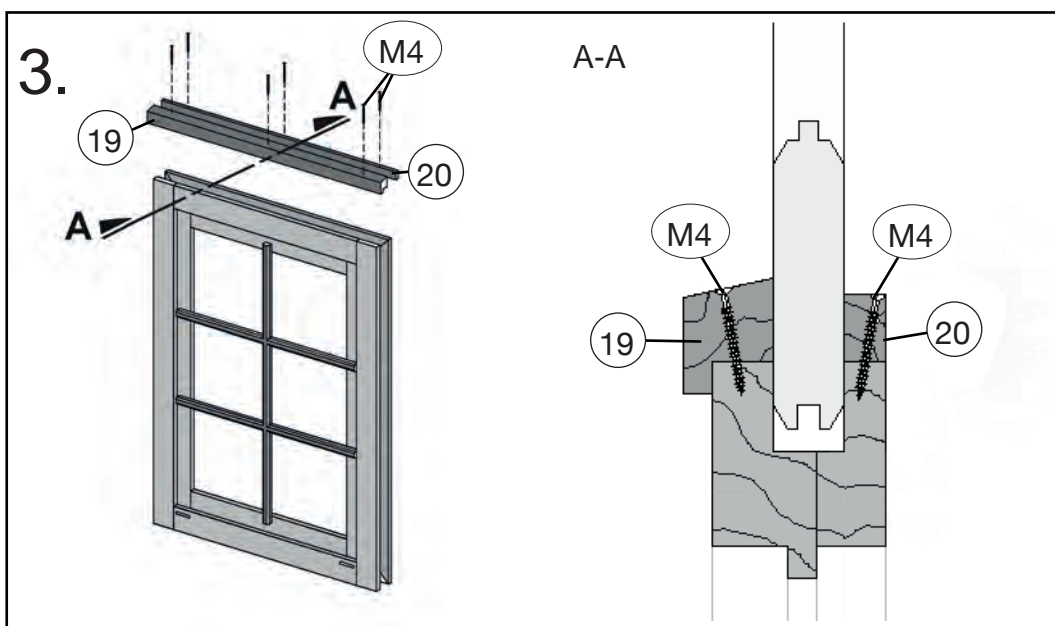
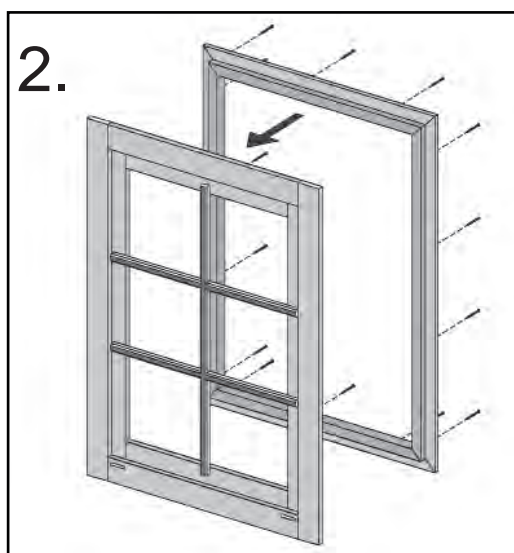
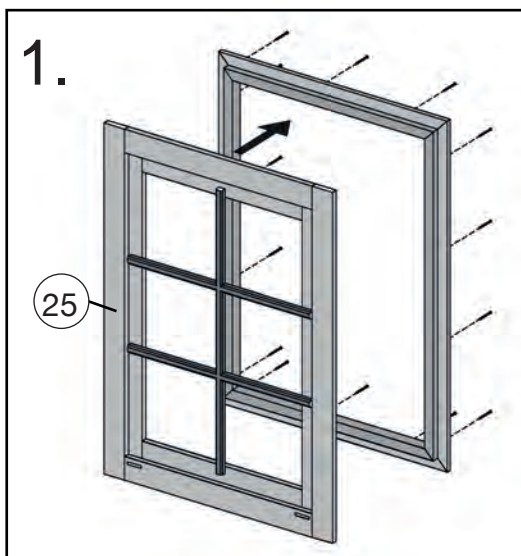
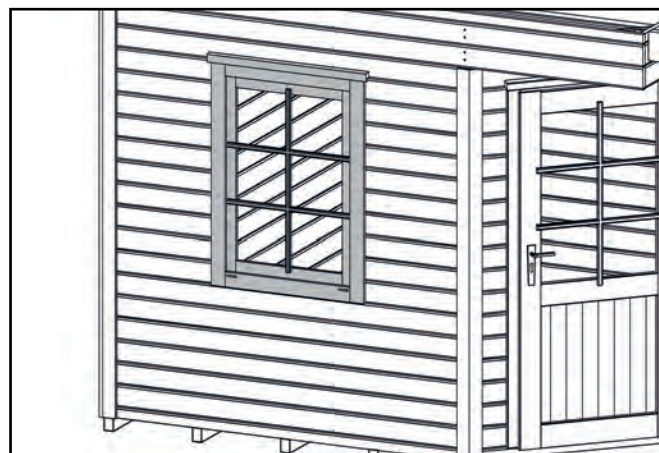
18

Blockhausfenster

| | |
|--|-------------|
|  | M4 4,0 x 40 |
| | |



| | |
|----|---------------------------------|
| en | Blockboard cabin window |
| fr | fenêtre maison en madriers |
| it | finestra per casetta in listoni |



19

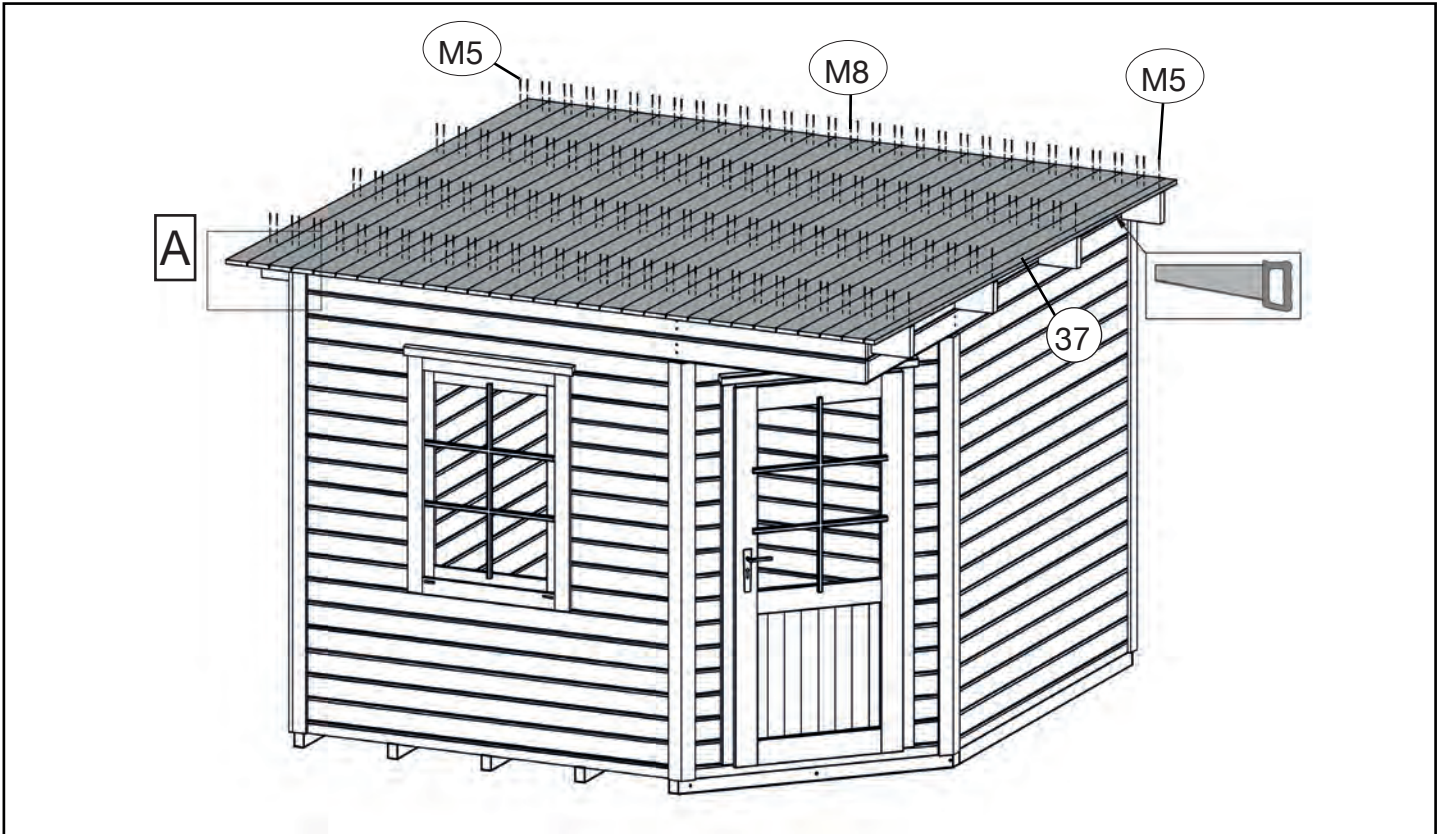
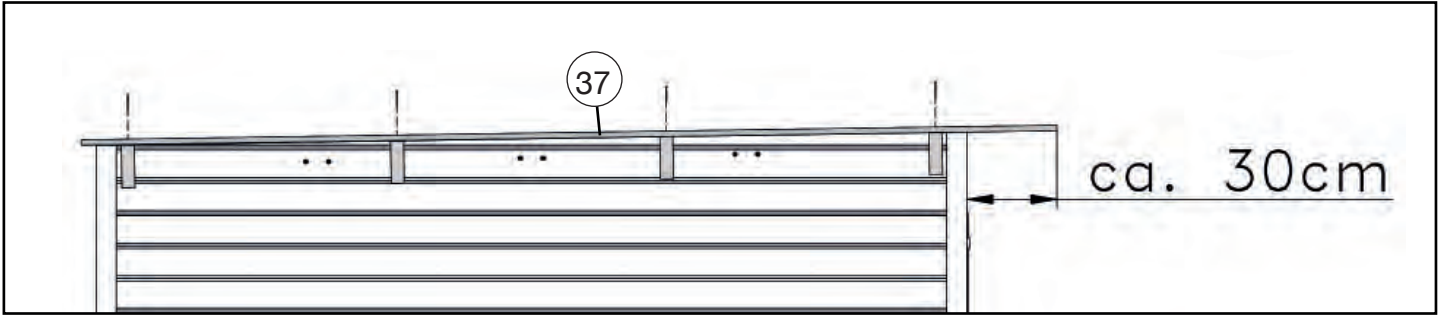
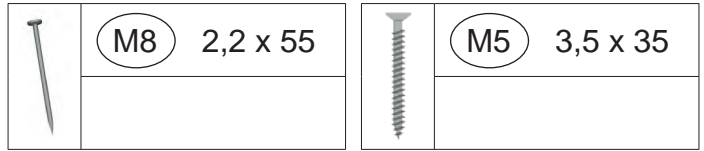
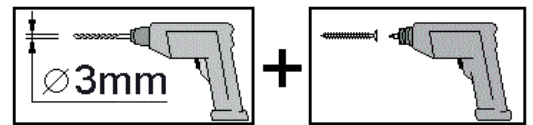
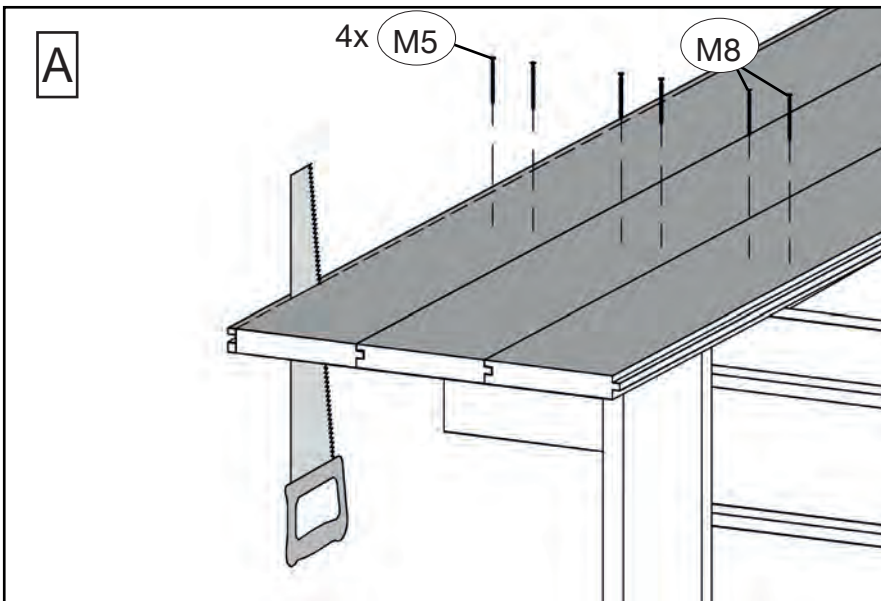



Abbildung Art.-Nr.: 213.3030.4X010



| | |
|--|-------------|
|  | M6 3,5 x 30 |
| | |

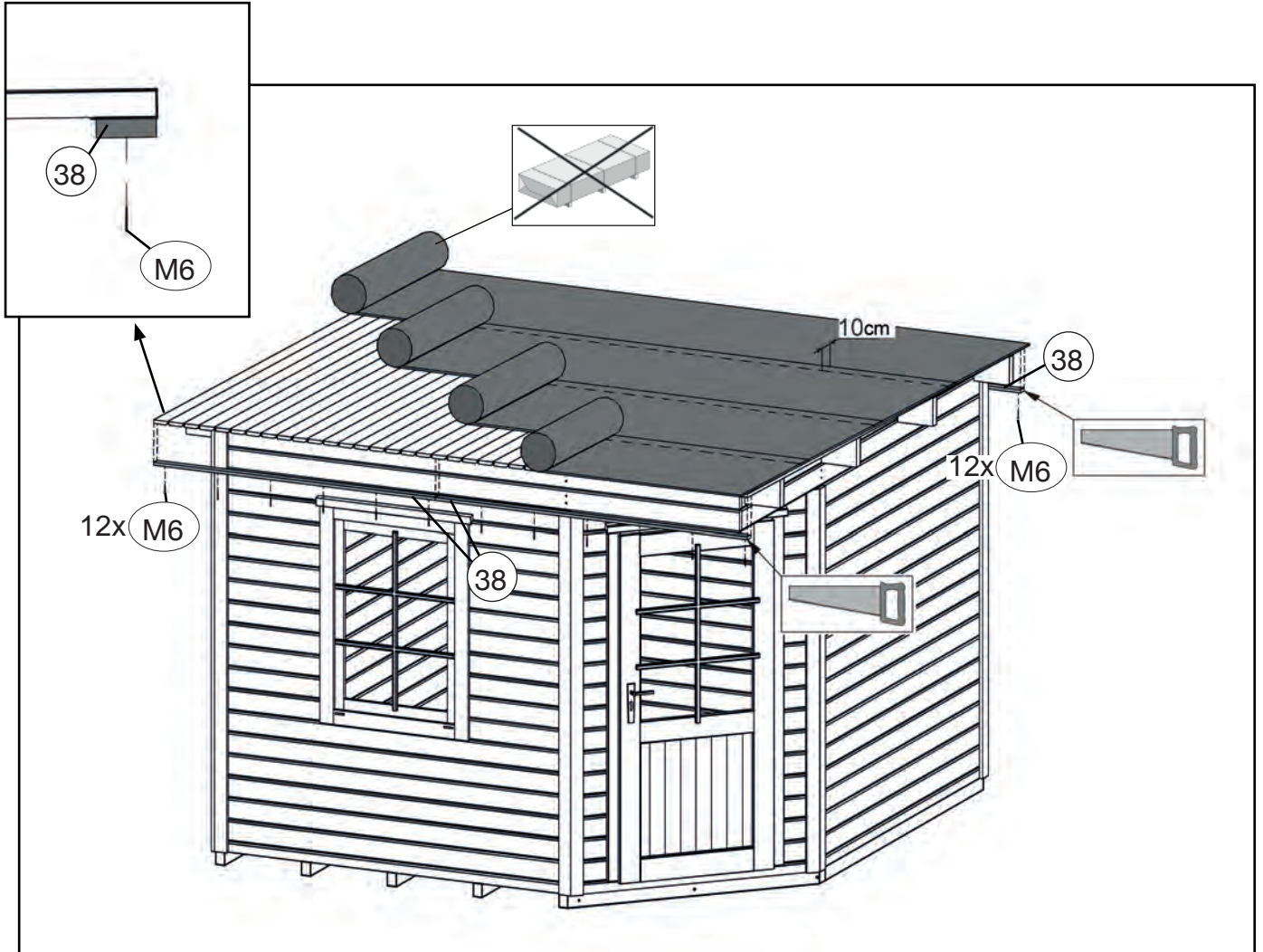
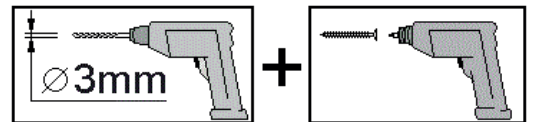



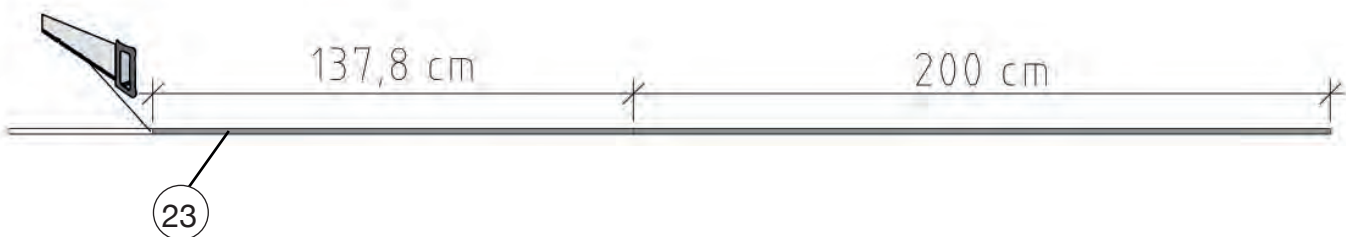
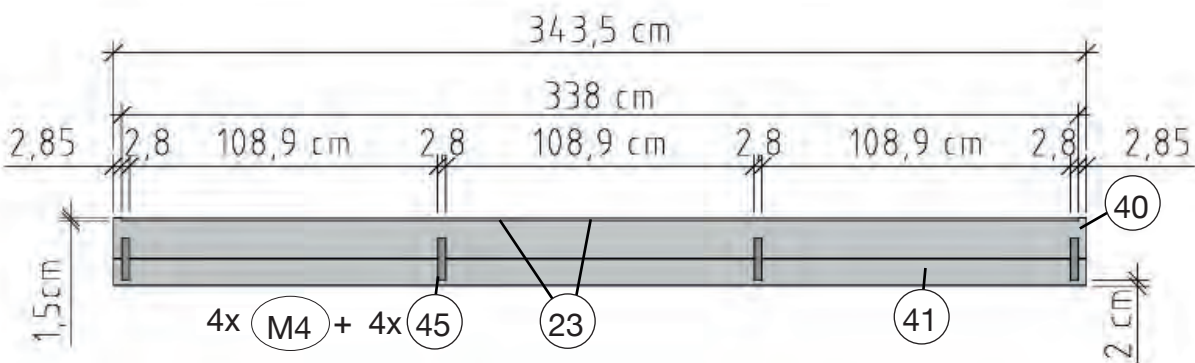
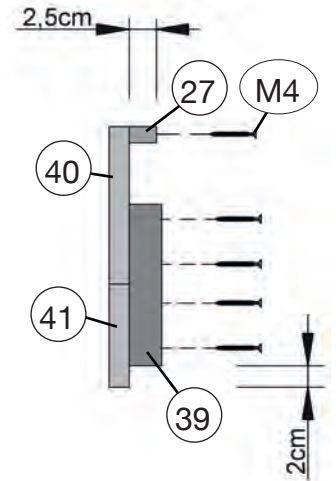
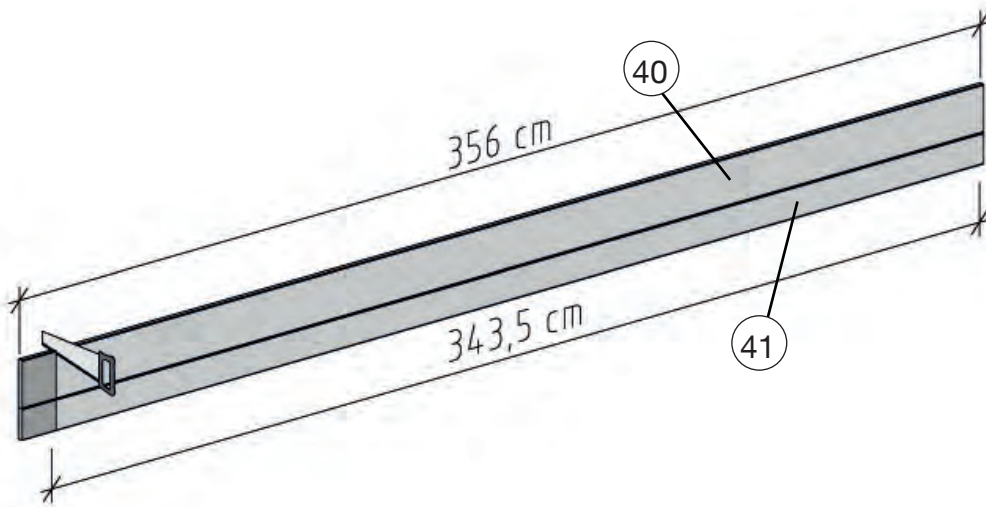
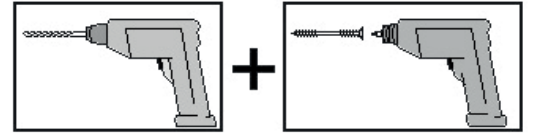
Abbildung Art.-Nr.: 213.3030.4X010




21 FB Art.-Nr.:213.3030.4X010

| | |
|--|-------------|
|  | M4 4,0 x 40 |
|--|-------------|

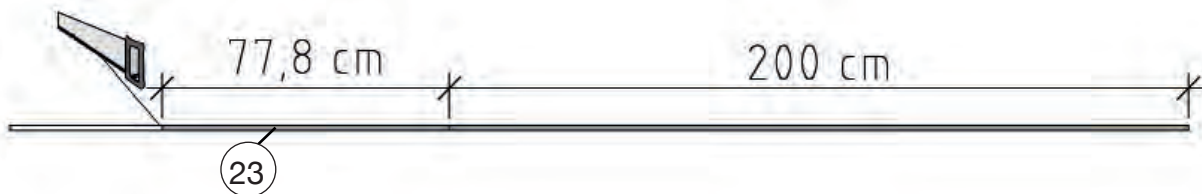
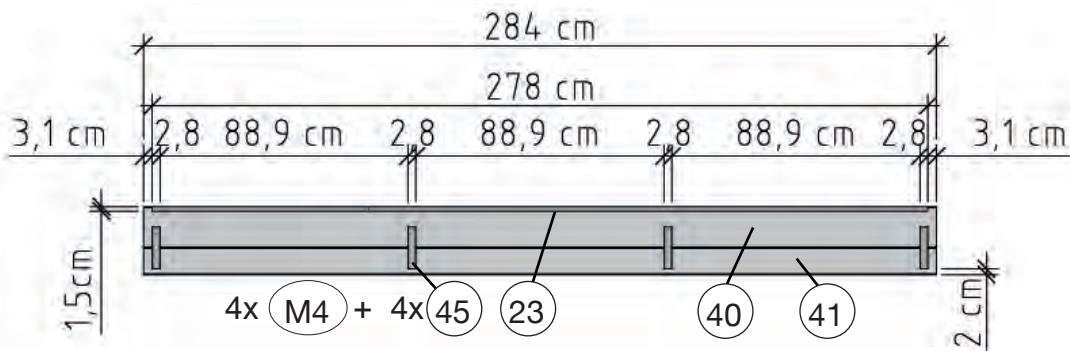
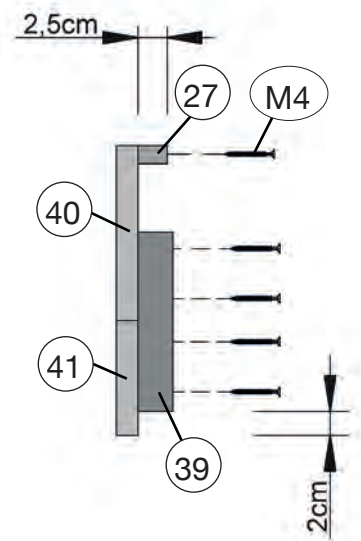
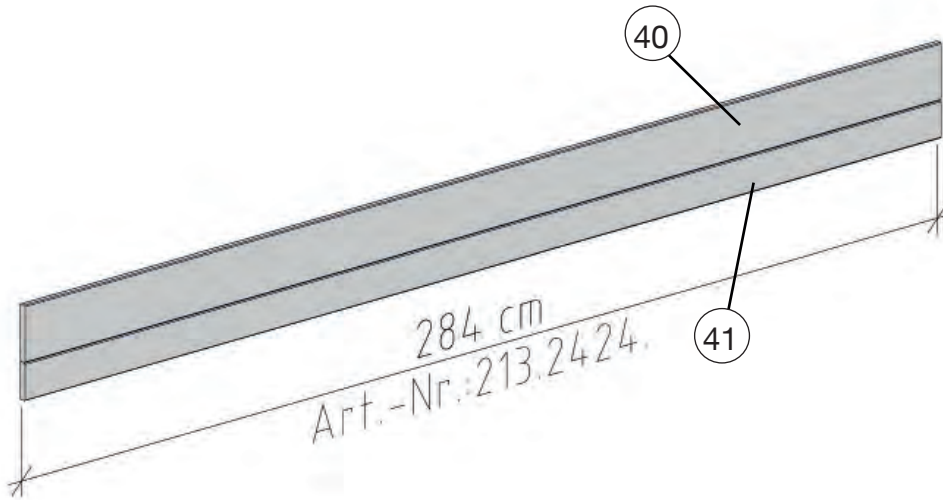
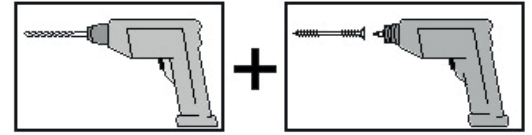
| | |
|----|---------------------------------|
| de | Vormontage Frontblende FB |
| en | Pre-assembly front panel |
| fr | Pré-montage du cache avant |
| it | Premontaggio pannello anteriore |




21 FB Art.-Nr.:213.2424.4X010

| | |
|--|-------------|
|  | M4 4,0 x 40 |
|--|-------------|

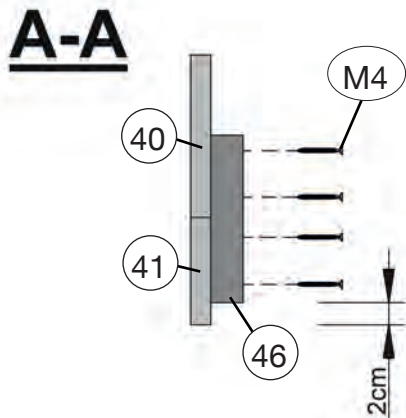
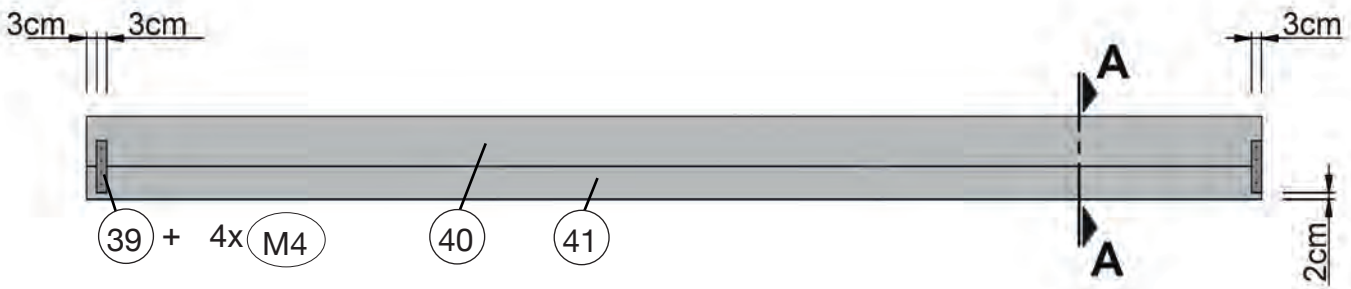
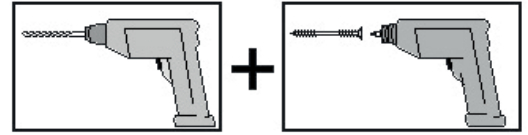
| | |
|----|---------------------------------|
| de | Vormontage Frontblende FB |
| en | Pre-assembly front panel |
| fr | Pré-montage du cache avant |
| it | Premontaggio pannello anteriore |

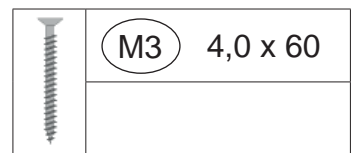


22 SB Art.-Nr.:213.XXXX.4X010

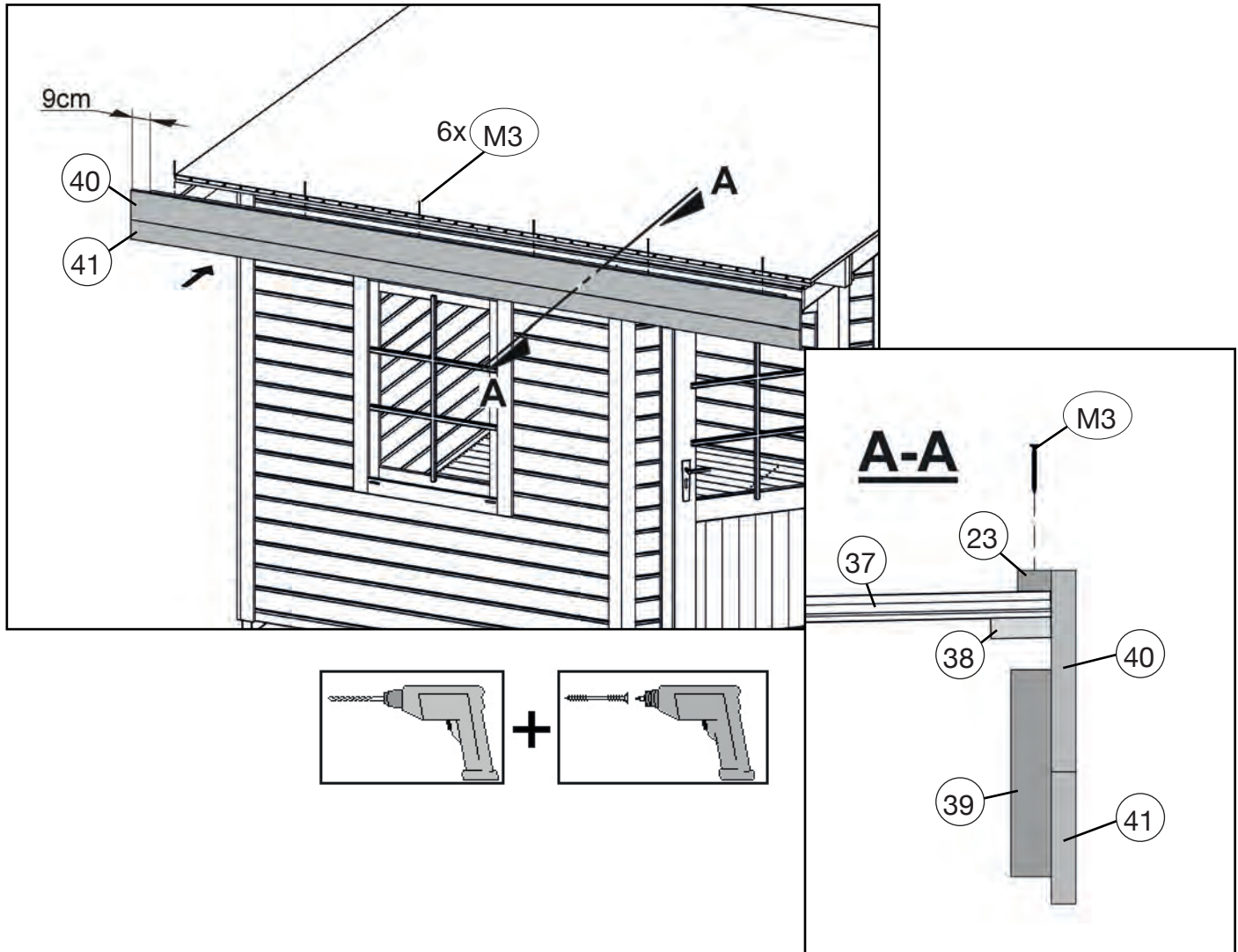
| | |
|--|-------------|
|  | M4 4,0 x 40 |
| | |

| | |
|----|--------------------------------|
| de | Vormontage Seitenblende SB |
| en | Pre-assembly side panel |
| fr | Pré-montage du cache latéral |
| it | Premontaggio pannello laterale |

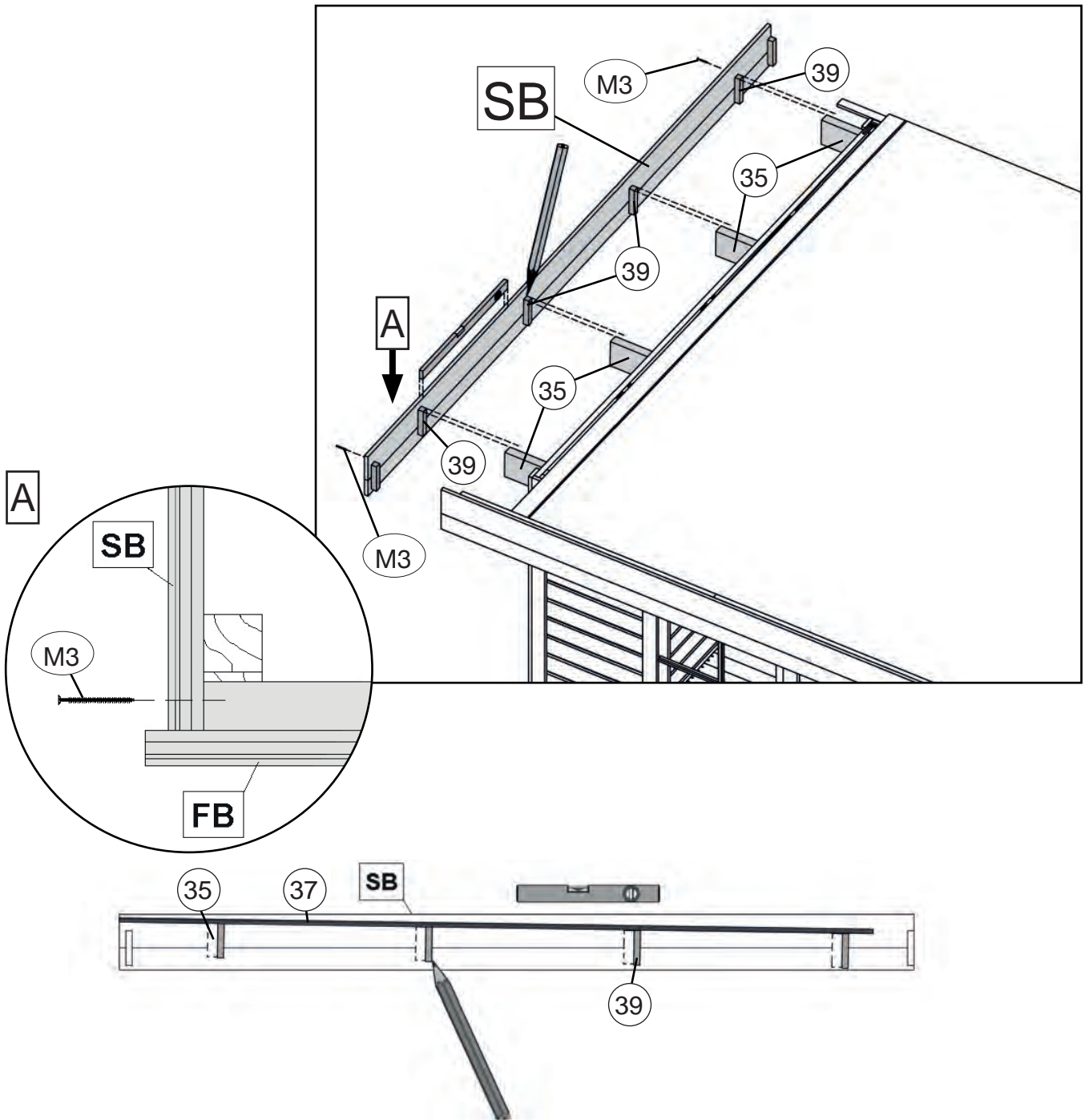
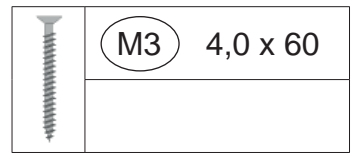




| | |
|----|--------------------------------|
| de | Befestigung der Frontblende FB |
| en | Mounting the panel |
| fr | Fixation des caches |
| it | Fissaggio del pannello |

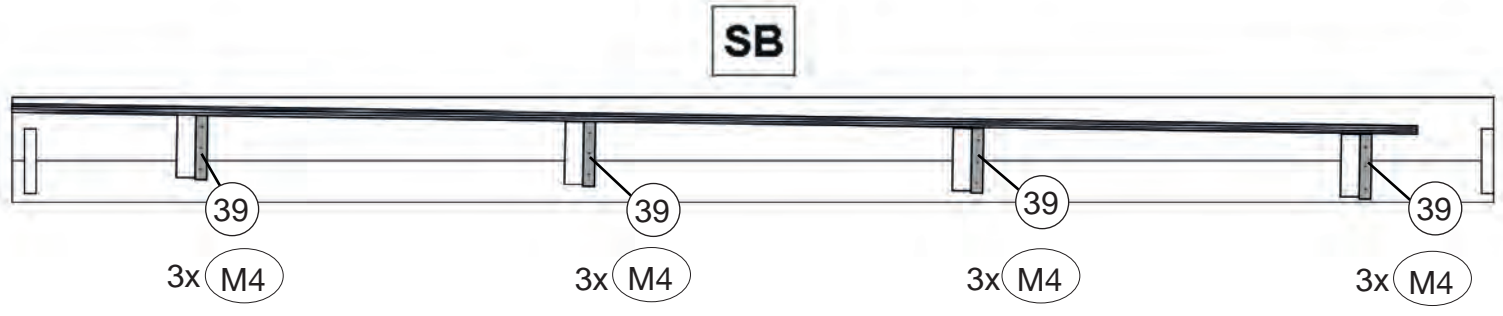
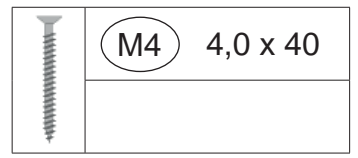


| | |
|----|--|
| de | Seitenblende SB an die Frontblende FB schrauben, in Waage bringen und mit einer weiteren Schraube an der hinteren Dachpfette befestigen. Dachpfettenumrisse und Dachschalungsunterkante auf den Seitenblenden markieren! |
| en | Screw side panel SP to the front wall, make sure it is horizontal and fix it to the rear roof purlin with another screw. Mark roof purlin outlines and roof board edges on the side panels. |
| fr | Visser le cache latéral SB sur la paroi avant, le mettre à niveau et le fixer avec une autre vis sur la panne arrière ! Marquer le contour des pannes et la bordure de la sous-toiture sur les parois latérales! |
| it | Avvitare il pannello laterale SB alla parete anteriore, allinearlo e fissarlo con un'altra vite all'arcareccio posteriore. Contrassegnare i profili esterni dell'arcareccio e il bordo del tetto in legno sui pannelli laterali. |



| | |
|----|---|
| de | Seitenblenden SB abnehmen und Verbinder Pos. 45 aufschrauben |
| en | Detach side panels SP and screw on connector no. 45. |
| fr | Retirer les parois latérales SB et visser les raccords pos. 45 |
| it | Rimuovere i pannelli laterali SB ed avvitare il giunto Pos. 45. |

25



| | |
|----|---|
| de | Seitenblenden SB endgültig befestigen! |
| en | Fix side panels SP in final position. |
| fr | Terminer la fixation des caches latéraux SB ! |
| it | Infine, fissare i pannelli laterali SB. |

26

