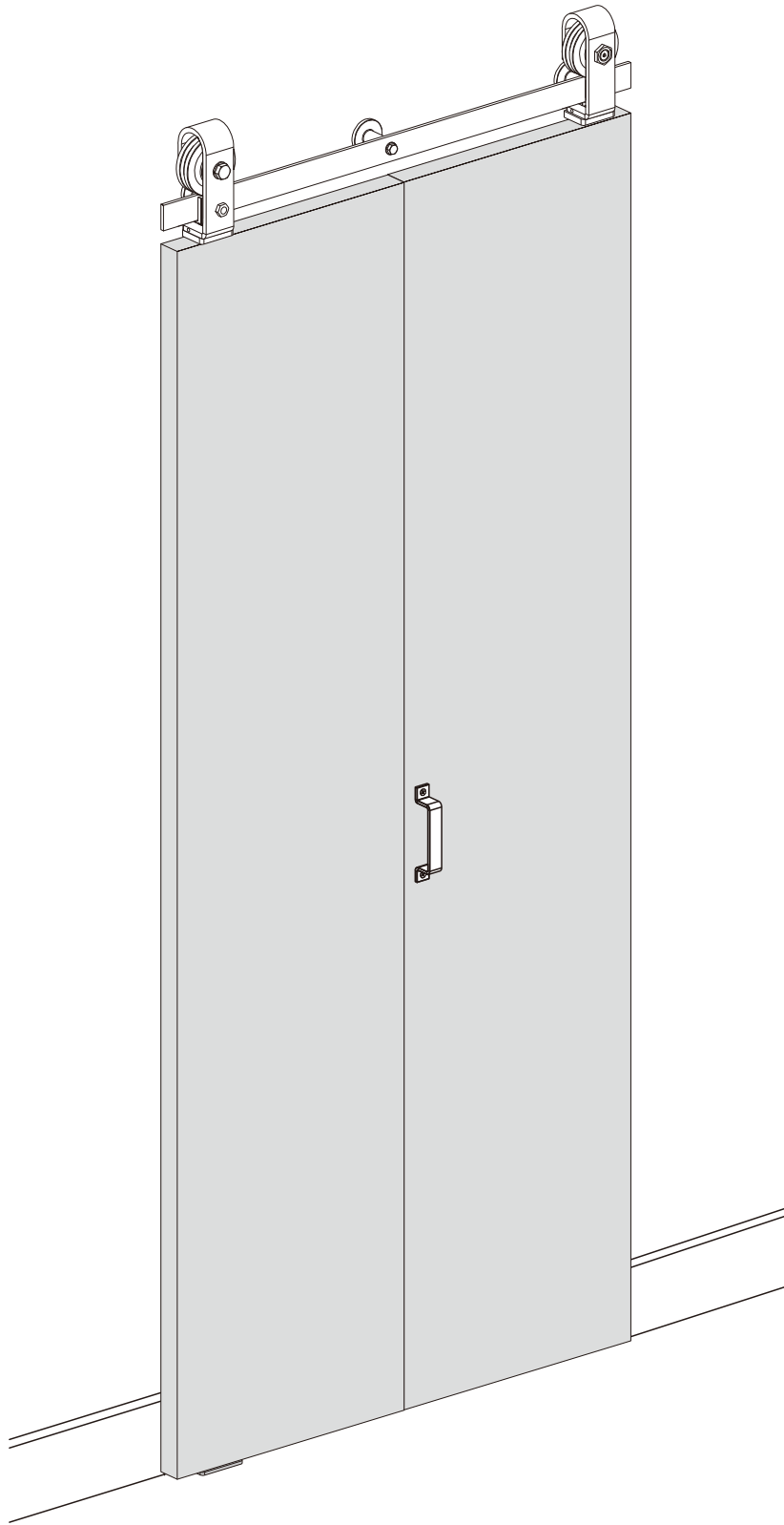
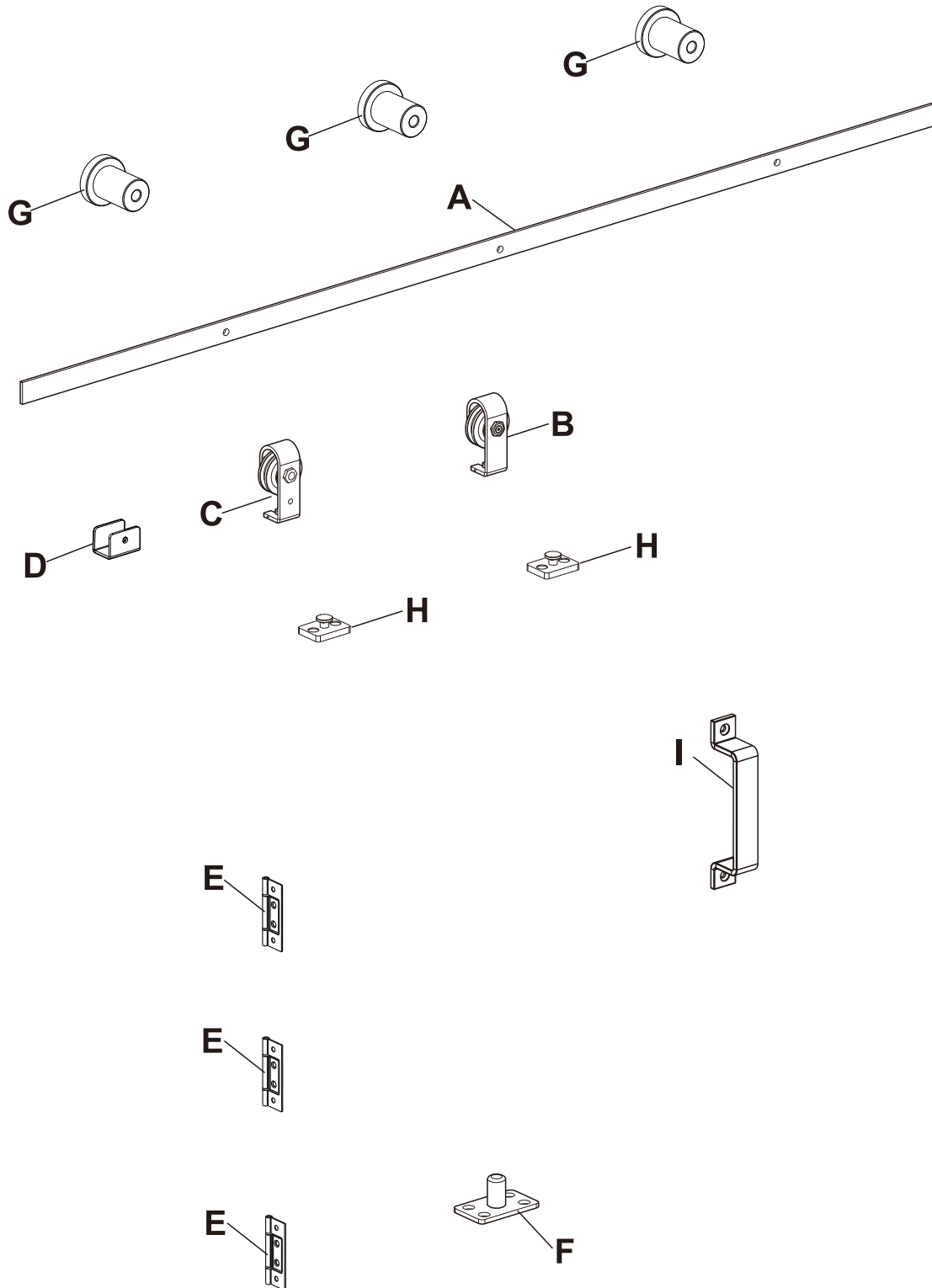


Installation Manual

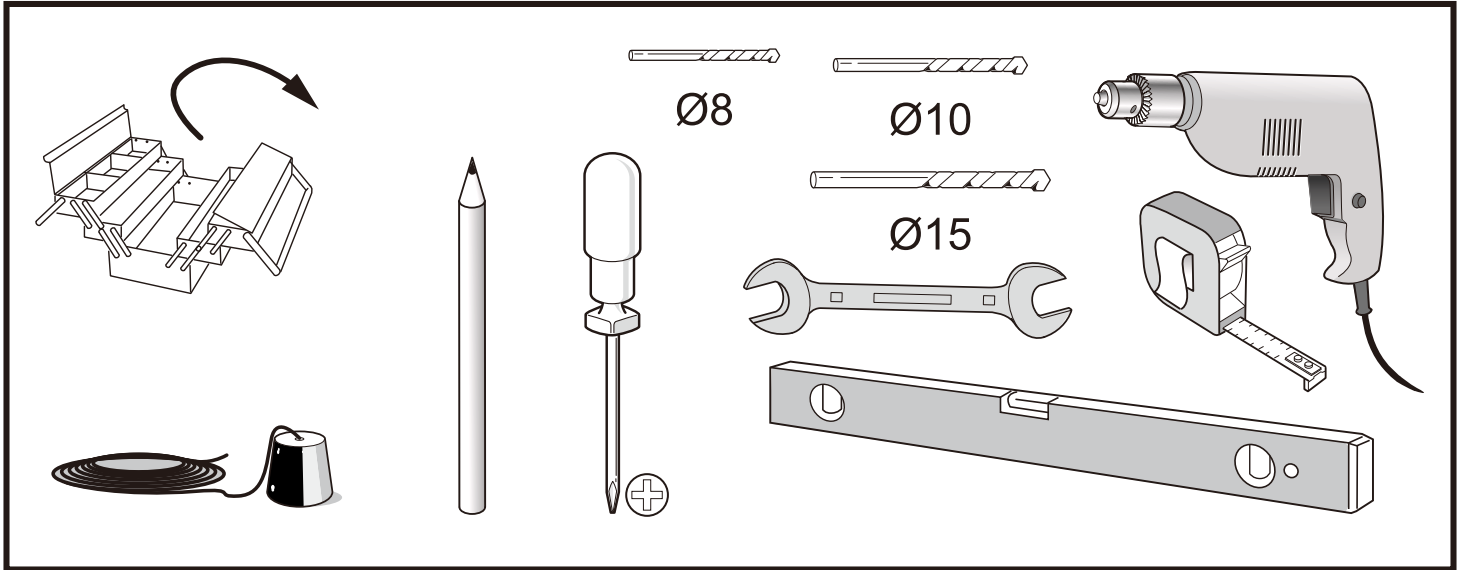


Components list



Pre-installation

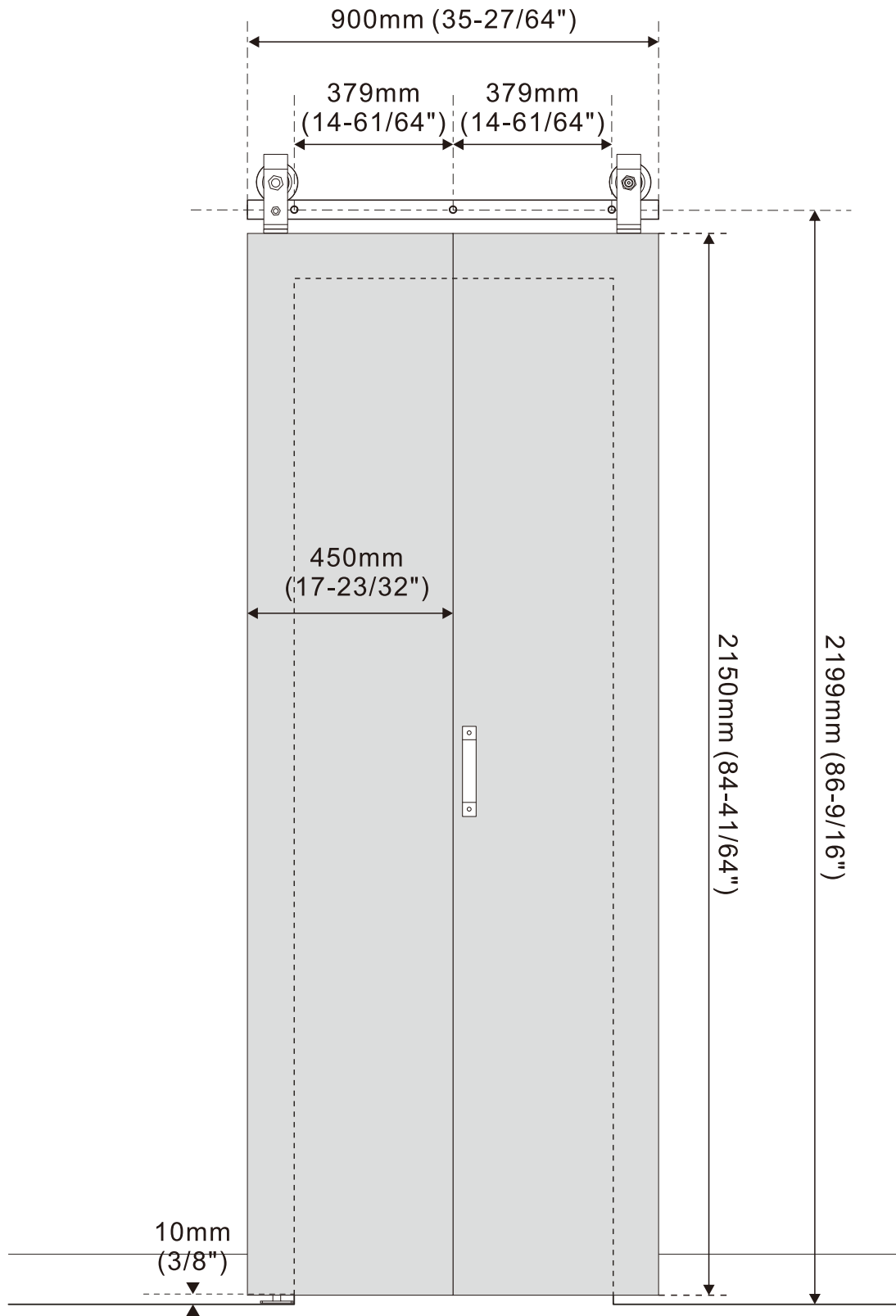
TOOLS REQUIRED



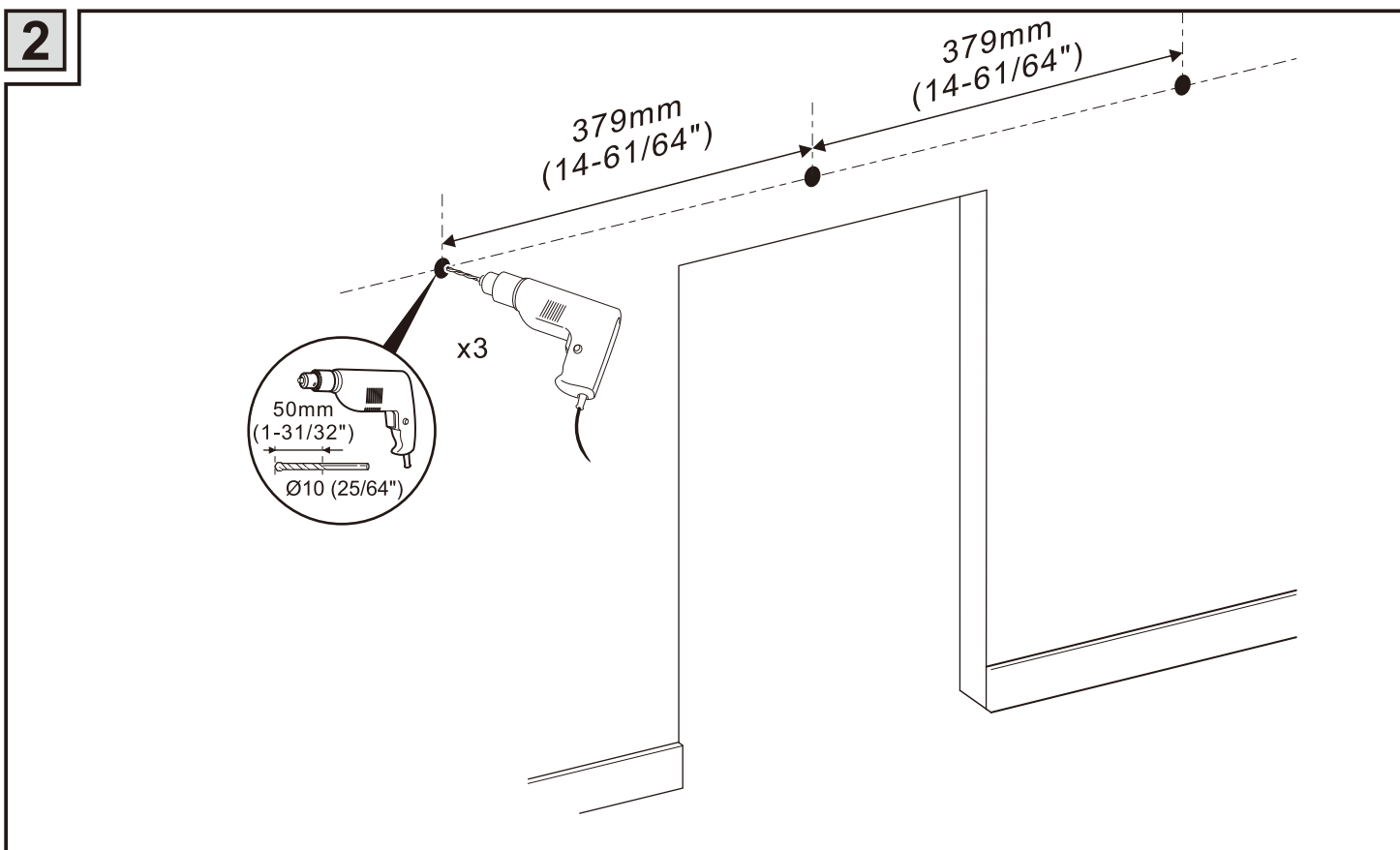
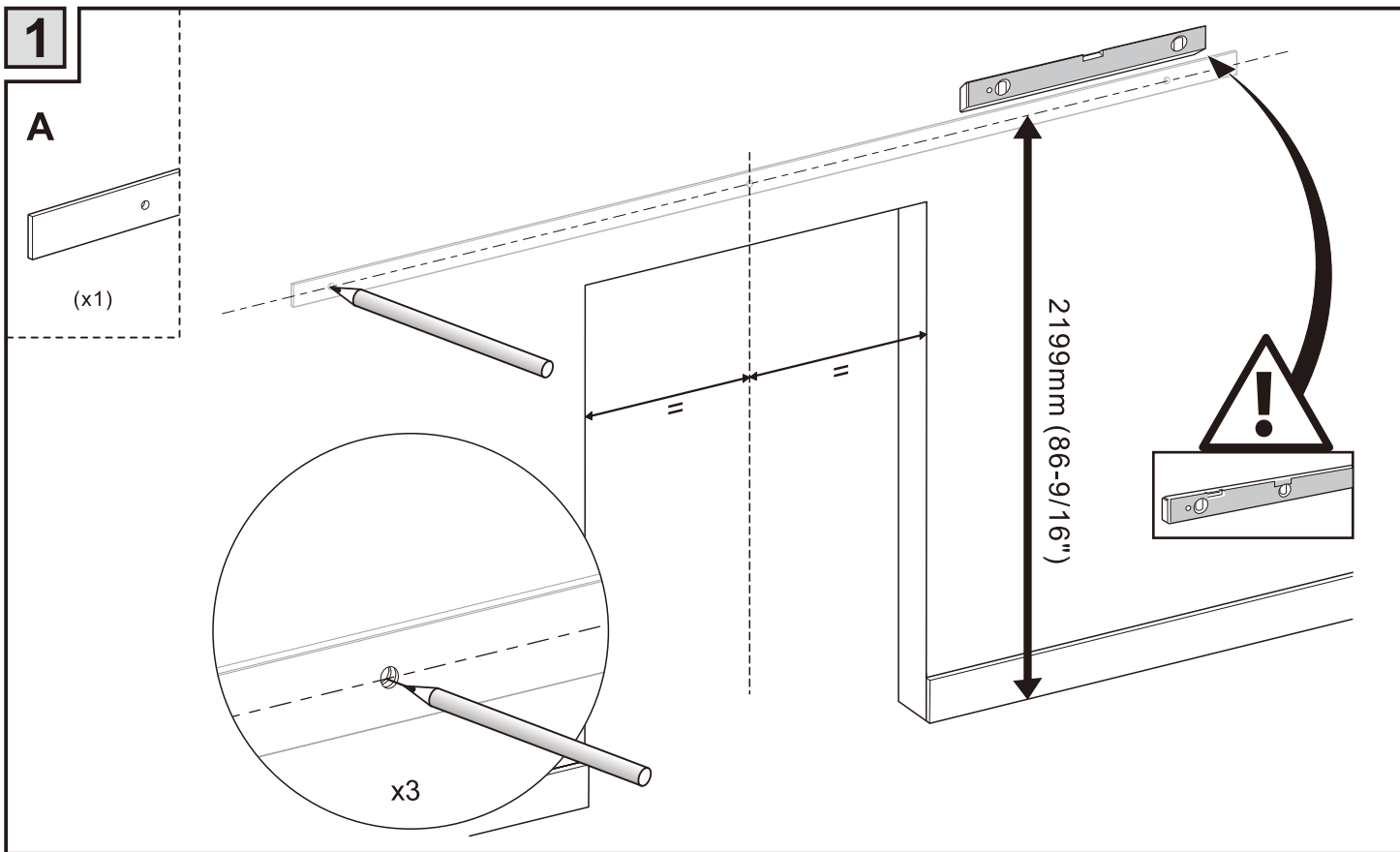
HARDWARE INCLUDED

<p>A</p> <p>Ø10 (x3) (x3) M8x90 (x3)</p>	<p>B</p> <p>(x1)</p>	<p>C</p> <p>(x1)</p>	<p>D</p> <p>(x1) (x1) (x1)</p>
<p>E</p> <p>(x3) ST3.5x30 (x12)</p>	<p>F</p> <p>(x1) Ø8 (x4) ST4.2x32 (x4)</p>	<p>I</p> <p>(x1)</p>	
<p>G</p> <p>(x3)</p>	<p>H</p> <p>(x2) ST4.8x50 (x4)</p>	<p>J</p> <p>(x1) ST5.5x32 (x2)</p>	

Section drawing



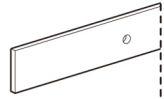
Installation



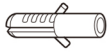
Installation

3

A



(x1)



Ø10 (x3)



(x3)

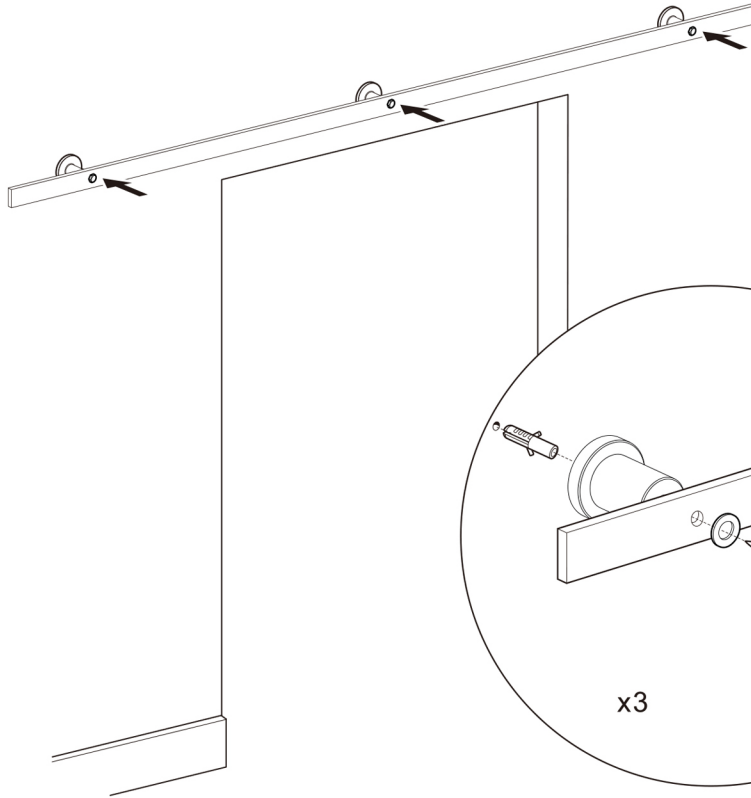


M8x90 (x3)

G



(x3)

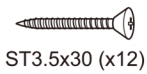


4

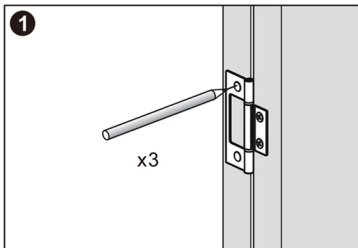
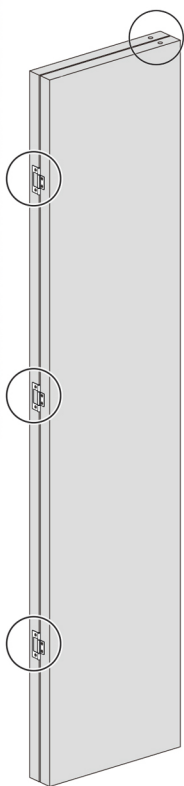
E



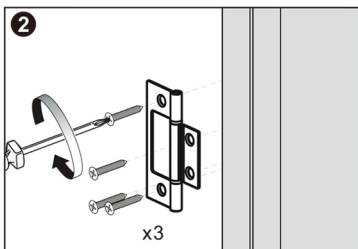
(x3)



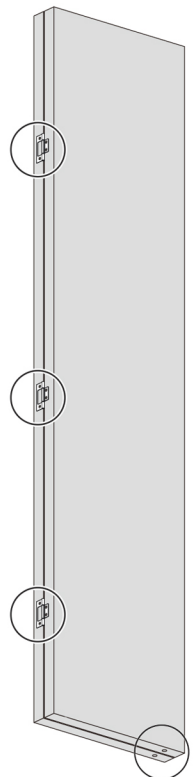
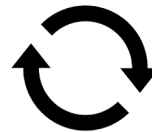
ST3.5x30 (x12)



x3



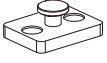
x3



Installation

5

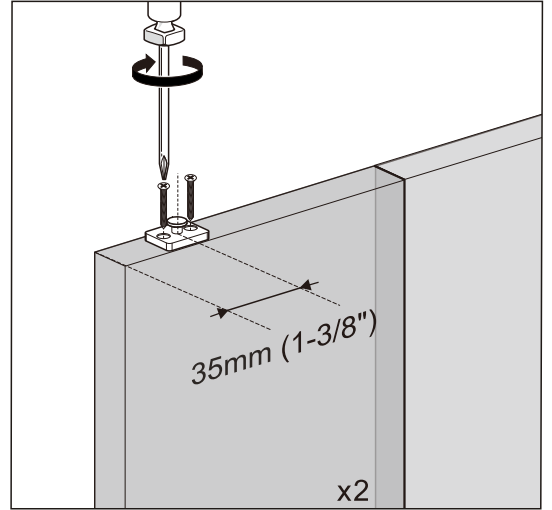
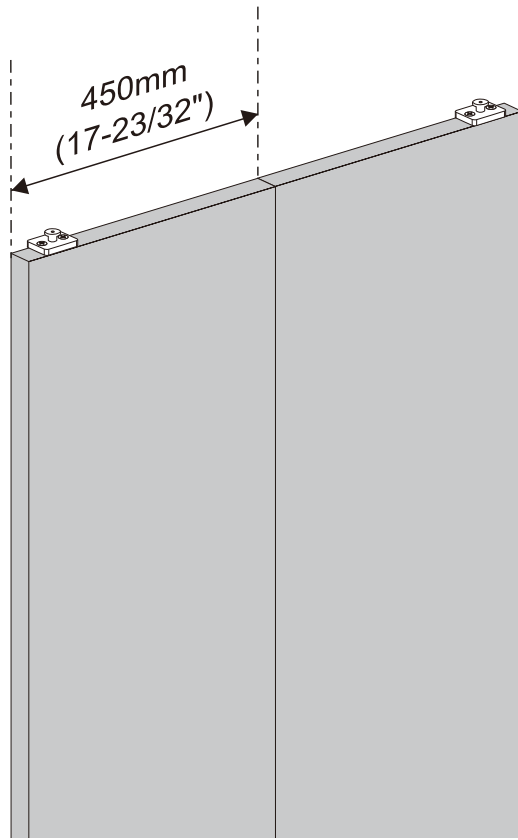
H



(x2)

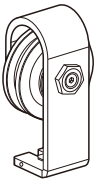


ST4.8x50 (x4)



6

B

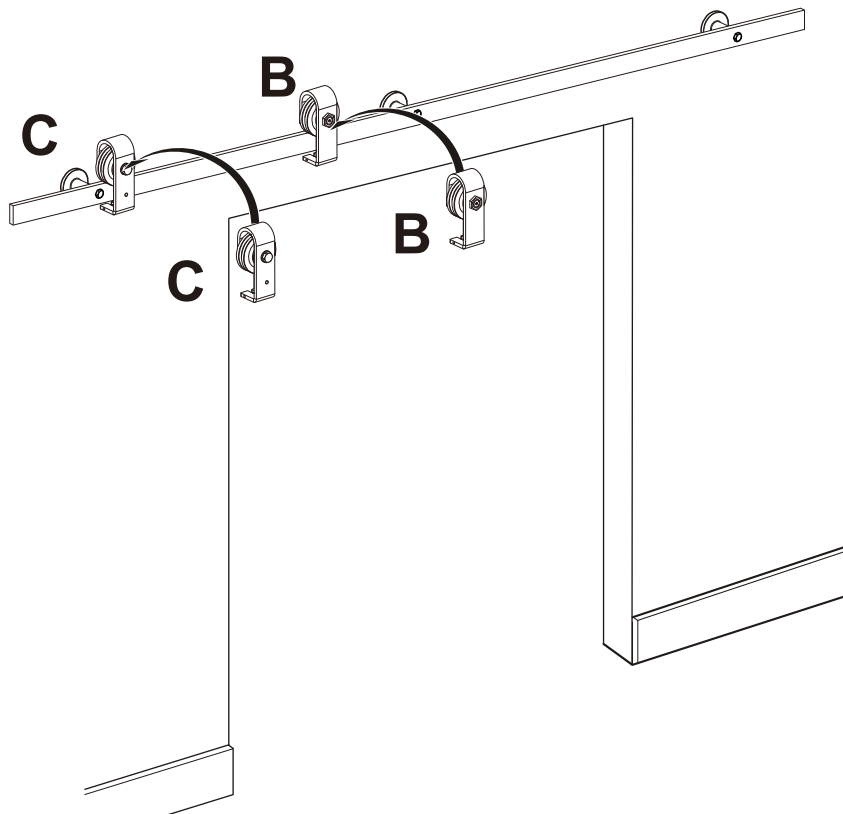


(x1)

C



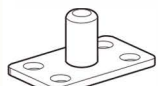
(x1)



Installation

7

F



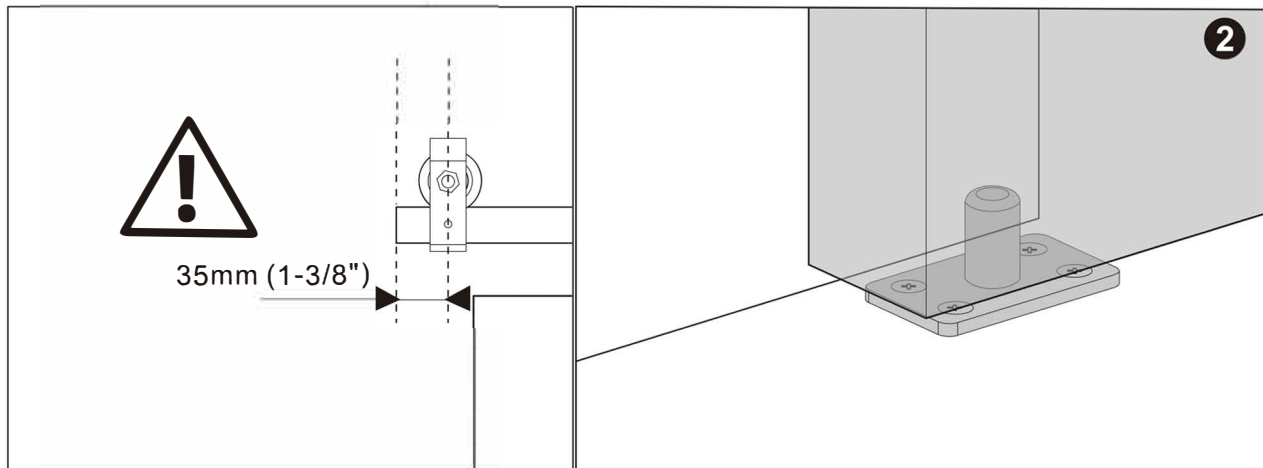
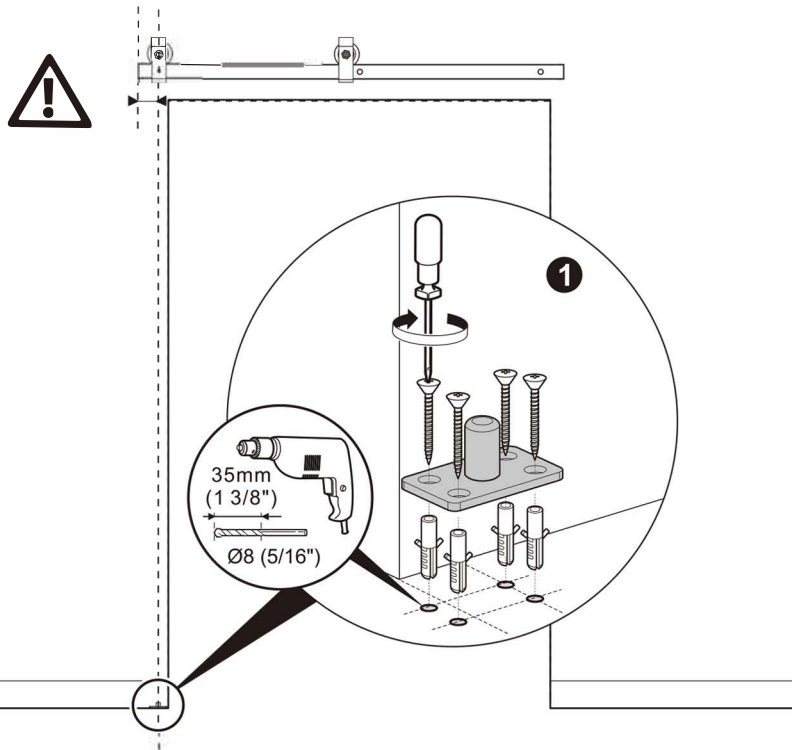
(x1)



Ø8 (x4)

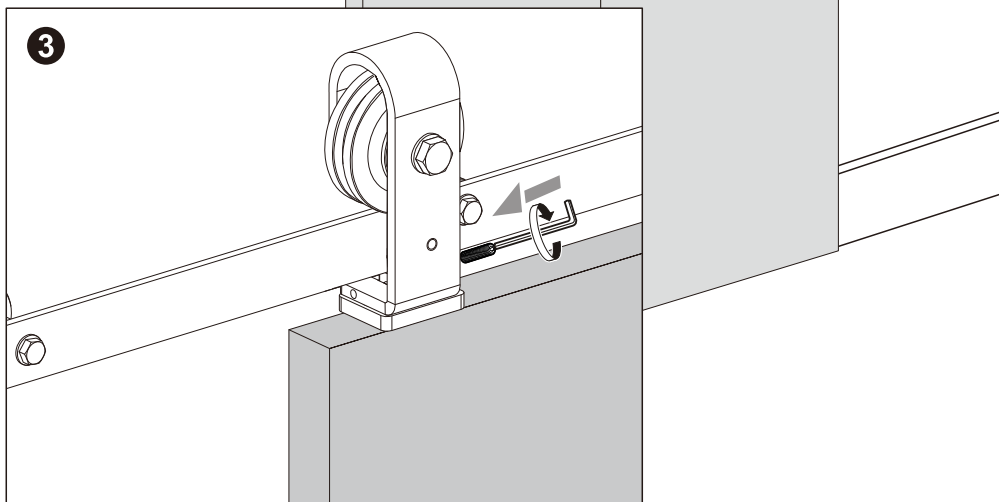
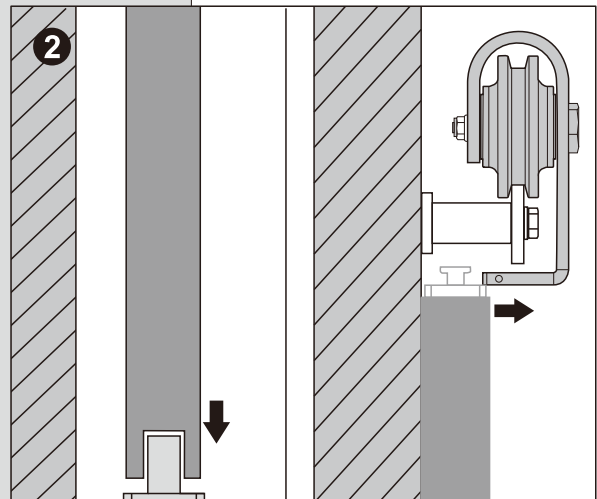
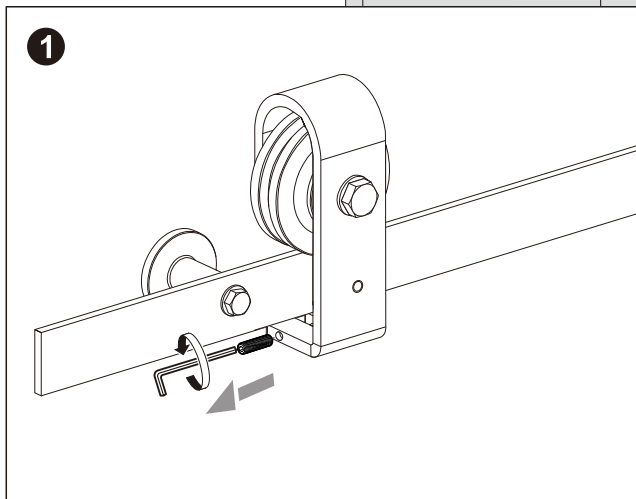
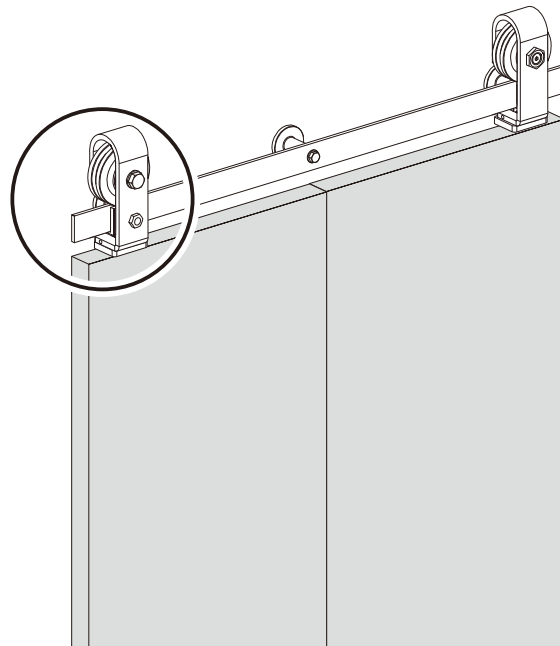


ST4.2x32 (x4)



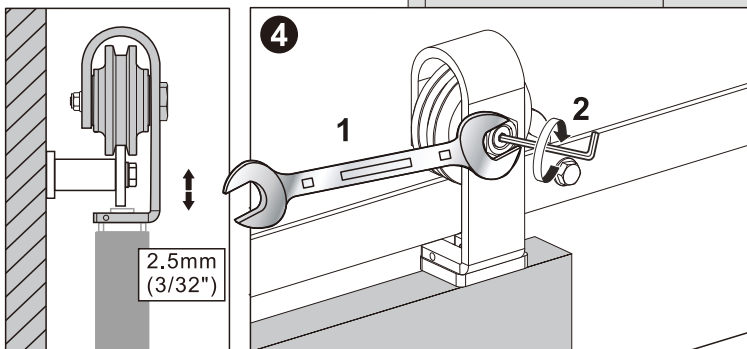
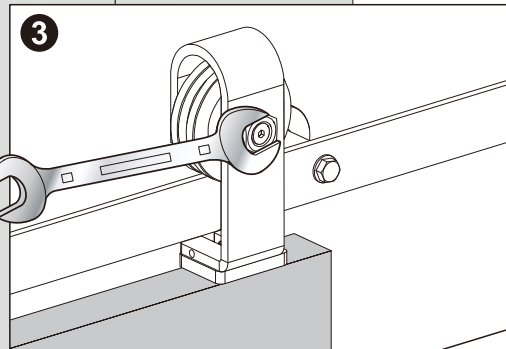
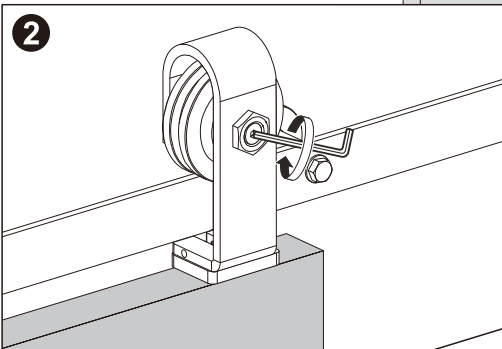
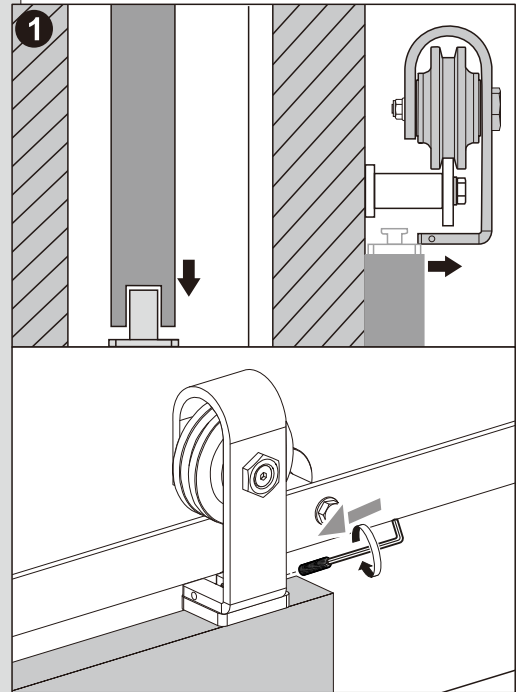
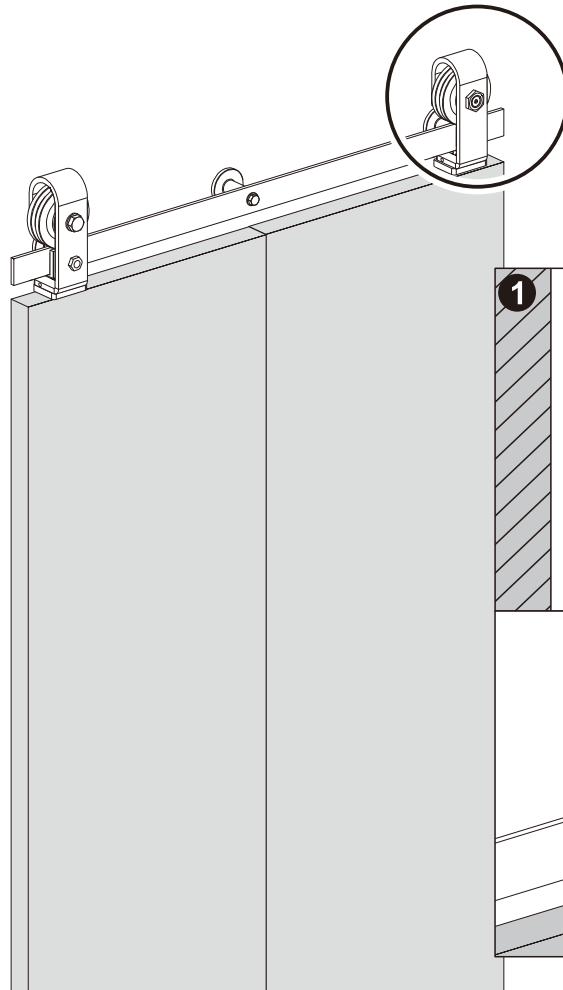
Installation

8



Installation

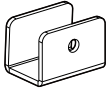
9



Installation

10

D



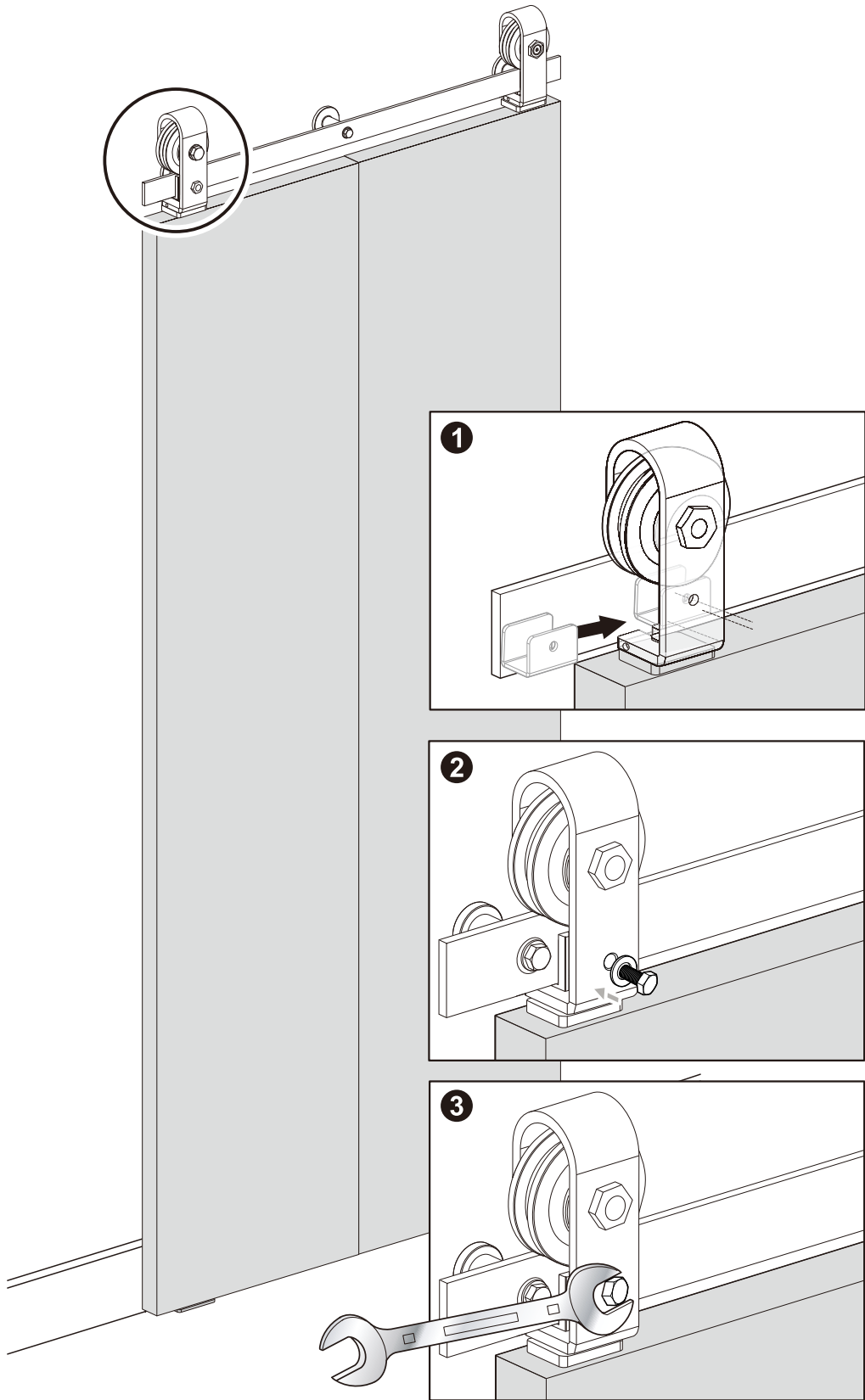
(x1)



(x1)



(x1)



Installation

11

I



(x1)



ST5.5x32 (x2)

