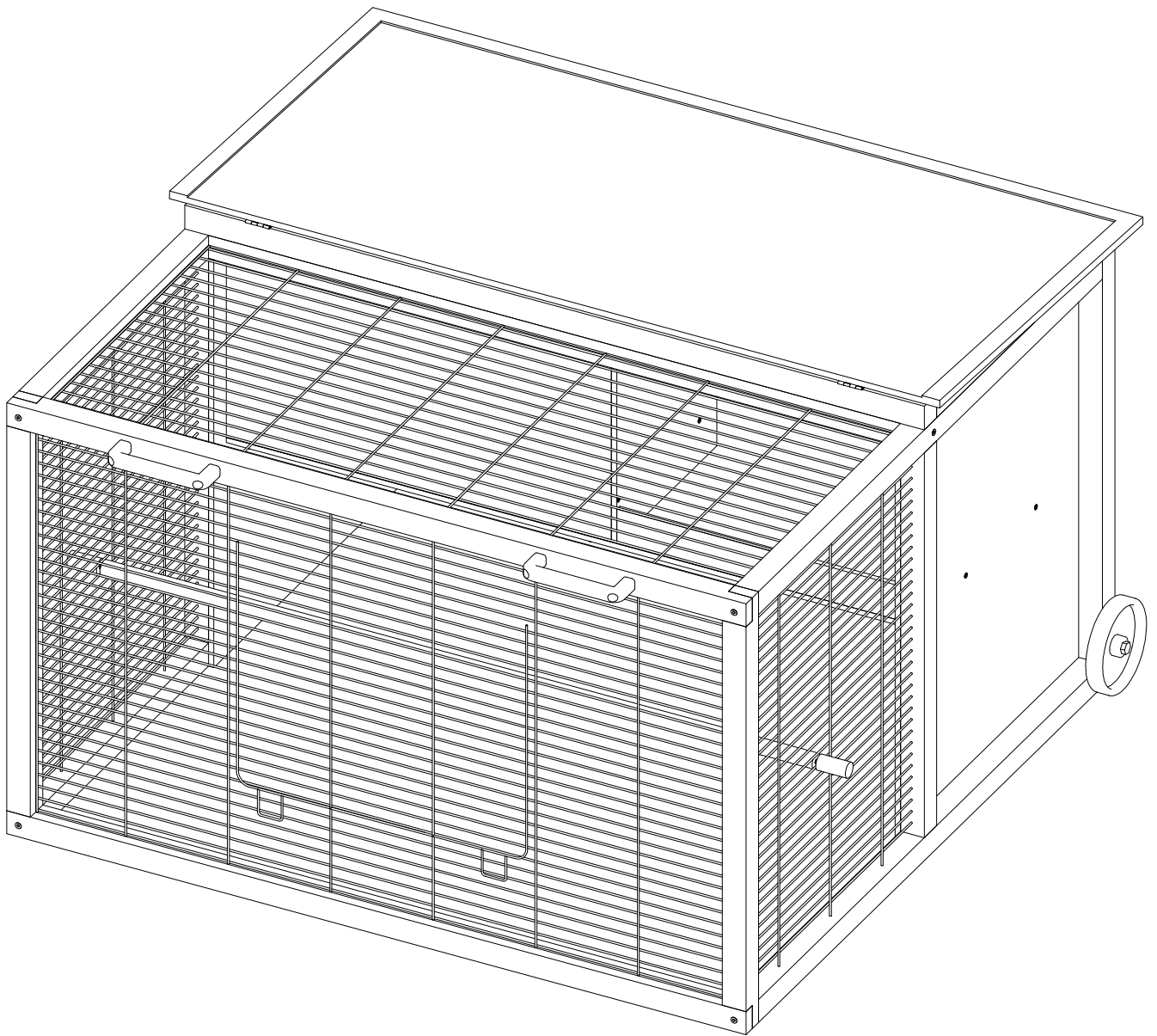
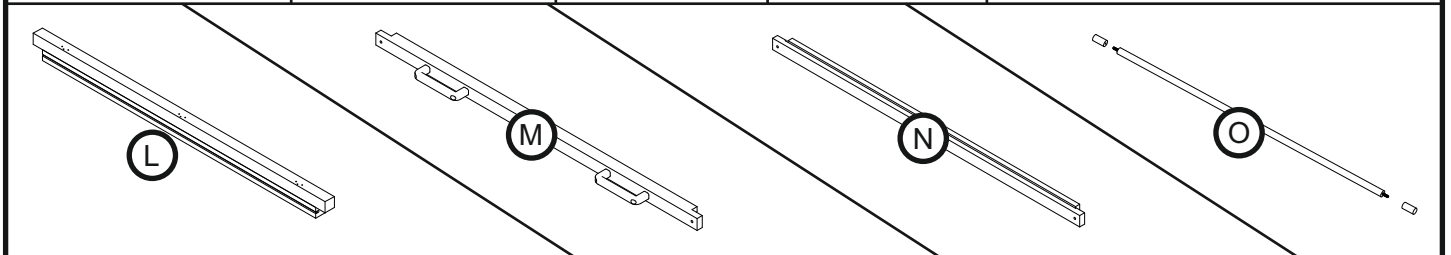
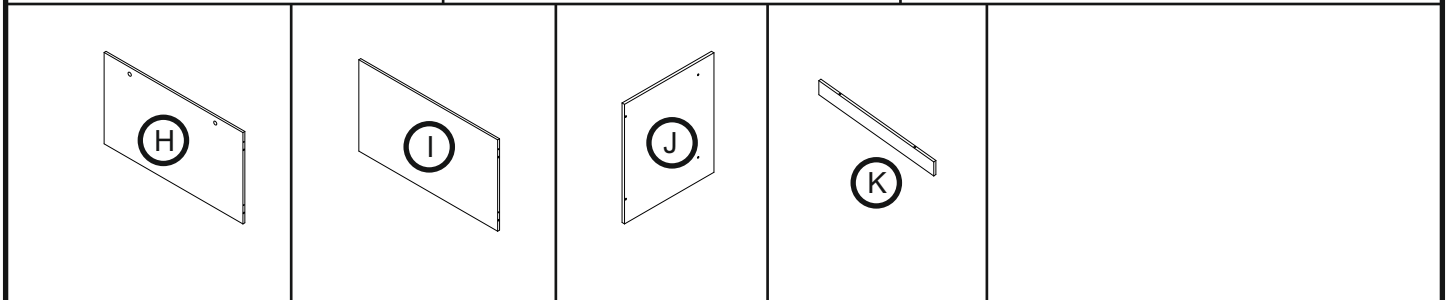
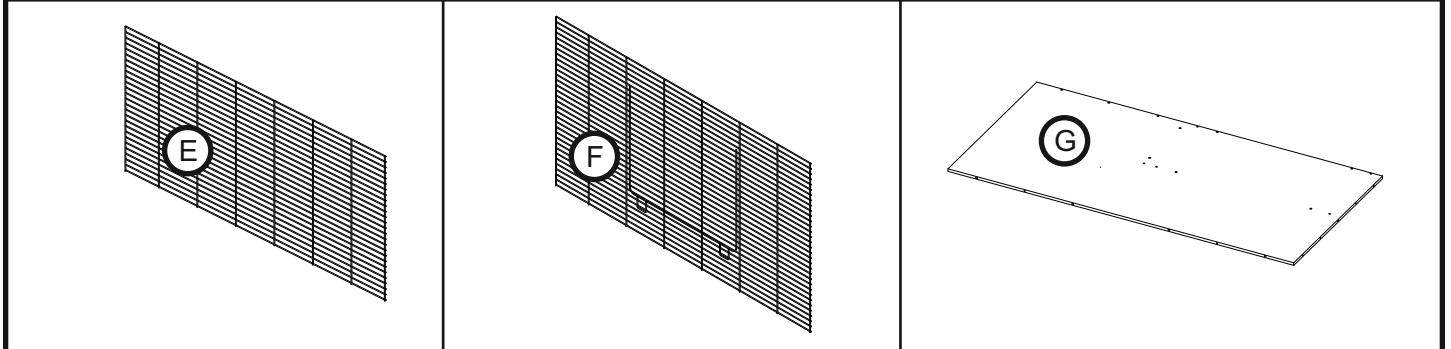
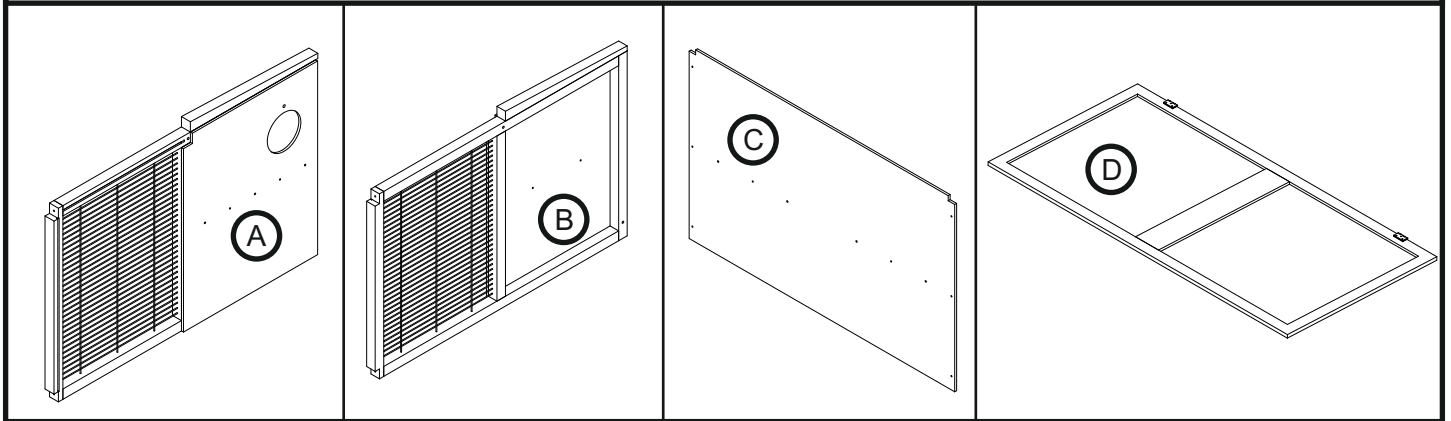


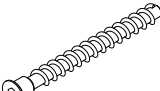
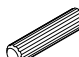


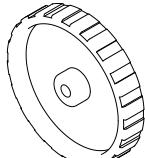





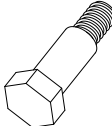

ASSEMBLING INSTRUCTION

10849




ASSEMBLING INSTRUCTION

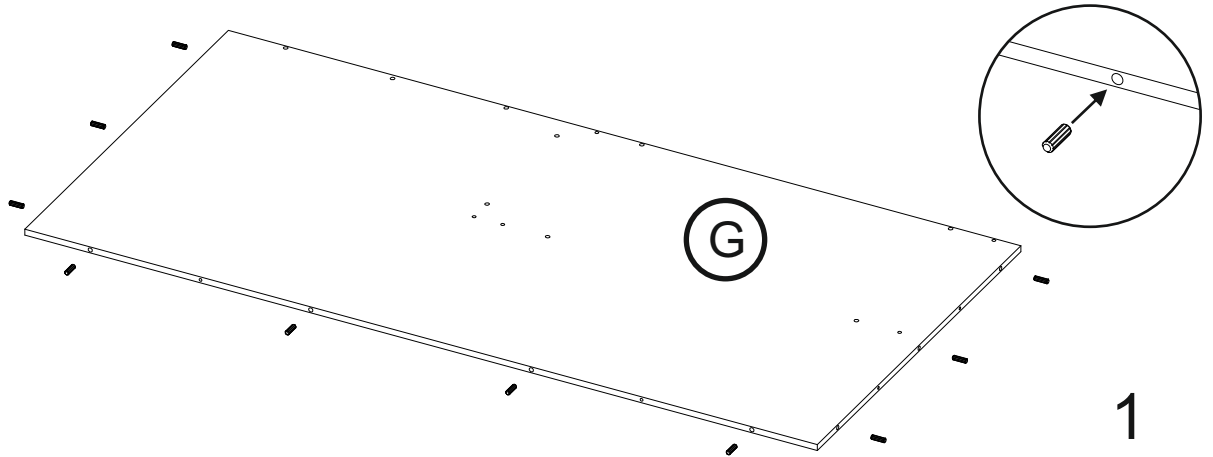


<p>7 x 70</p>  <p>x6</p>	<p>8 x 35</p>  <p>x2</p>	<p>3 x 20</p>  <p>x6</p>	<p>M6</p>  <p>x2</p>	 <p>x2</p>	 <p>#4</p>
<p>5 x 30</p>  <p>x23</p>	<p>6 x 30</p>  <p>x23</p>	<p>#5</p>  <p>x2</p>	<p>M6x10</p>  <p>x2</p>	 <p>x2</p>	 <p>#3</p>

ASSEMBLING INSTRUCTION


6 x 30

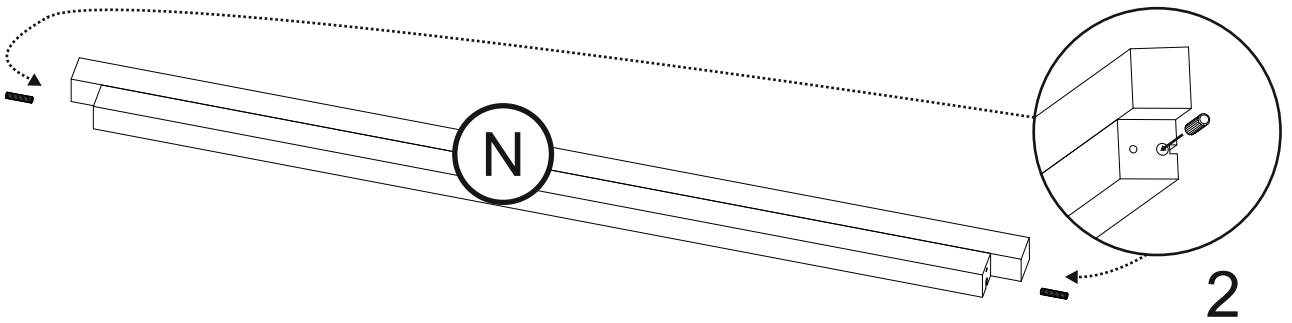
 x10



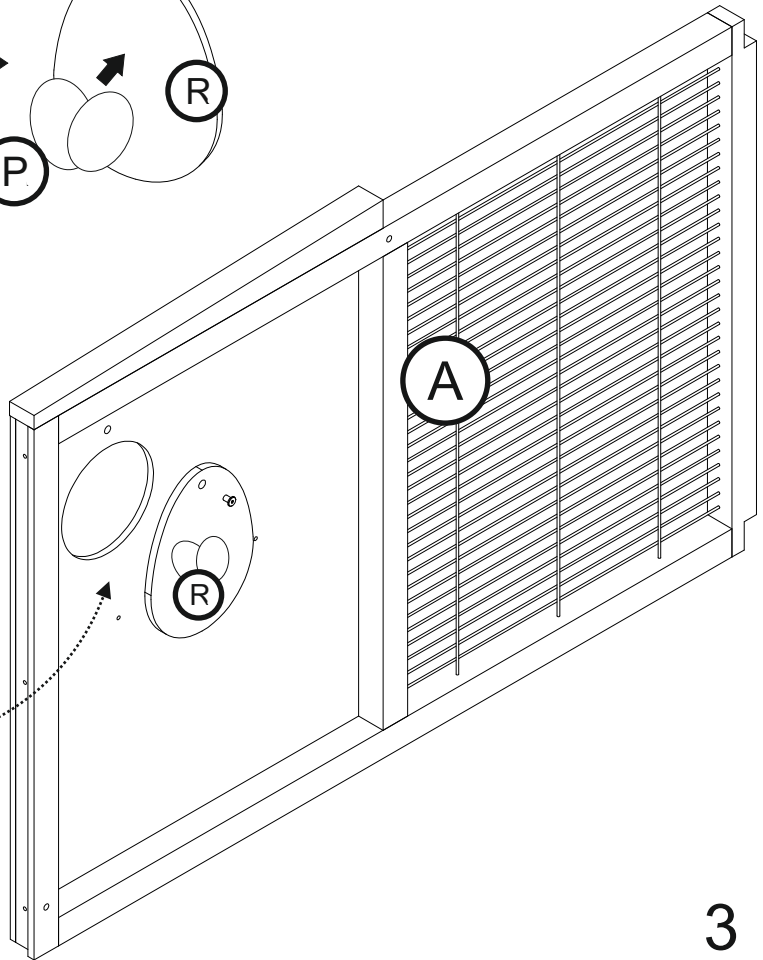
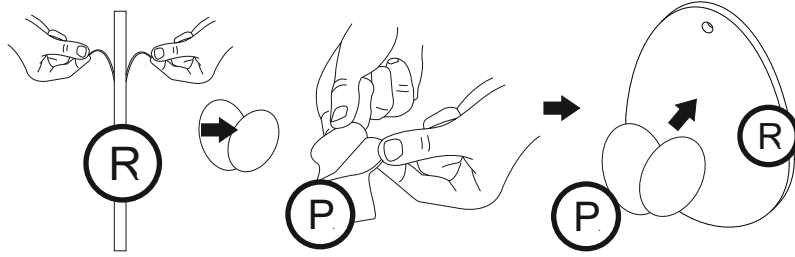
1

8 x 35

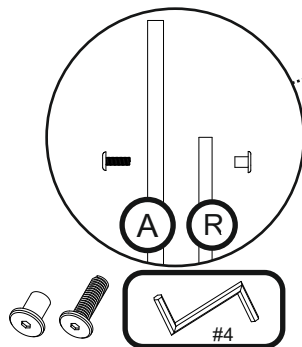
 x2



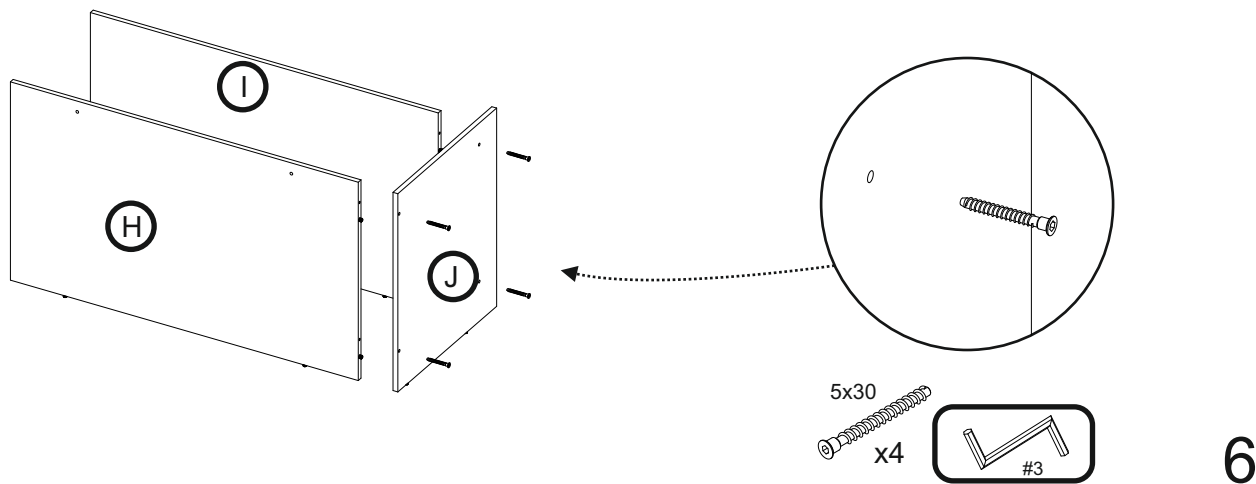
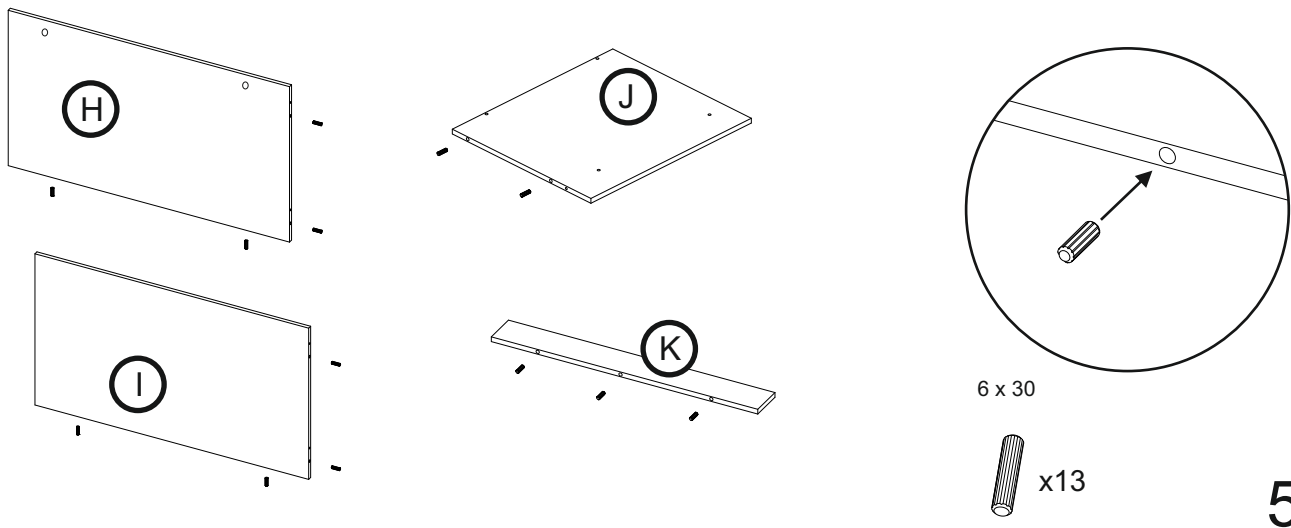
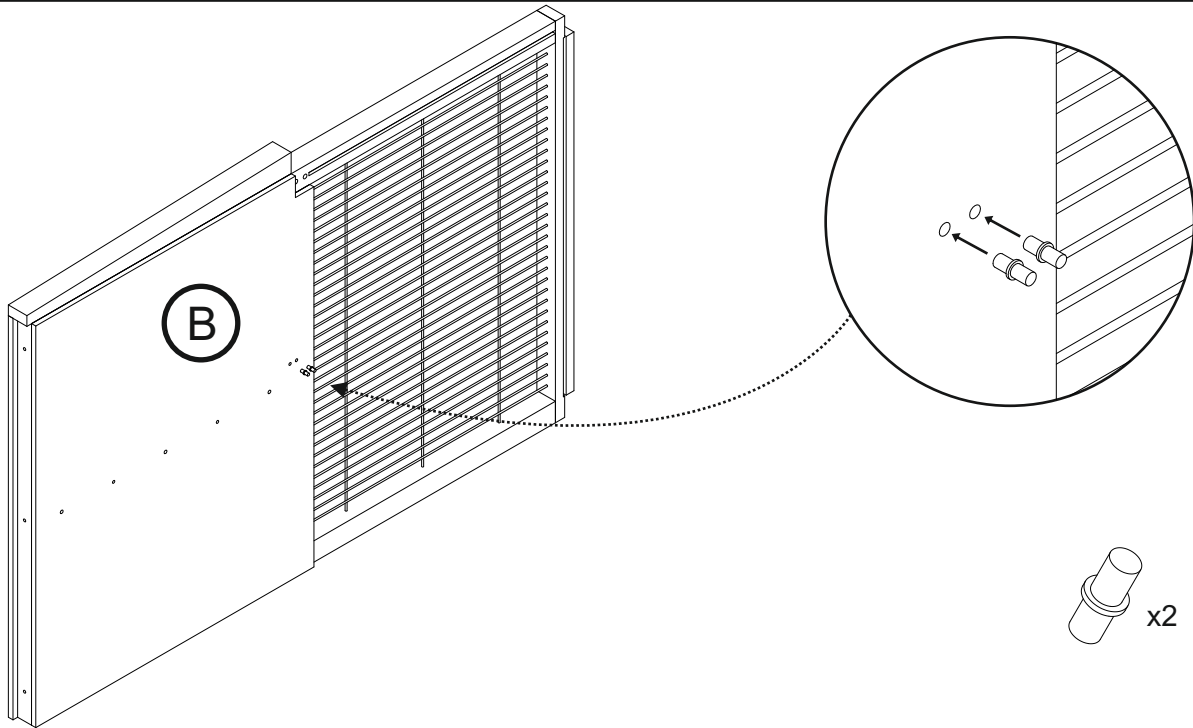
2



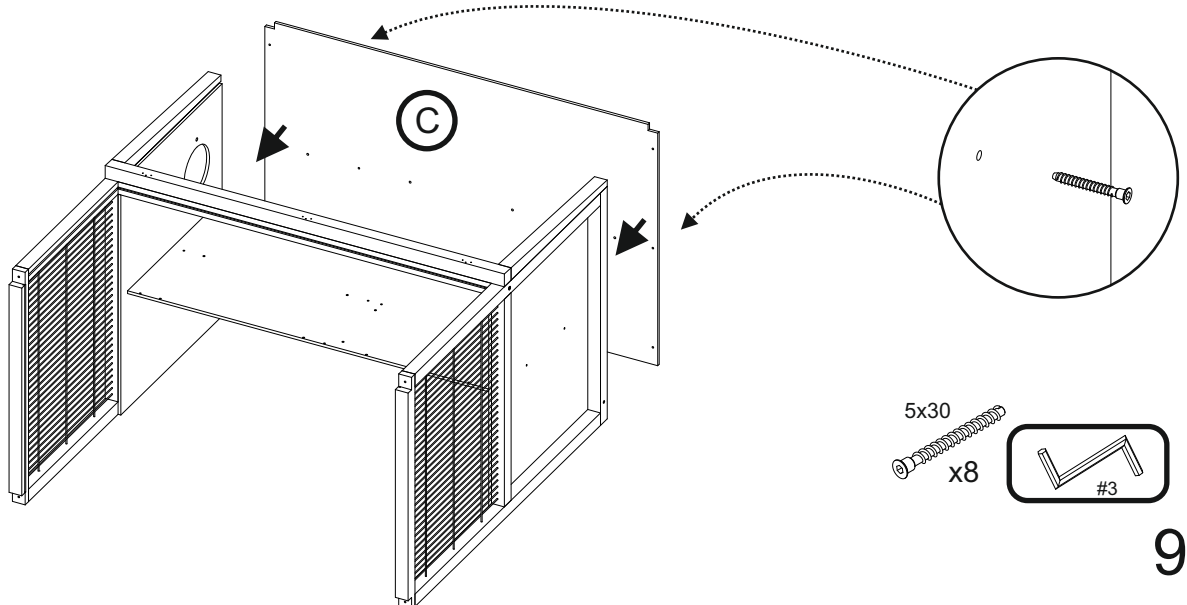
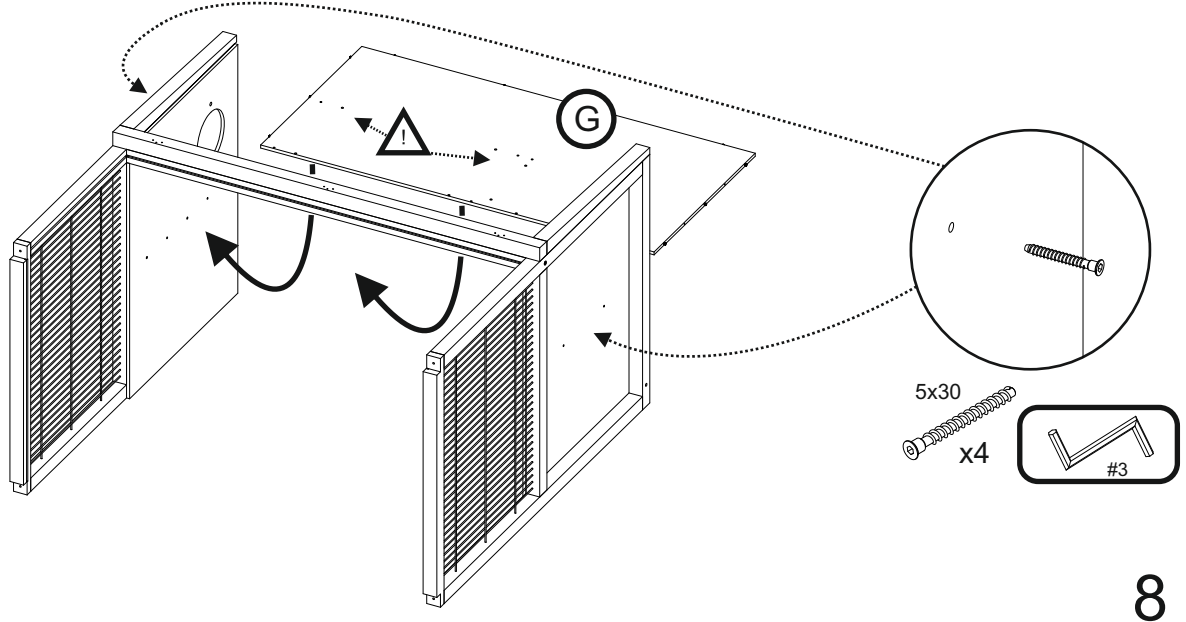
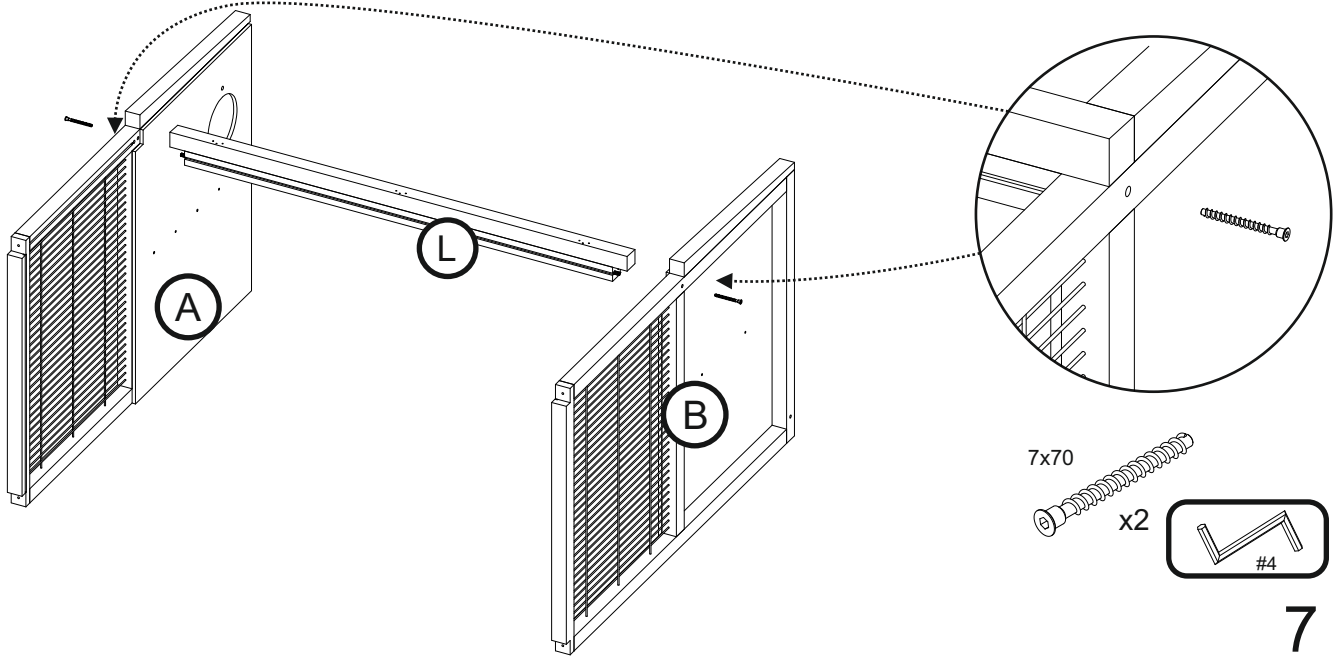
3



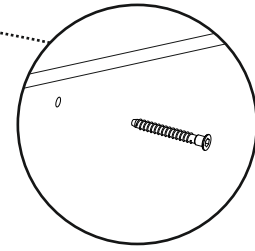
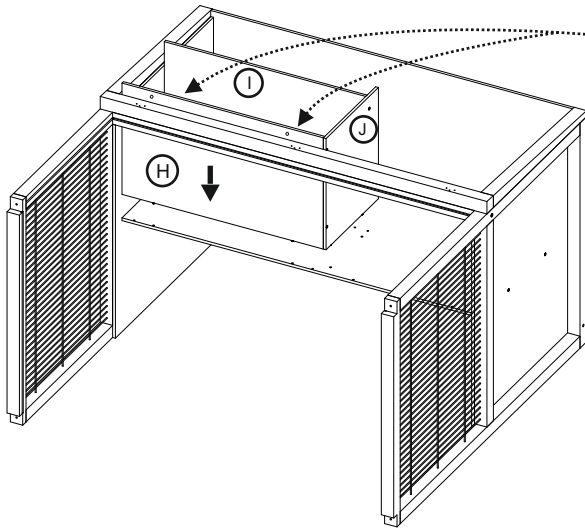
ASSEMBLING INSTRUCTION



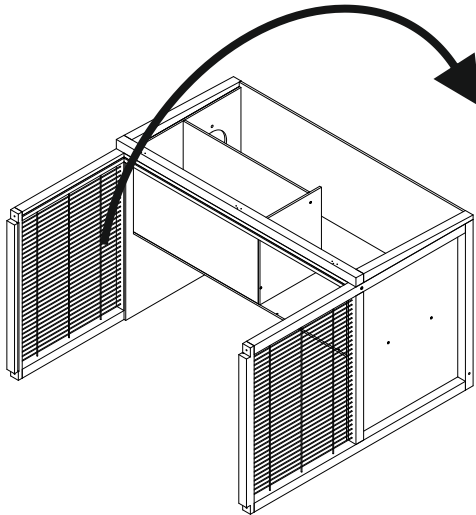
ASSEMBLING INSTRUCTION



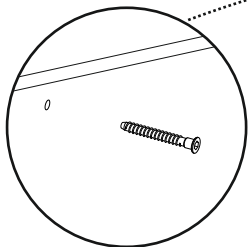
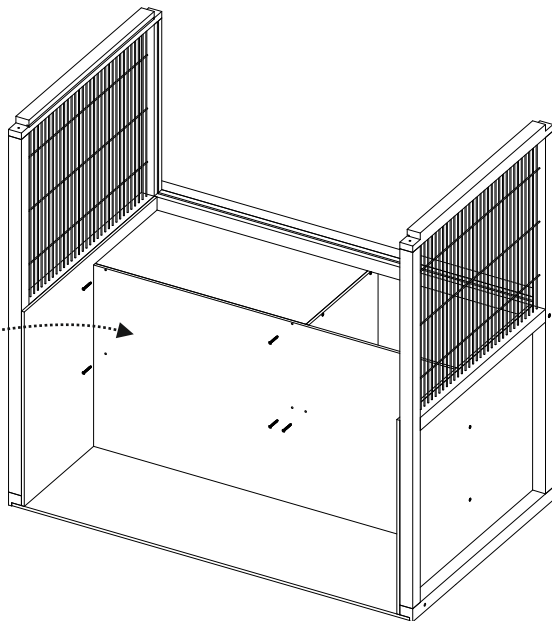
ASSEMBLING INSTRUCTION



10

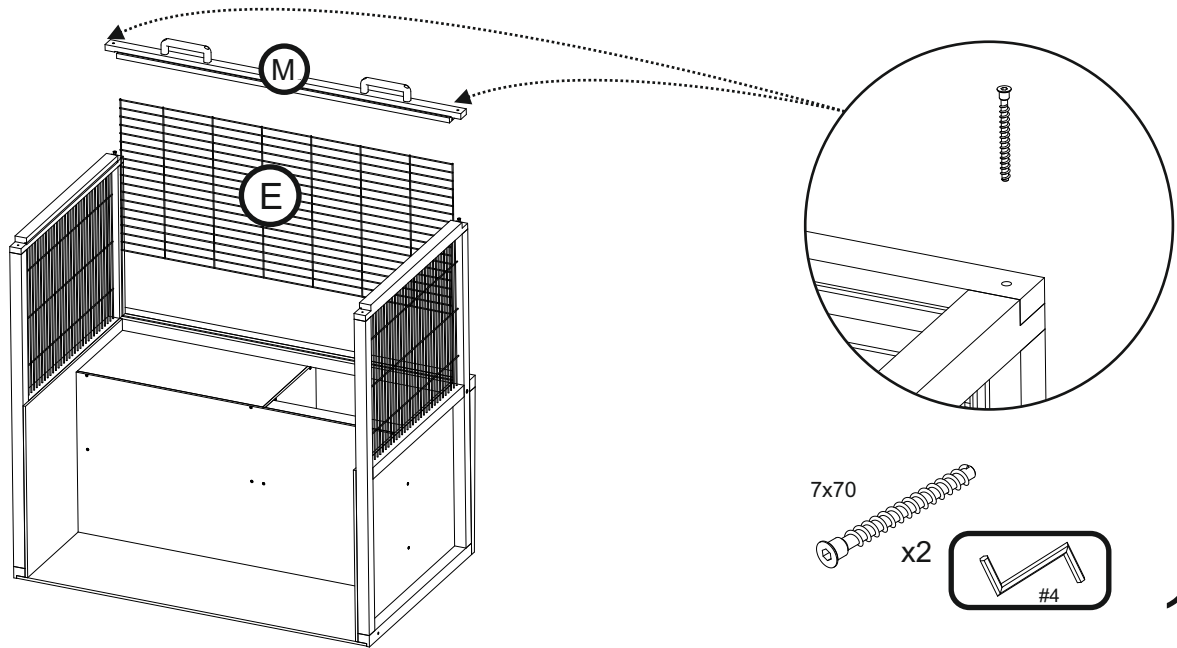


11

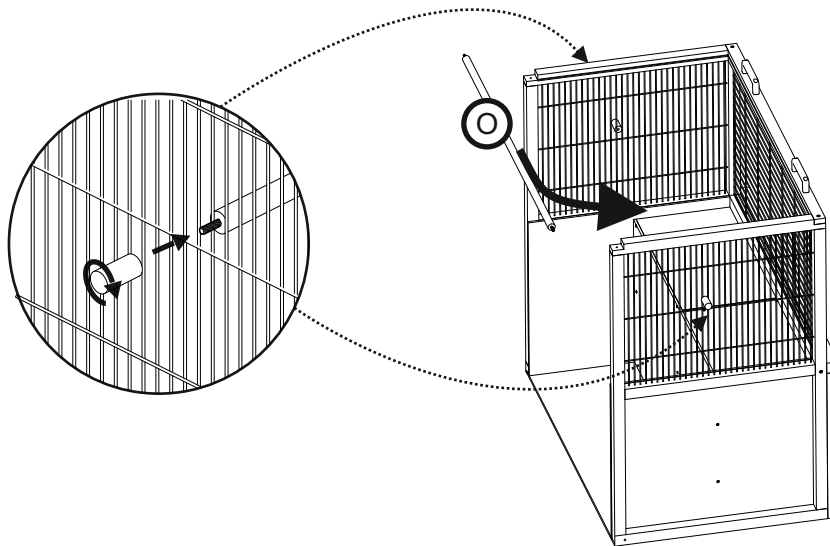


12

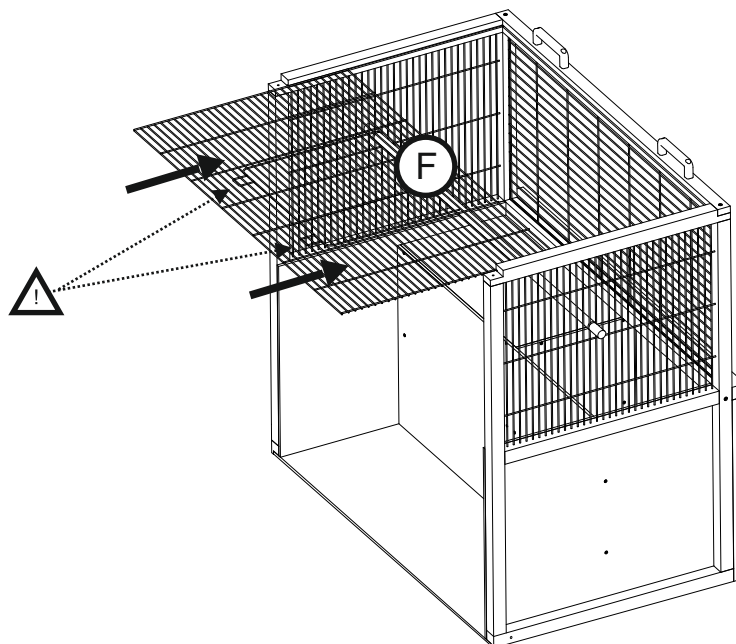
ASSEMBLING INSTRUCTION



13

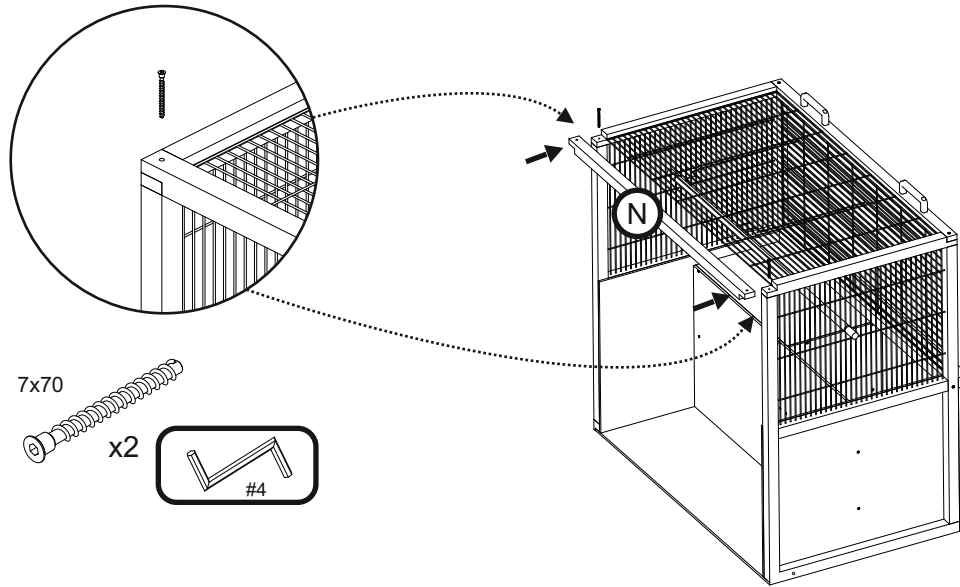


14

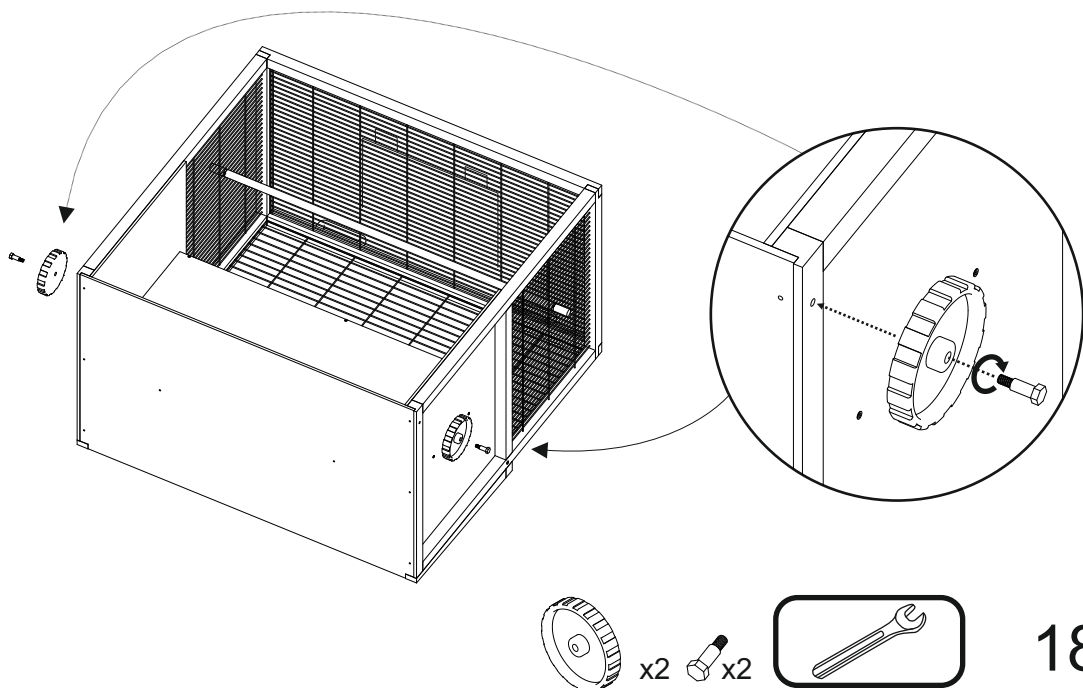
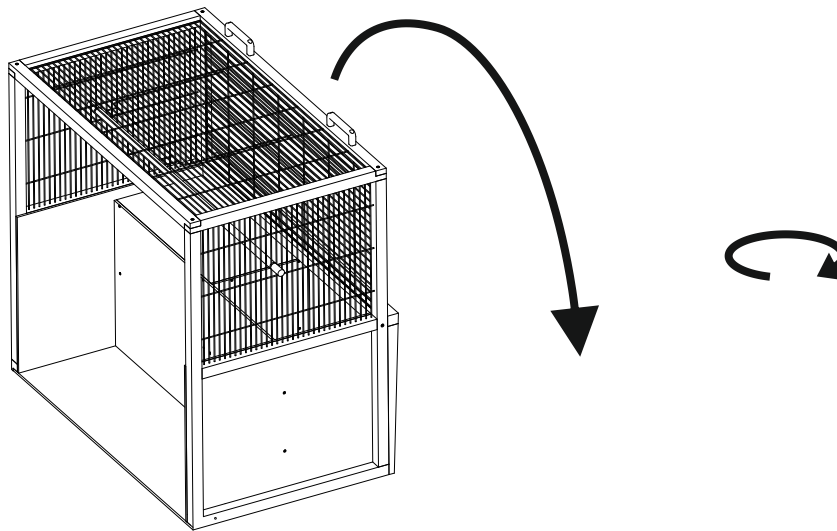


15

ASSEMBLING INSTRUCTION

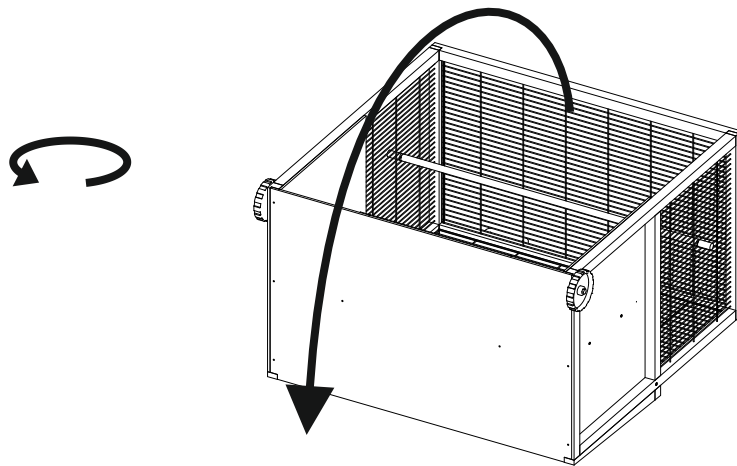


16

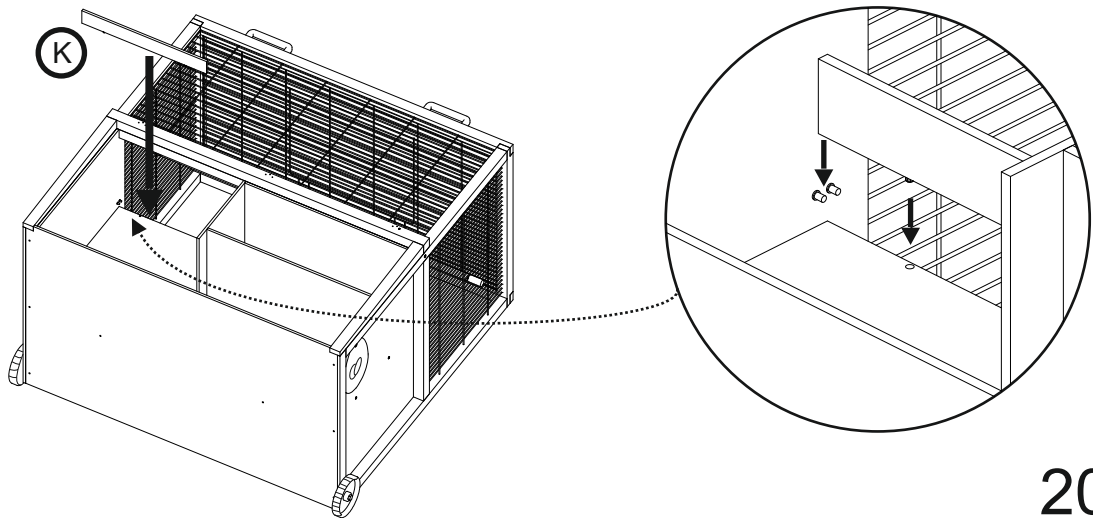


18

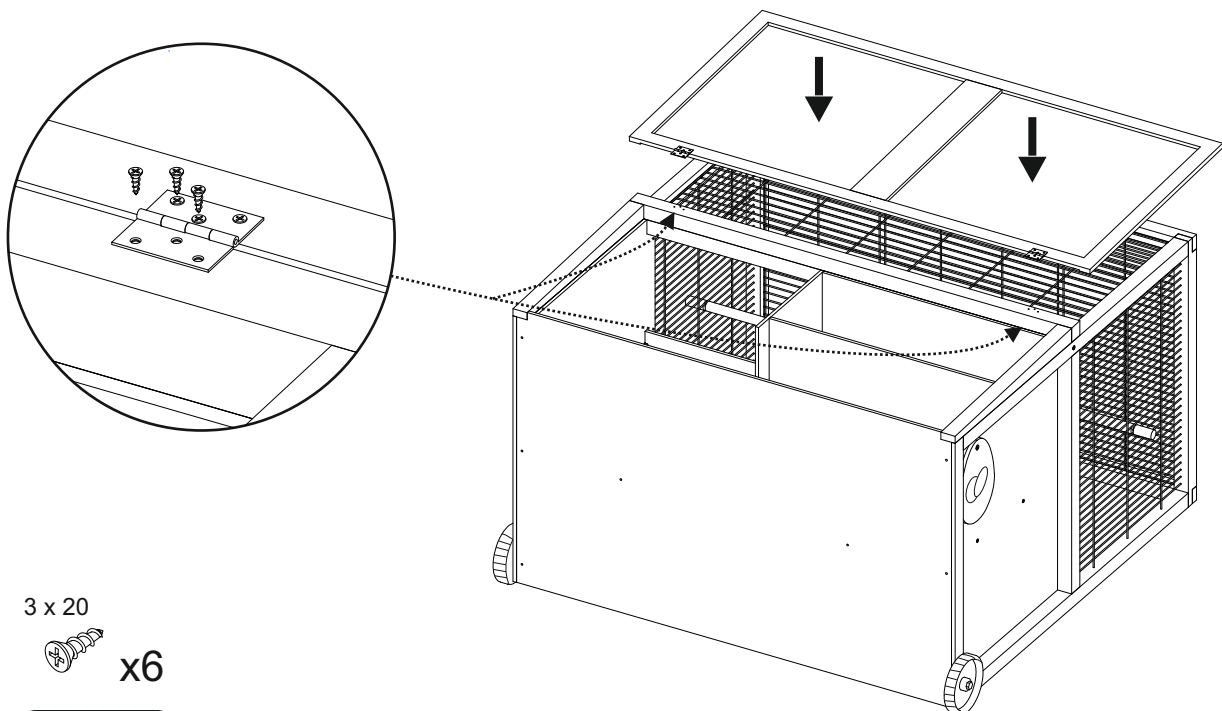
ASSEMBLING INSTRUCTION



19



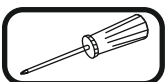
20



3 x 20



x6



21

ASSEMBLING INSTRUCTION

