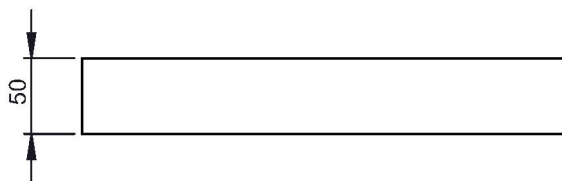
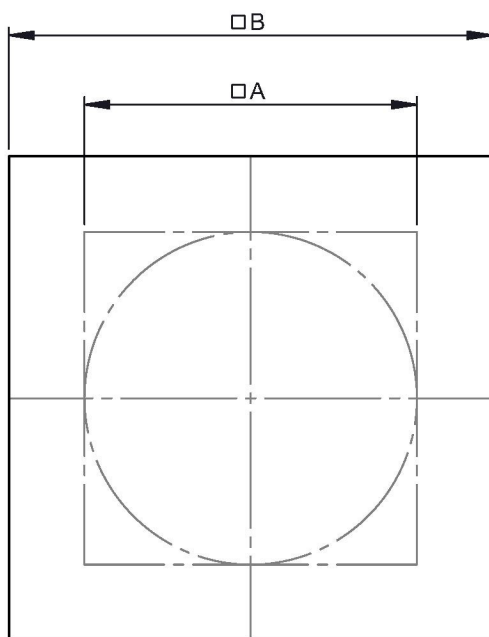


A

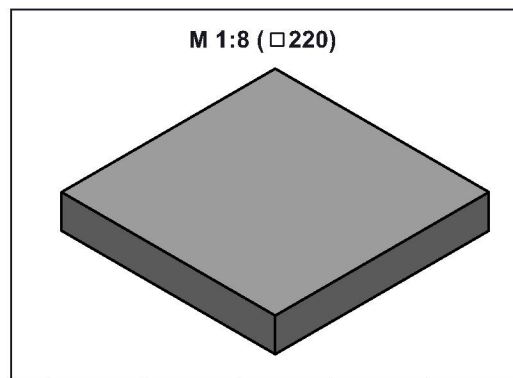


B



C

D



E

				<b>190</b>	<b>210</b>		<b>230</b>	<b>240</b>						
<b>A</b>				190	210		230	240						
<b>B</b>				290	310		330	340						
<b>kg</b>				1,3	1,4		1,6	1,7						

F

notes:

DIN ISO 13920 Tolerances B

revisions-no.

A1

mm / kg

drawn by

01.12.2020

name

JLA

checked by

approved by

modified by

  
**Jeremias**<sup>®</sup>  
 CHIMNEY SYSTEMS

description

Bodenplatte glatt

code

LS...X...-1658

drawing-no.

05-10-1204-000

scale

1:5

format

A4

sheet

1 of 1

