

A

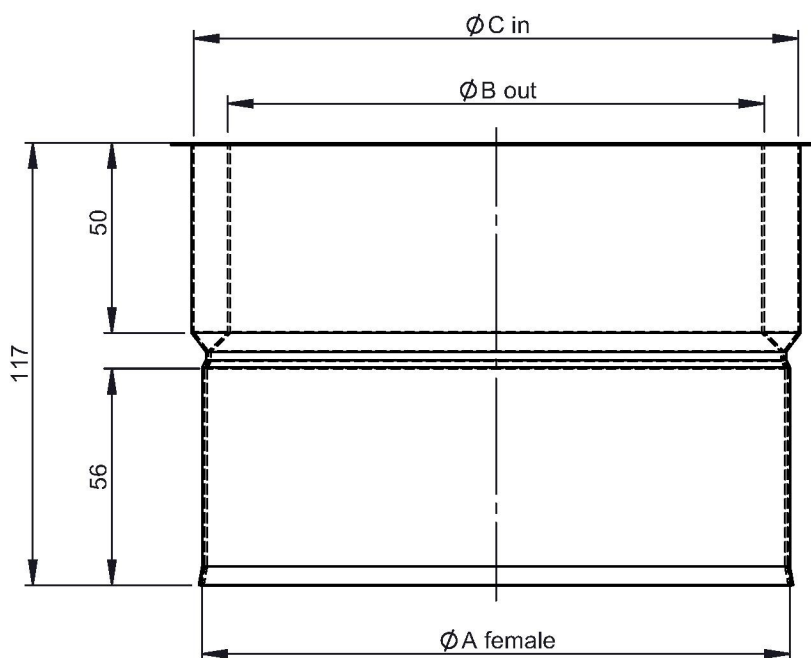
B

C

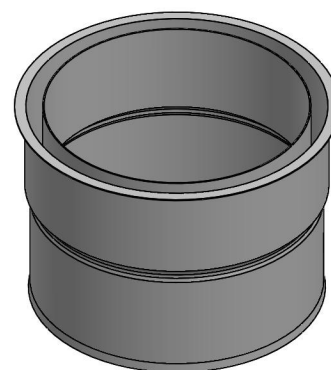
D

E

F



1:4 (150)



\varnothing			115	120		130		150	160	180										
A			115	120		130		150	160	180										
B			107	112		122		142	152	172										
C			125	130		140		160	170	190										
kg			0,43	0,45		0,49		0,56	0,6	0,67										

notes:

ENCD

DIN ISO 13920 Tolerances B

revisions-no.

A

mm / kg

date

name

drawn by

17.08.20

JAD

checked by

17.08.20

SWA

approved by

17.08.20

JWY

modified by

Jeremias[®]
CHIMNEY SYSTEMS

description Female two-wall

code **FU42F**drawing-no. **01-20-3401-000**

scale

1:2

format

A4

sheet

1 of 1

