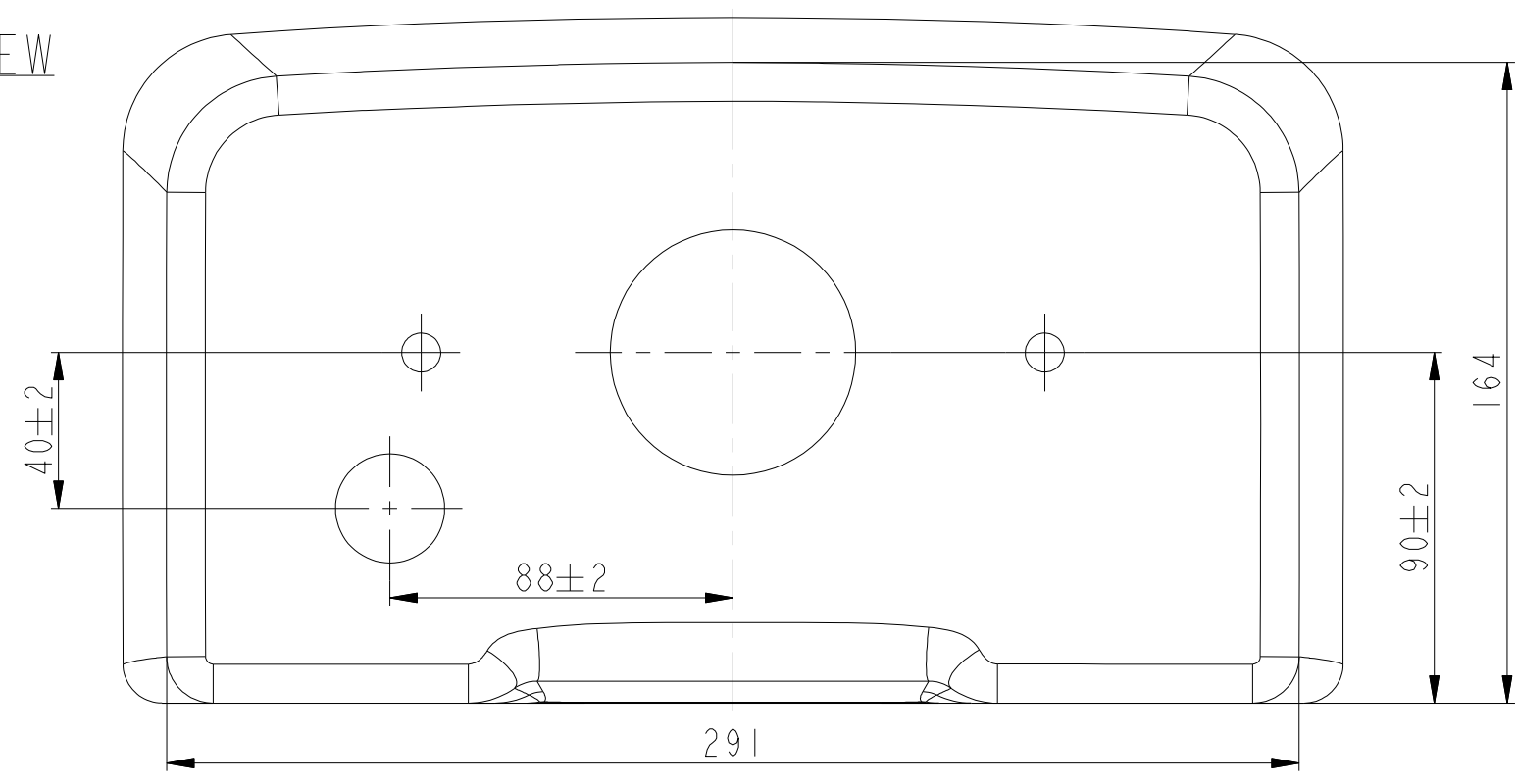
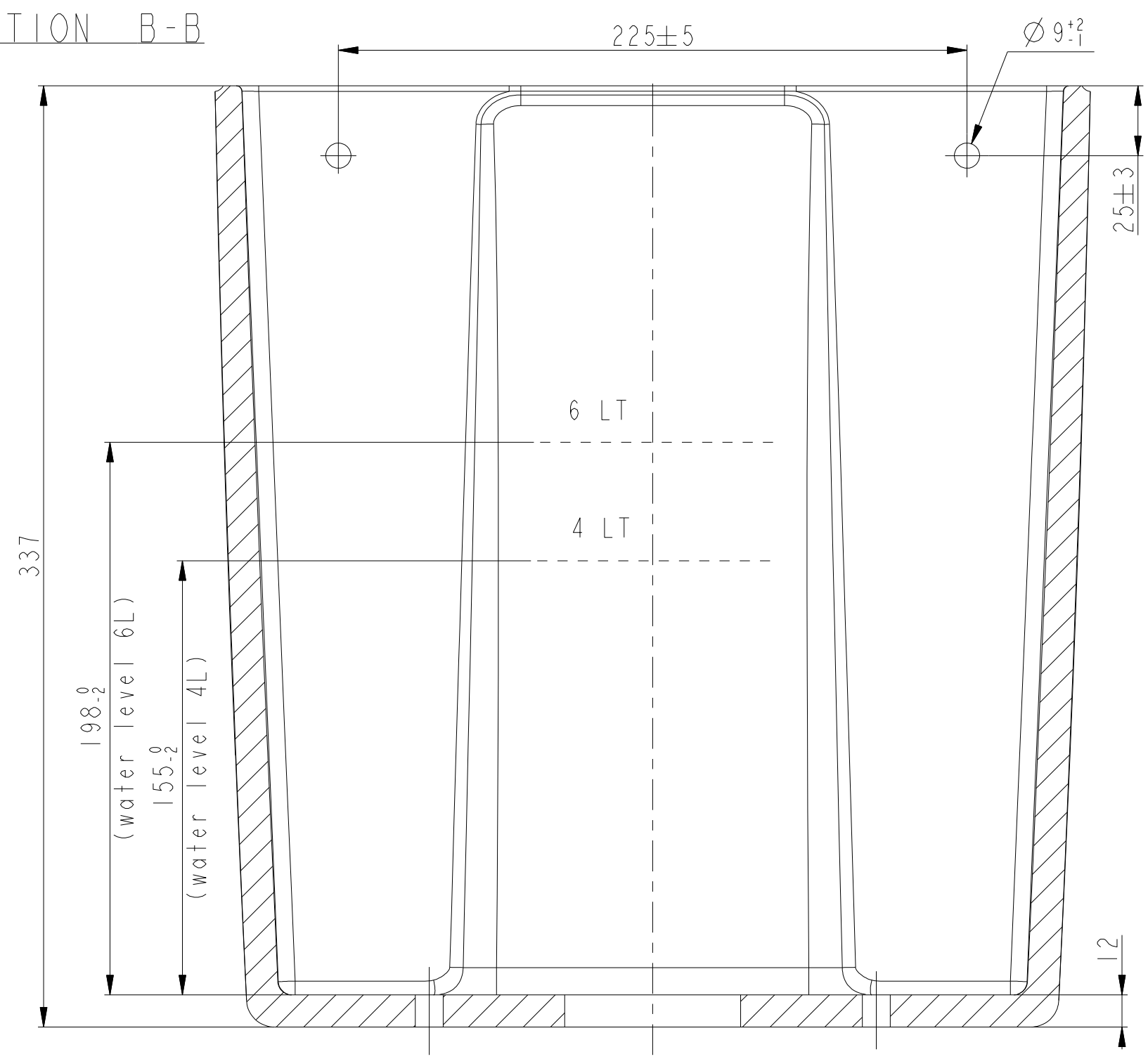


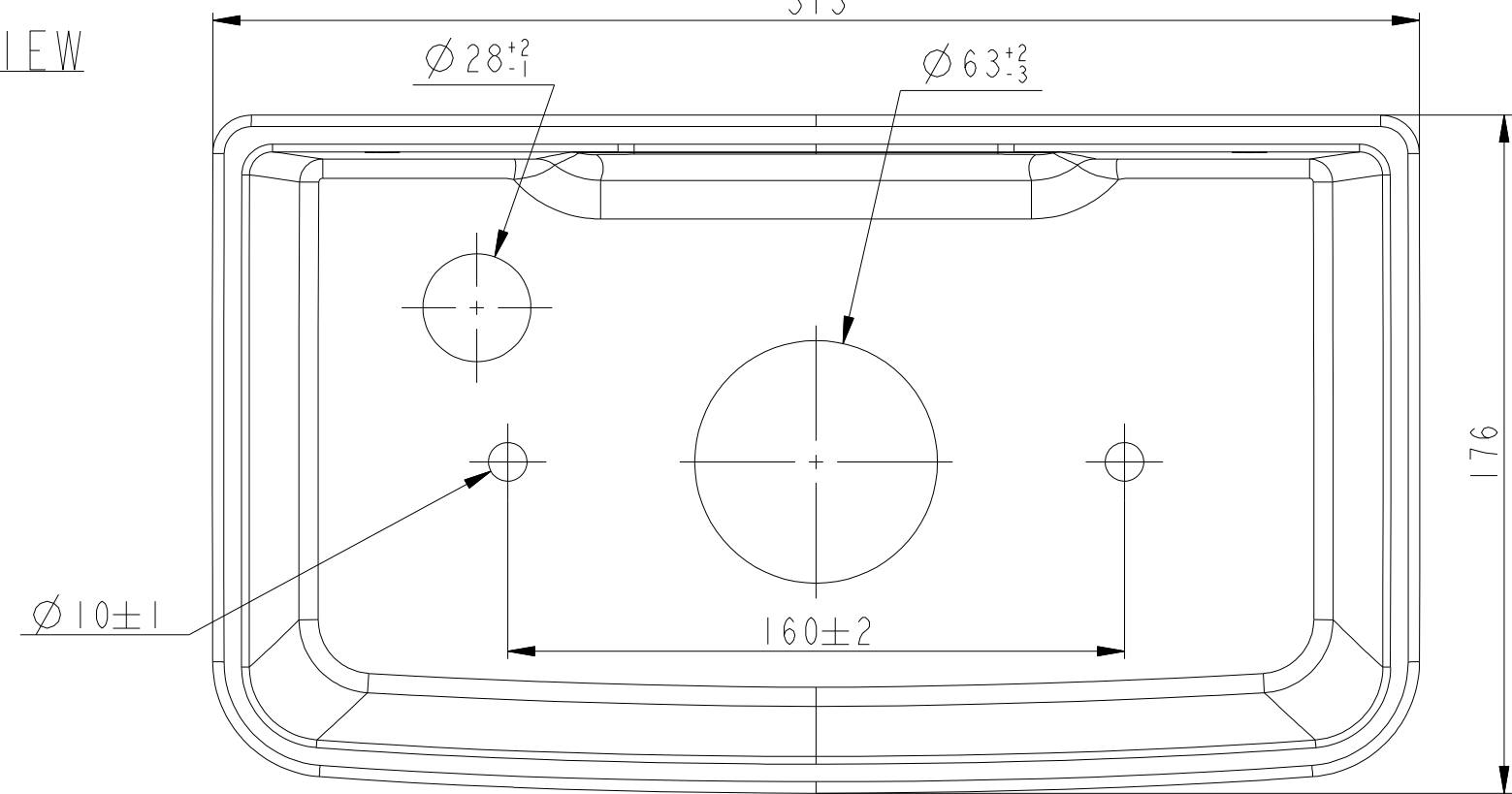
BOTTOM_VIEW



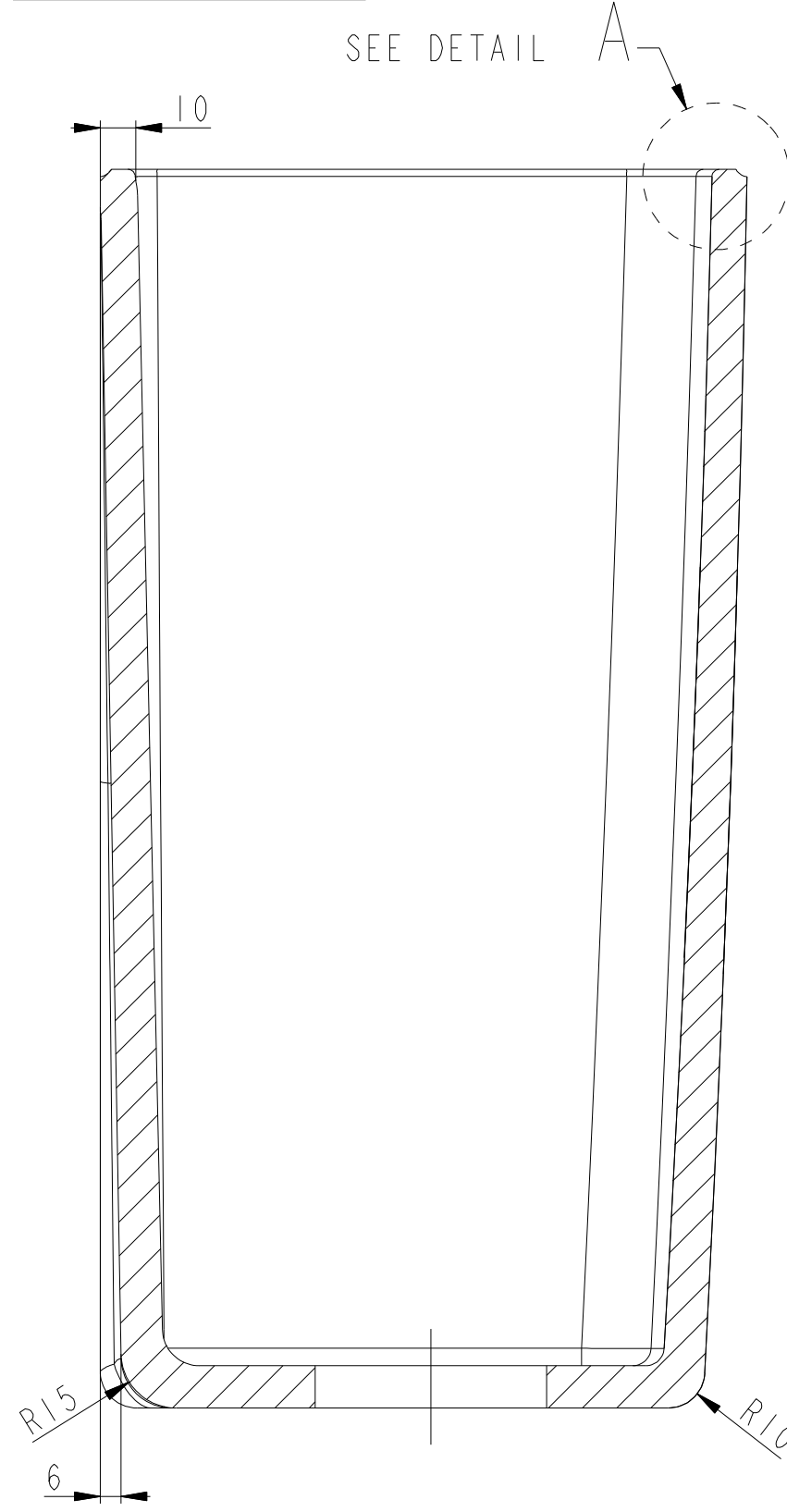
SECTION B-B



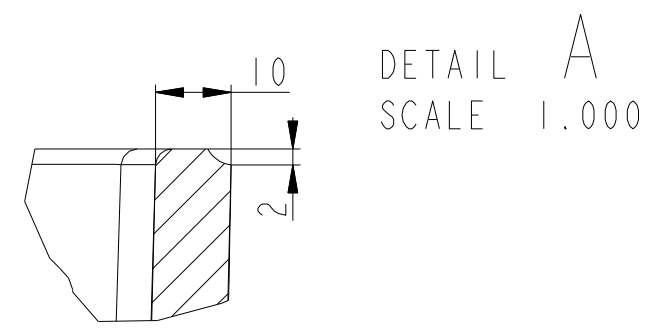
TOP_VIEW



SECTION A-A

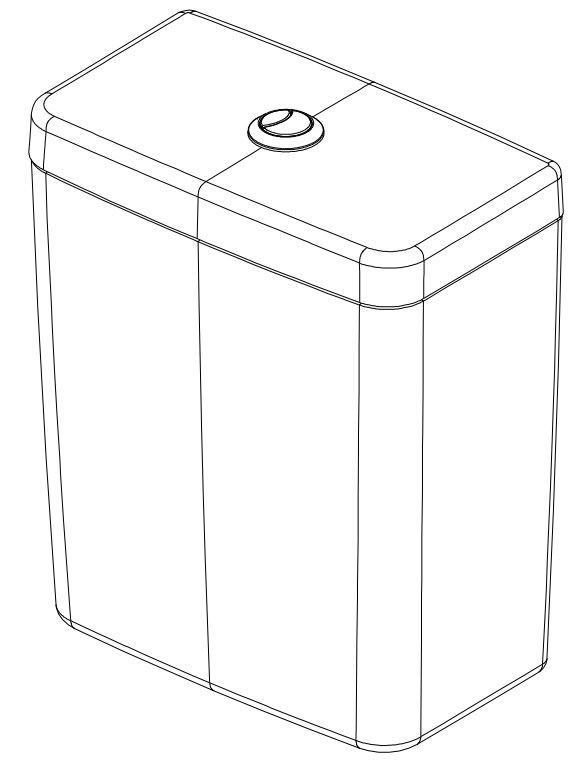


SEE DETAIL A

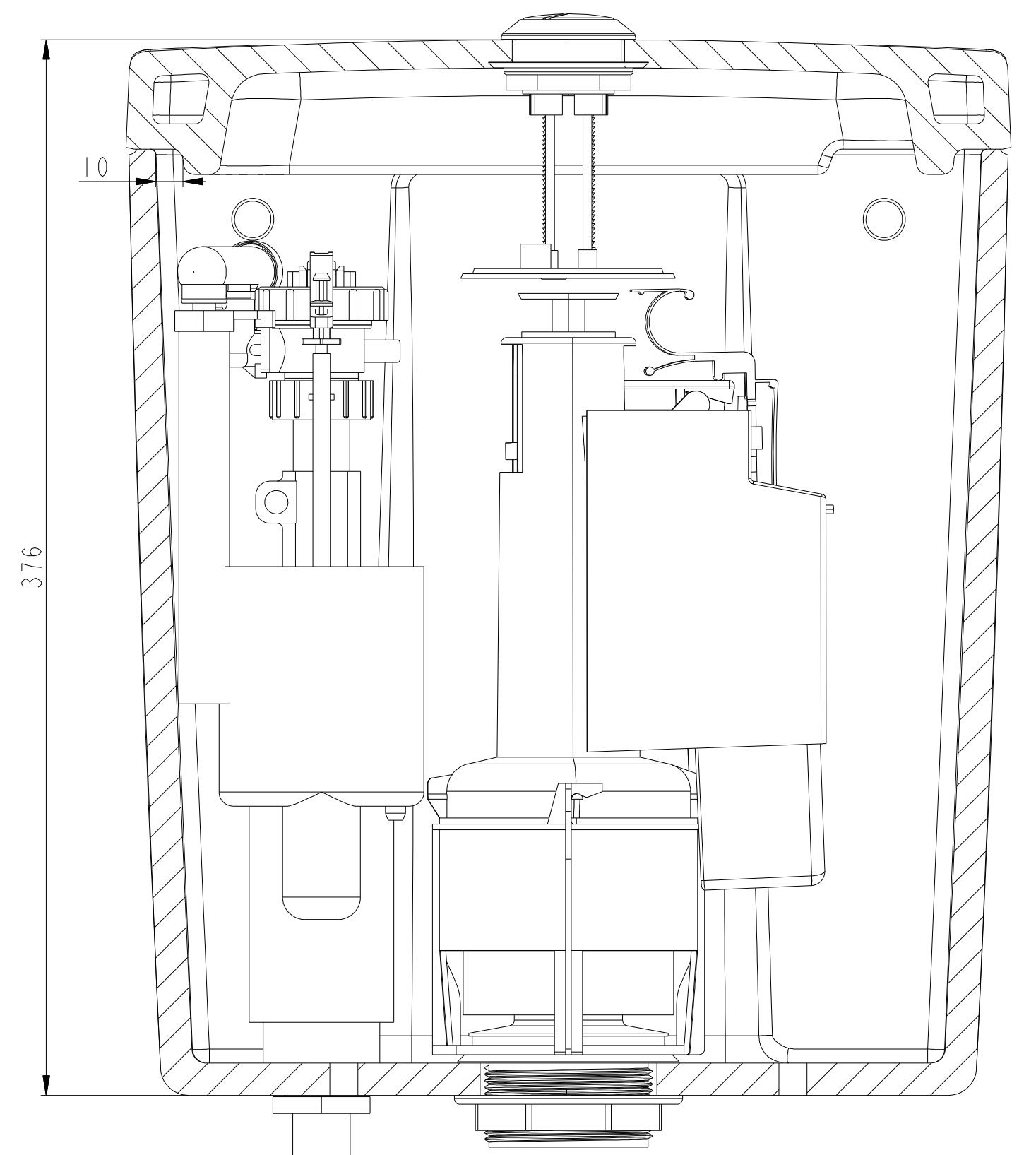


DETAIL A
SCALE 1.000

FIRST ANGLE PROJECTION



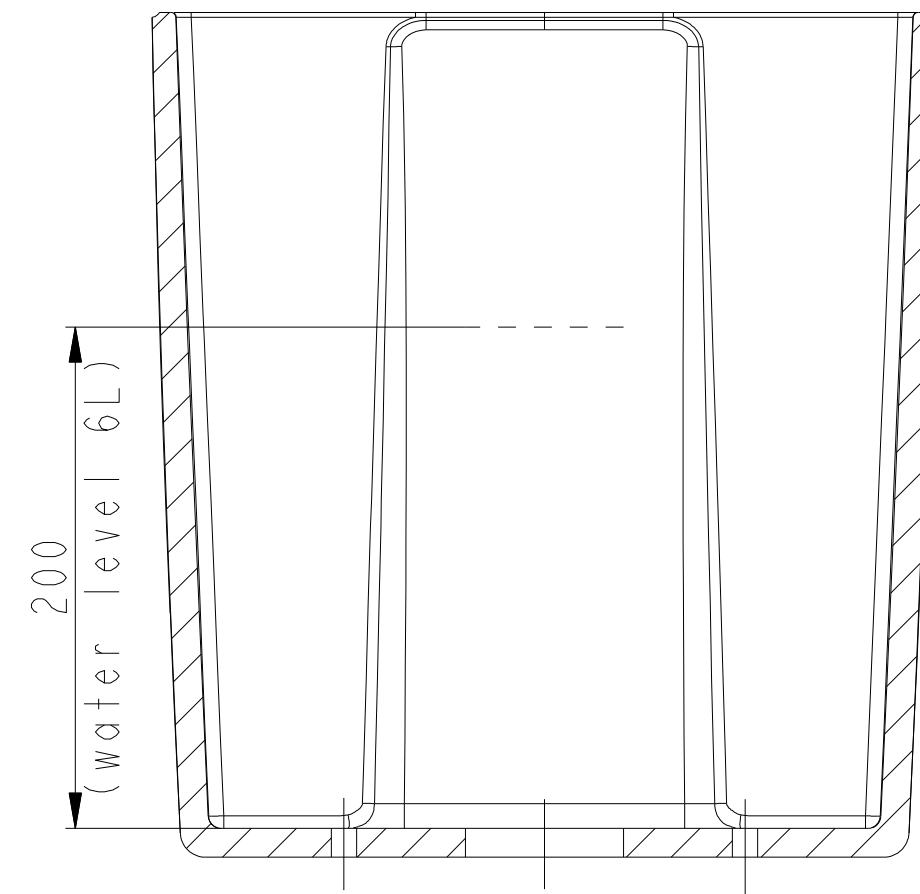
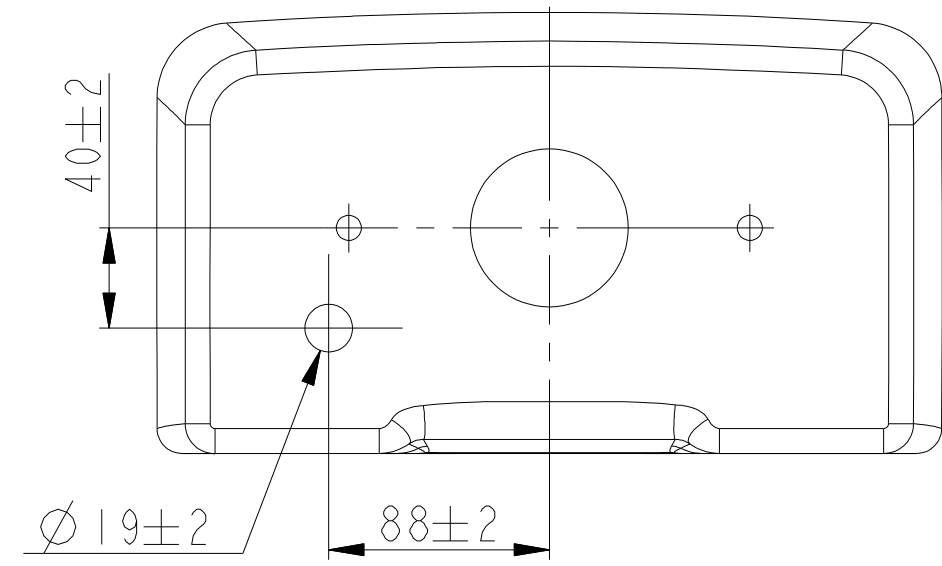
ASSEMBLY E7859/E7889



MATERIAL:	VC	TOLERANCES UNLESS STATED OTHERWISE
FINISH:	GLAZED	
SEE QUALITY MANUAL FOR OTHER GENERAL TOLERANCES		V.C. NOT LESS THAN 75mm ±2% V.C. LESS THAN 75mm F.F.C.

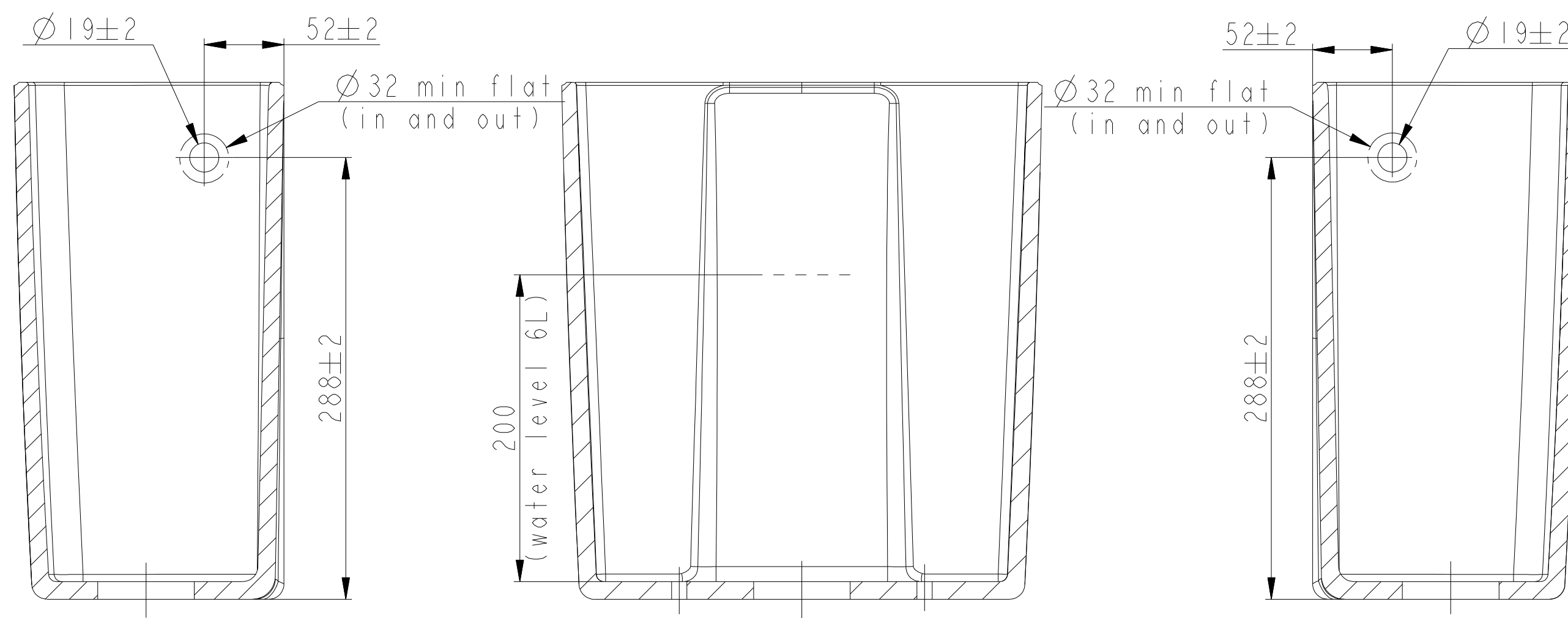
Drawn by: NoevV	CAD eng: KoichevP	Suite Name: concept	IDEAL STANDARD	
Date: 21-Sep-07			Drw rev.ver	Master rev.ver.
Sheet Size: A2	Scale: 0.500	Drawing No: E7859	2.4	2.4
Sheet number: 1/9				

This document is the property of IDEAL STANDARD, it can neither be reproduced, nor communicated, without their authorization.



SECTION B - B

E7970 - PORCHER TANK TRIM, BOTTOM INLET



SECTION B - B

E7971 - PORCHER TANK TRIM, SIDE INLET